

8 7 6 5 4 3 2 1

F

F

E

E

D

D

C

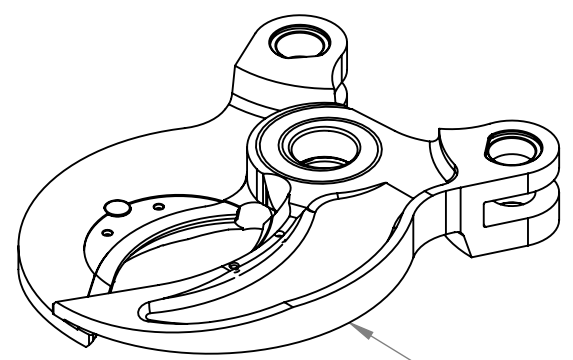
C

B

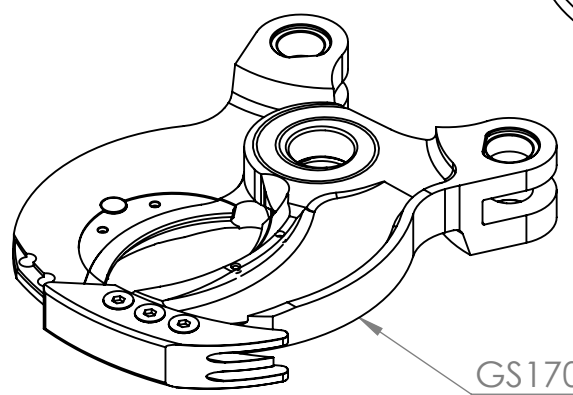
B

A

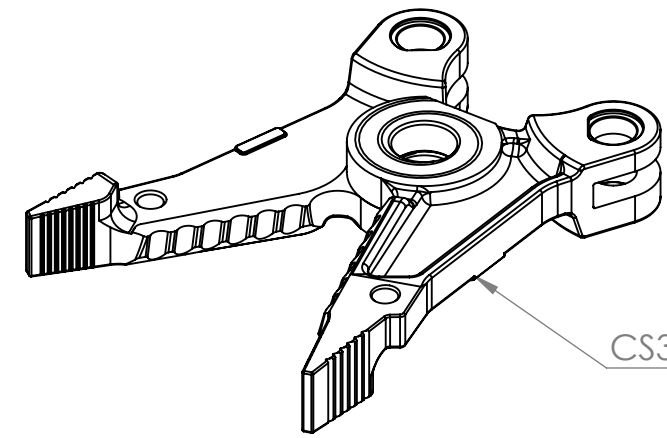
A



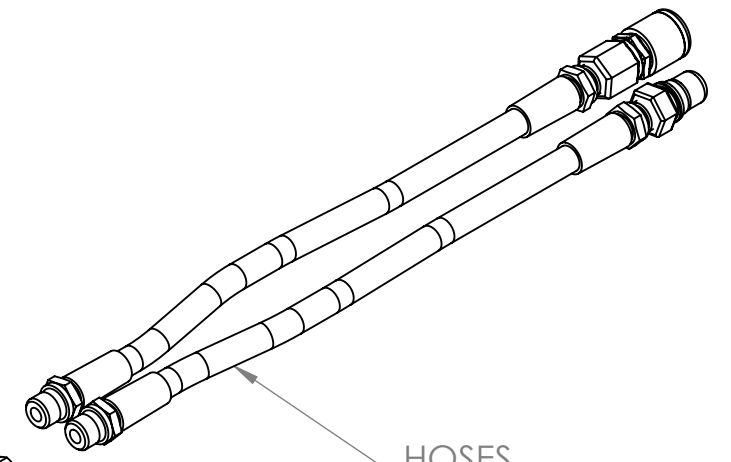
MS250 BLADES



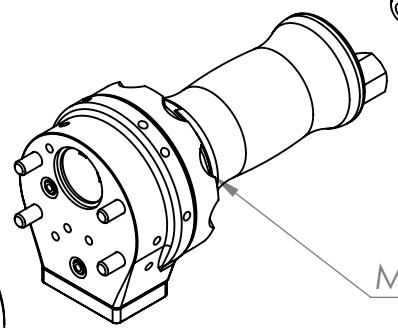
GS170 BLADES



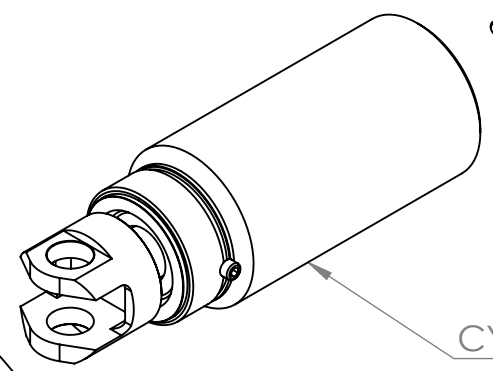
CS350 BLADES



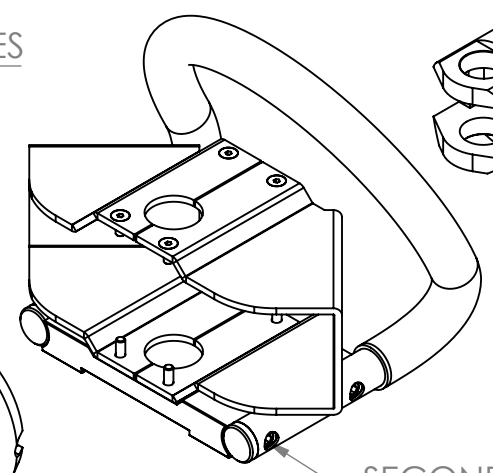
HOSES



MAIN HANDLE

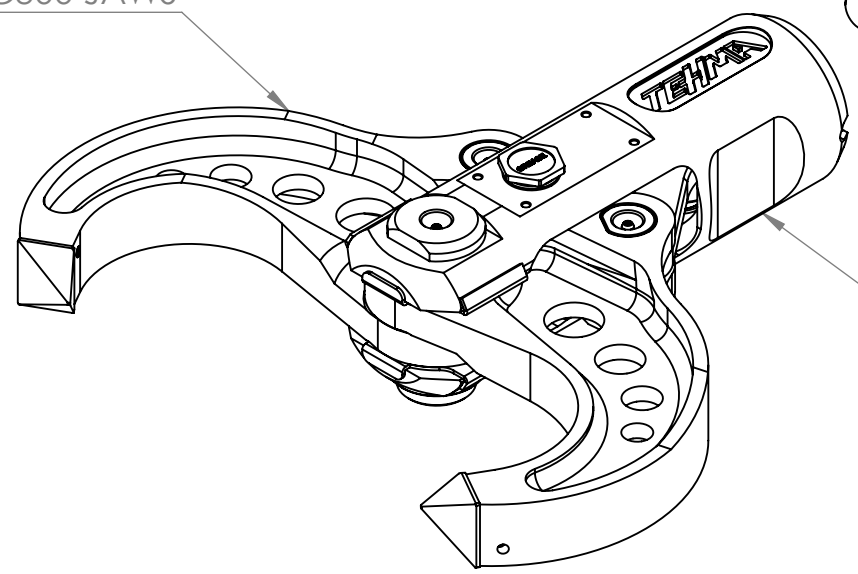


CYLINDER



SECONDARI HANDLE

CC300 JAWS



HEAD

3.2 / 1.2

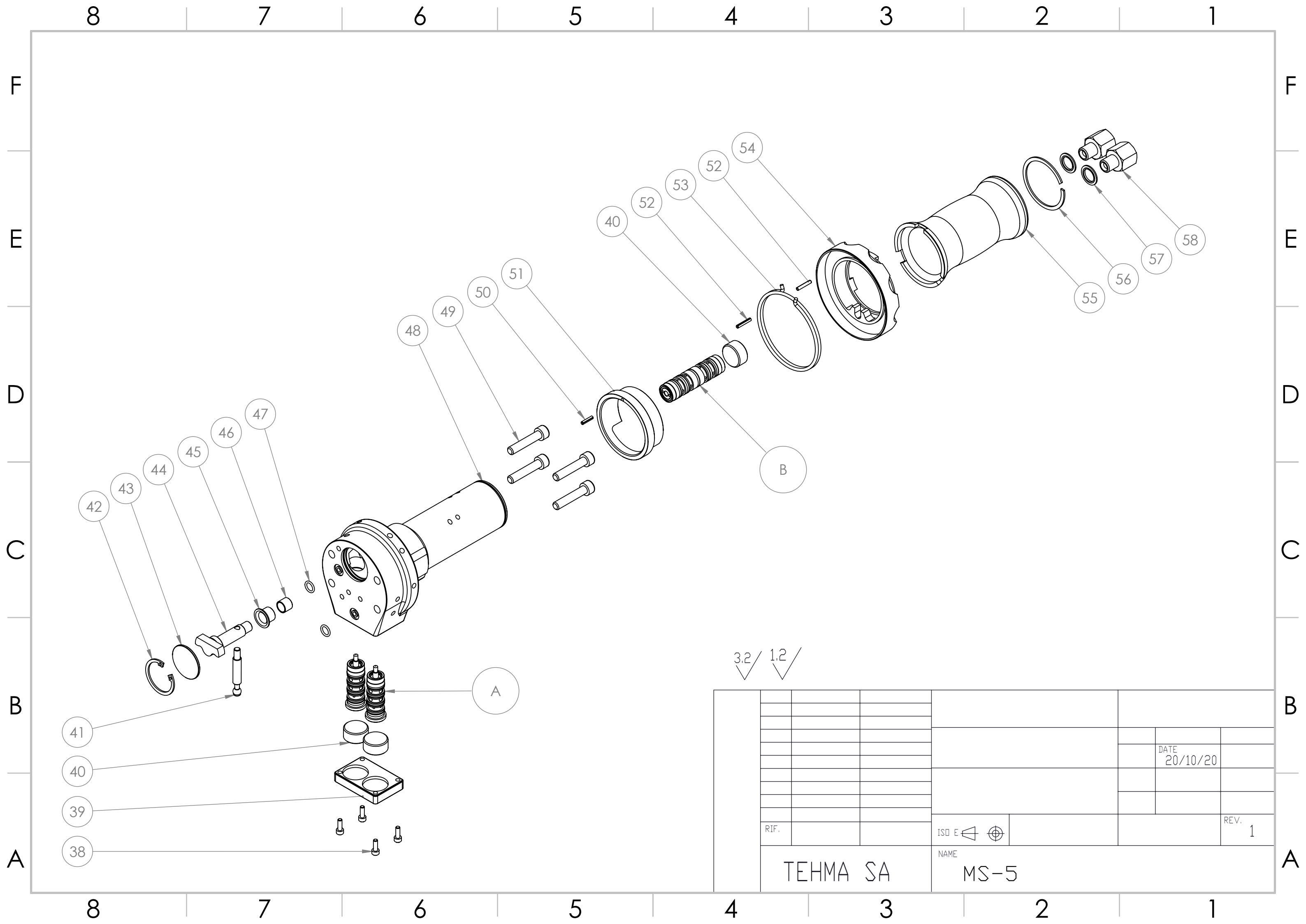
				DATE 20/10/20	
				REV. 1	
RIF.		ISD E		NAME	
TEHMA SA		MS-1			

8 7 6 5 4 3 2 1









RIF.		ISD E		DATE	
TEHMA SA		MS-5		20/10/20	
		NAME		REV.	
				1	

8 7 6 5 4 3 2 1

F

F

E

E

D

D

C

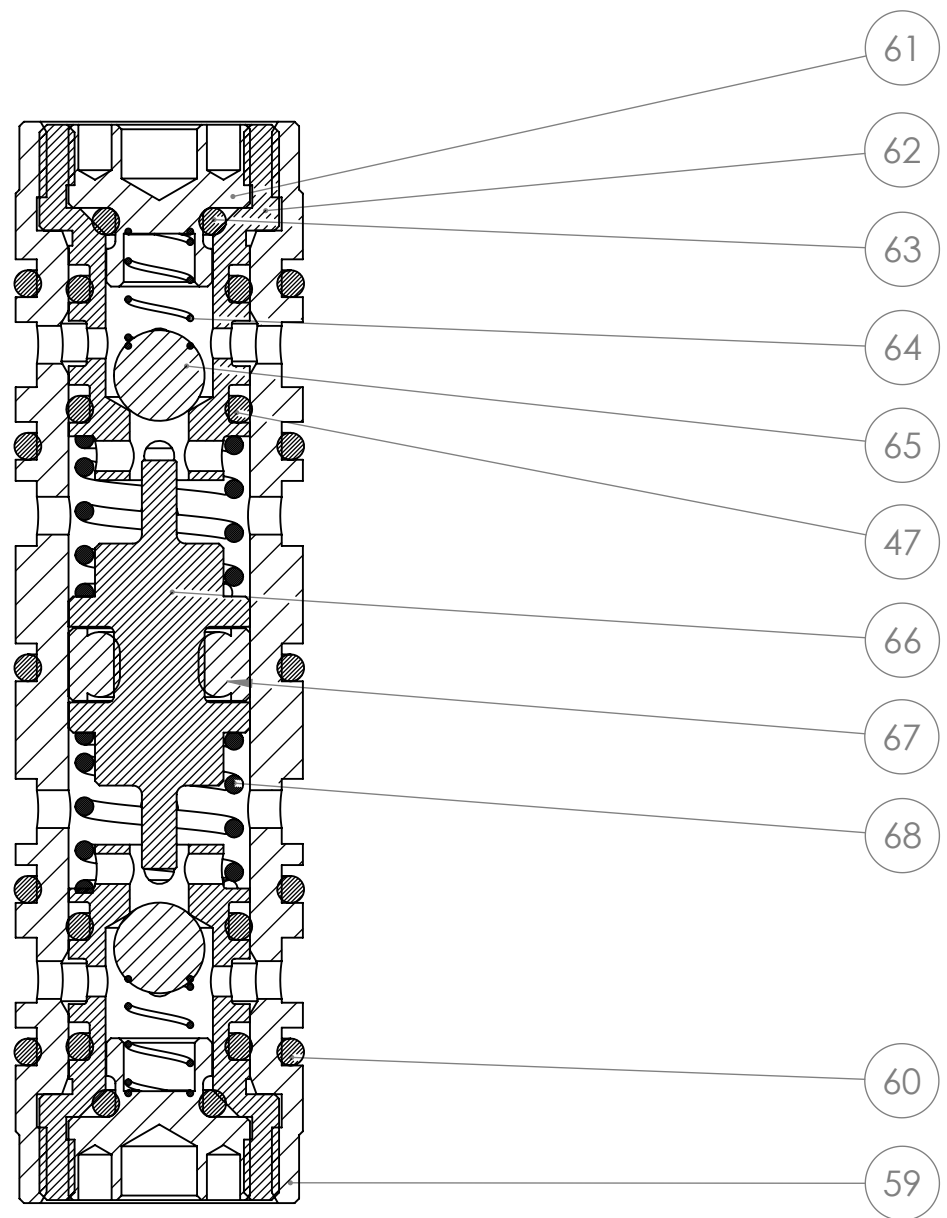
C

B

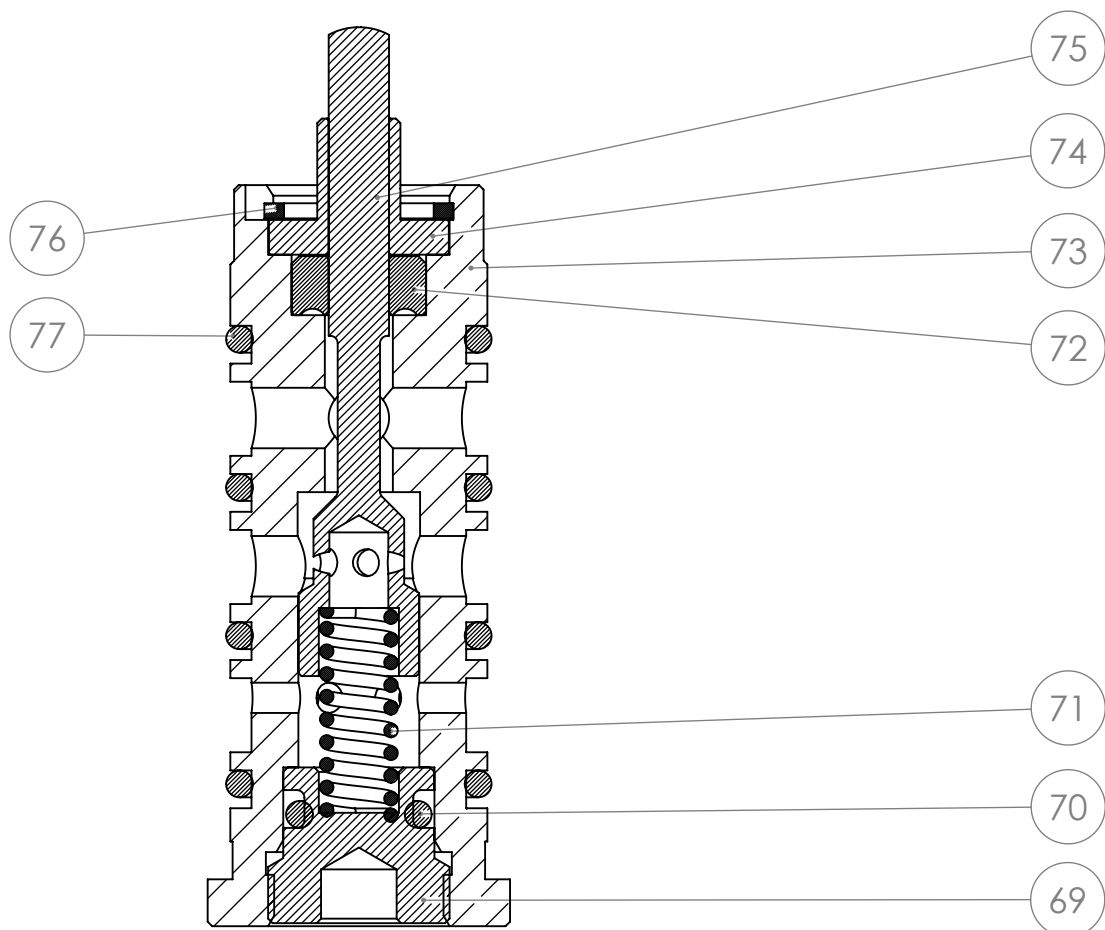
B

A

A



B



A

3.2 / 1.2

RIF.	TEHMA SA	NAME MS-6	ISD E		REV. 1	DATE	20/10/20

8 7 6 5 4 3 2 1











CC300 Parts lists ve. 6 - Tehma SA

Position	Code	Description	Quantity	Price Group
1A	TE300002	Elastic pin 6x26 UNI 6873	2	1
2A	TE702308	Tip	2	XX
3A	TE631006	Key 5x5x8 UNI 6604/A	2	1
4	TE621100	Screw TCE M12x1.25X25 HIGH STRENGTH	1	3
5	TE701162	Central flange jaws	1	12
6	TE401114	Jaws spacer	2	13
7	TE621101	Screw M8x8 UNI 5929-67	1	1
8	TE701158	Cap M30x1.5	1	6
9	TE601025	Greaser M6 UNI 7663A	4	1
10	TE701161	Central pivot jaws	1	19
11	TE701173	Jaws fork	1	30
12	TE701156	Central pivot rods	1	15
13	TE701157	Side pivot cap	2	7
13A	TE701160	Rods pivot cap	1	7
14	TE621094	Screw TCE M6x10 UNI 5931 HIGH STRENGTH	3	1
15	TE701159	Side pin connecting rods	2	15
16A	TE700014	Jaw	2	XX
17	TE700015	Connecting rod	2	19
18	TE621098	Screw TCE M5x20 UNI 5931 HIGH STRENGTH	4	1
19	TE401112	Protection jaws	2	16
20	TE621097	Screw TSP M5x12 UNI 5933	4	1
21	TE711009	Handle plate	1	16
22	TE621099	Screw TCE M6x30 UNI 5931	4	1
23	TE701154	Handle insert	2	9
24	TE901109	Coated handle	1	21
25	TE701152	Piston stem	1	26
26	TE651018	Stem scraper	1	3
27	TE651016	Piston ring D30x4x2.5	1	5
28	TE651017	Piston sealing ring	1	8
29	TE701153	Cylinder flange	1	13
30	TE651014	Ring BKC 156	1	7
31	TE651015	O-ring 156 52.39x3.53	1	2
32	TE651013	O-ring 3100 25.07x2.62	1	2
33	TE701151	Piston D60	1	17
34	TE651011	Piston ring D60x6.1x2.5	2	8
35	TE651012	Piston gasket	1	11
36	TE621096	Screw TCE M6x6 UNI 5931	2	1
37	TE701146	Cylinder	1	24
38	TE621095	Screw TCE M4x12	4	1
39	TE711008	Base	1	12

40	TE62001	Cap M24x1.5 DIN 906	3	2
41	TE701143	Pin	1	8
42	TE671013	Seeger ring 36 I	1	1
43	TE701142	Balance wheel spacer	1	6
44	TE701141	Balance wheel	1	10
45	TE611036	Bushing INA PAF 12120p10	1	8
46	TE611035	Bushing INA PAP1010P10 10x12x10	1	3
47	TE651008	O-ring 108 8.73x1.78	6	2
48	TE711007	Handle block	1	29
49	TE621108	Screw TCE M8x40 UNI 5931	4	1
50	TE631005	Elastic pin 3x10 UNI 6875	1	1
51	TE701144	Bushing sleeve	1	11
52	TE631007	Elastic pin 3x18 UNI 6875	2	1
53	TE501026	Return spring	1	12
54	TE701145	Command grip	1	16
55	TE701140	Plastic handle	1	17
56	DX671022	Ring WR 50	1	4
57	TE651032	1/4 G Bond washer	2	3
58	TE702646	Joint 1/4G-3/8	2	10
59	TE701148	Non-return valve	1	B*
60	TE651006	O-ring 2062 15.6x1.78	5	2
61	TE701150	Spring cap	2	B*
62	TE701149	Ball cap	2	B*
63	TE651007	O-ring 2021 5.28x1.78	2	2
64	TE501016	Ball spring	2	B*
65	TE611033	Ball d. 6 class II	2	B*
66	TE701132	Spool	1	B*
67	TE651009	Spool gasket	1	B*
68	TE501017	Spool spring	2	B*
69	TE70007	3 ways cap	1	A*
70	TE651010	O-ring 2025 6.07x1.78	1	2
71	TE50001	Piston spring	1	A*
72	TE65001	dipstick gasket ring	1	A*
73	TE701147	3 ways valve	1	A*
74	TE70006	3 ways bush	1	A*
75	TE70005	3 ways valve piston	1	A*
76	TE671014	Ring BR 12 INA	1	A*
77	TE651005	O-ring 2056 14x1.78	4	2
78	ED_tubo	Pipe 1/2 SAE x 500	2	19
79	A161025	Female coupling 3/8	1	20
80	A161026	Male coupling 3/8	1	15
NOTE:	* Identifies components sold exclusively as VALVE KIT			
	XX Identifies components with a different Price list			
TEHMA SA - Vicolo Concordia 1, 6932 Lugano Breganzona - Tel +41 (0)91 210 31 82				