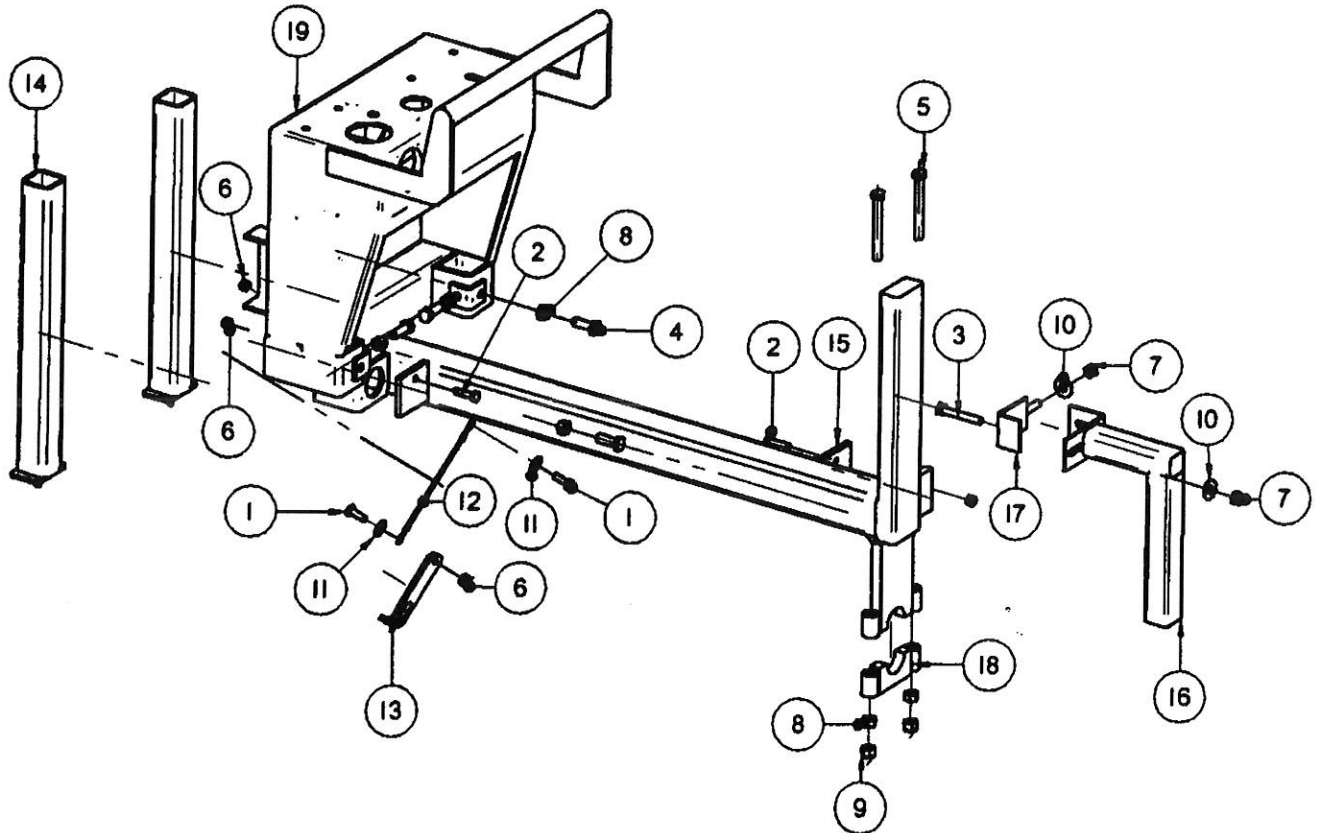


FRAME ASSEMBLY



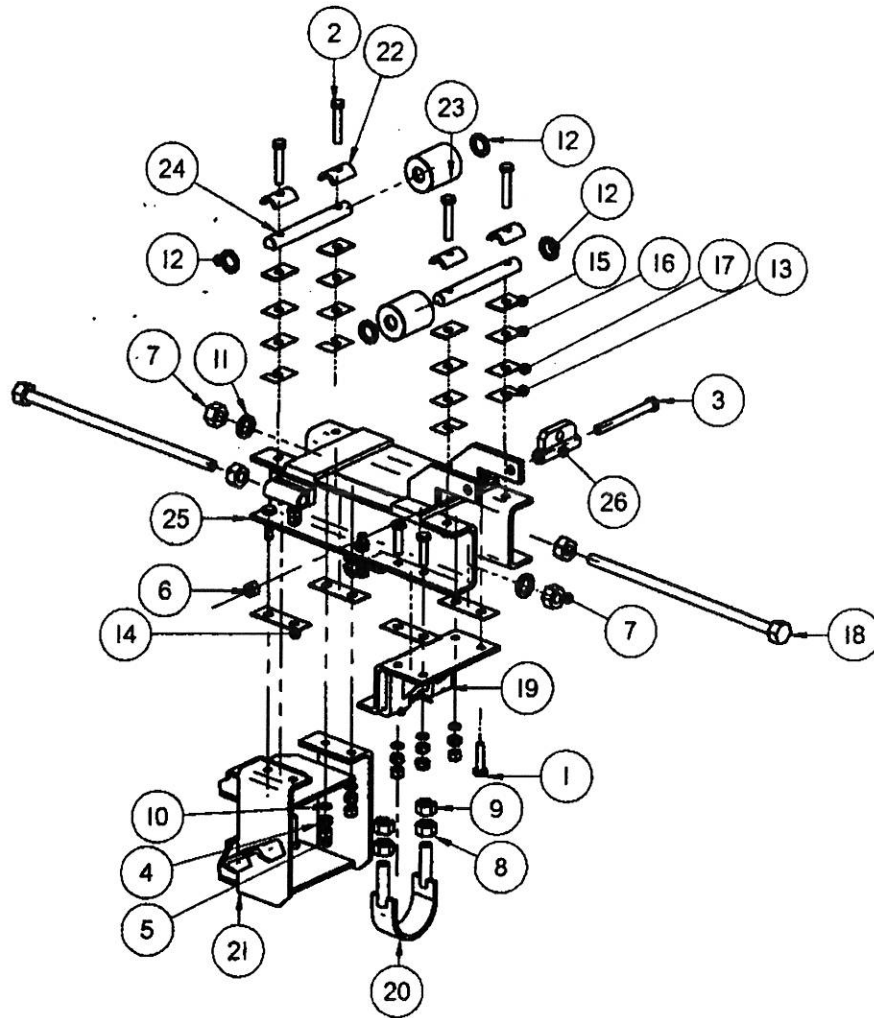
FNG8300-01

FRAME ASSEMBLY

Item Number	File Name	Quantity	Description
1	2501BLT.par	2	1/4" X 3/4" BOLT
2	2503BLT.par	2	1/4" X 1" BOLT
3	2530BLT.par	1	5/16" X 2" BOLT
4	2538BLT.par	4	3/8" X 1" BOLT
5	2547BLT.par	2	3/8" X 3" BOLT
6	2716NUT.par	4	1/4" NYLON LOCK NUT
7	2719NUT.par	2	5/16" NYLON LOCK NUT
8	2725NUT.par	6	3/8" STANDARD NUT
9	2727NUT.par	2	3/8" LOCKNUT
10	2800WAS.par	2	5/16" FLAT WASHER
11	2801WAS.par	2	1/4" FLAT WASHER
12	3030PIN.par	1	6" LANYARD WITH LOOPS
13	CRA0218.par	1	CARRIAGE LOCK
14	MFA0603.par	2	REAR LEG
15	MFA0627.par	2	STOP PAD
16	MFA0636.par	1	FRONT STABILIZER BAR
17	MFA0638.par	1	STABILIZER BAR CLAMP
18	MFA06390.par	1	BIT GUIDE
19	MNF05061.par	1	MAIN FRAME

FNG8300-01

CARRIAGE ASSEMBLY



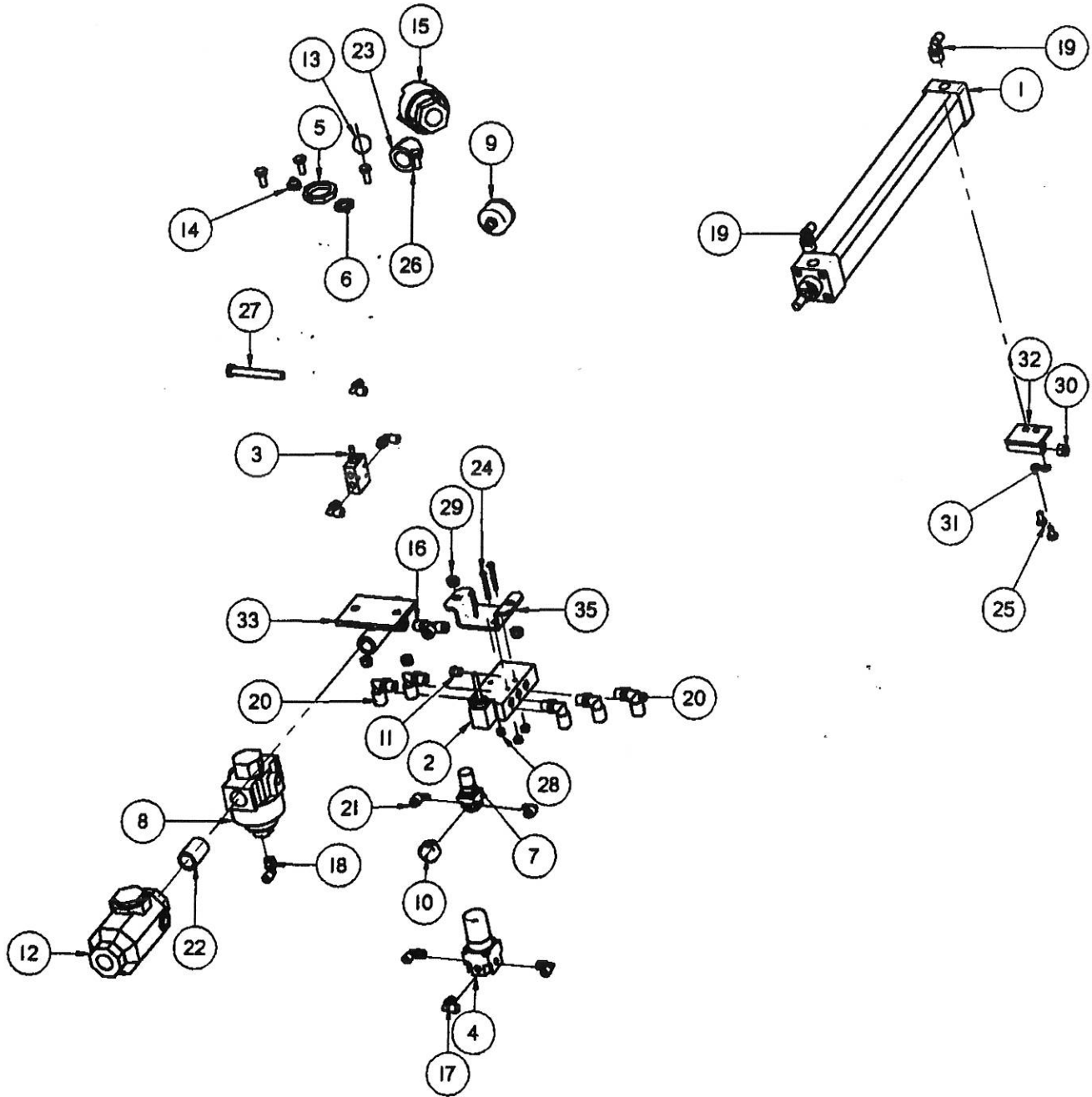
FNG8300-02

CARRIAGE ASSEMBLY

Item Number	File Name	Quantity	Description
1	2524BLT.par	5	5/16" x 1 1/4" BOLT
2	2526BLT	5	5/16" X 1-1/2" BOLT
3	2550BLT.par	1	3/8" X 3 1/2" BOLT
4	2717NUT.par	7	5/16" STANDARD NUT
5*	2719NUT.par	10	5/16" NYLON LOCK NUT
6	2727NUT.par	1	3/8" LOCKNUT
7	2731NUT.par	4	1/2" COIL ROD NUT
8	2732NUT.par	2	1/2" STANDARD NUT
9	2734NUT.par	2	1/2" LOCKNUT
10	2810WAS.par	7	5/16" LOCK WASHER
11	2832WAS.par	2	1/2" WASHER
12	2840WAS.par	4	5/8" 14GA. WASHER
13*	7009TAB.par	5	STAINLESS STEEL SHIM (AS NEEDED)
14*	7010TAB.par	4	16 GA. TWO HOLE SHIM
15*	7011TAB.par	5	12 GA. SHIM (AS NEEDED)
16*	7012TAB.par	5	18 GA. SHIM (AS NEEDED)
17*	7013TAB.par	5	22 GA. SHIM (AS NEEDED)
18	CRA02021.par	2	STOP ROD
19	CRA02205.par	1	FRONT TOP DRILL BRACKET MOD. 85
20	CRA02206.par	1	FRONT BOTTOM DRILL BRACKET MOD. 85
21	CRA02207.par	1	REAR DRILL BRACKET MOD. 85
22	CRA0230.par	5	BEARING KEEPER
23	CRA02330.par	3	ROLLER BEARING DRUM MOD. 150
24	CRA02342.par	3	ROLLER BEARING AXLE MOD. 150
25	CRG01065.par	1	MODEL 85 CARRIAGE
26*	MFA06400.par	1	CLEVIS

FNG8300-02

CONTROL PANEL ASSEMBLY



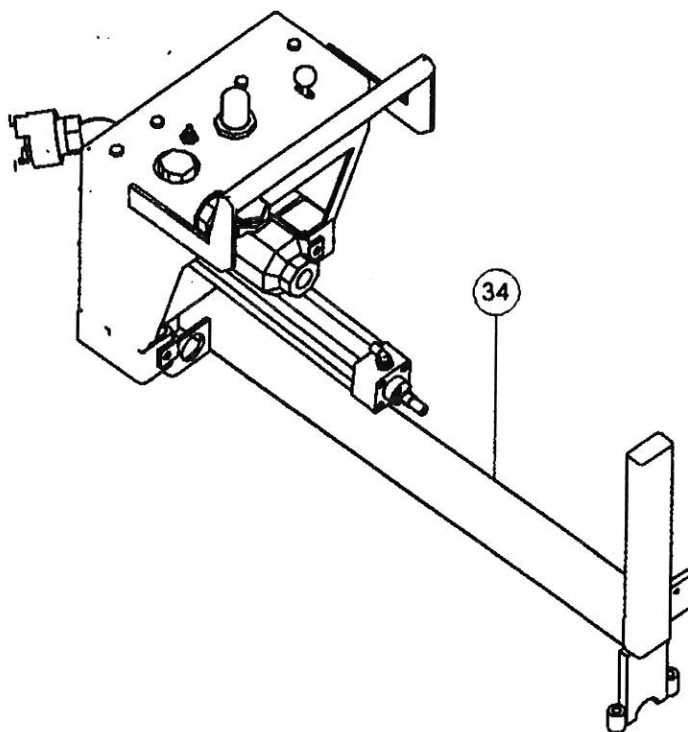
FNG8300-03

CONTROL PANEL ASSEMBLY

Item Number	File Name	Quantity	Description
1	05101057 CYL	1	Feed Cylinder
2	060102VAL.par	1	3 WAY POSITION VALVE
3	06095VAL.par	1	TOGGLE SWITCH
4	0810IREG.par	1	REGULATOR 0-125 MAX PSI. 1/8" PORTS
5	08103REG.par	1	REGULATOR LOCK RING
6	08108REG.par	1	LOCK RING FOR 08108REG
7	08108REG.par	1	REGULATOR WITH 0-125 MAX PSI
8	08113REG.par	1	3/4" REGULATOR
9	09022GAU.par	1	GAUGE 0-60 1/8" MPT
10	09024GAU.par	1	GAUGE 0-150 MAX PSI
11	1001BRV.par	1	1/8" BREATHER VENT
12	16010IL.par	1	3/4" PINT OILER
13	17420IRPT.par	1	KNOB
14	1828GRO.par	1	RED BOOT FOR 06095VAL
15	20090FIT.asm	1	3/4" AUTO LOCKING QUICK COUPLING
16	2035FIT.par	1	1/4" X 1/4" MALE RUN T
17	2050FIT.par	6	1/4" TO 1/8" 90 DEG. FITTING
18	2051FIT.par	1	1/4" TO 1/4" 90 DEG. FITTING
19	2052FIT.par	2	1/4" TO 3/8" 90 DEG. FITTING
20	2053FIT.par	5	3/8" TO 1/4" MALE 90
21	20754FIT.par	2	1/4" to 10/32" 90 DEG. FITTING
22	2114PFT.par	1	3/4" X 1 1/2" NIPPLE
23	2148PFT.par	1	3/4" 45 DEG. STREET ELL
24	2478BLT.par	3	8/32" X 1 1/2" BOLT
25	2502BLT.par	2	1/4" X 1/2" BOLT
26	2519BLT.par	4	5/16" X 3/4" BOLT
27	2547BLT.par	1	3/8" X 3" BOLT
28	2712NUT.par	3	8/32" NYLON LOCK NUT
29	2719NUT.par	4	5/16" NYLON LOCK NUT
30	2727NUT.par	1	3/8" LOCKNUT
31	2802WAS.par	2	1/4" LOCK WASHER
32	MFA0637I.par	1	CYLINDER MOUNT
33	MFA0677.par	1	MANIFOLD
34	MNF0506I.par	1	MAIN FRAME
35	SRUI3460.psm	1	VALVE SPACER

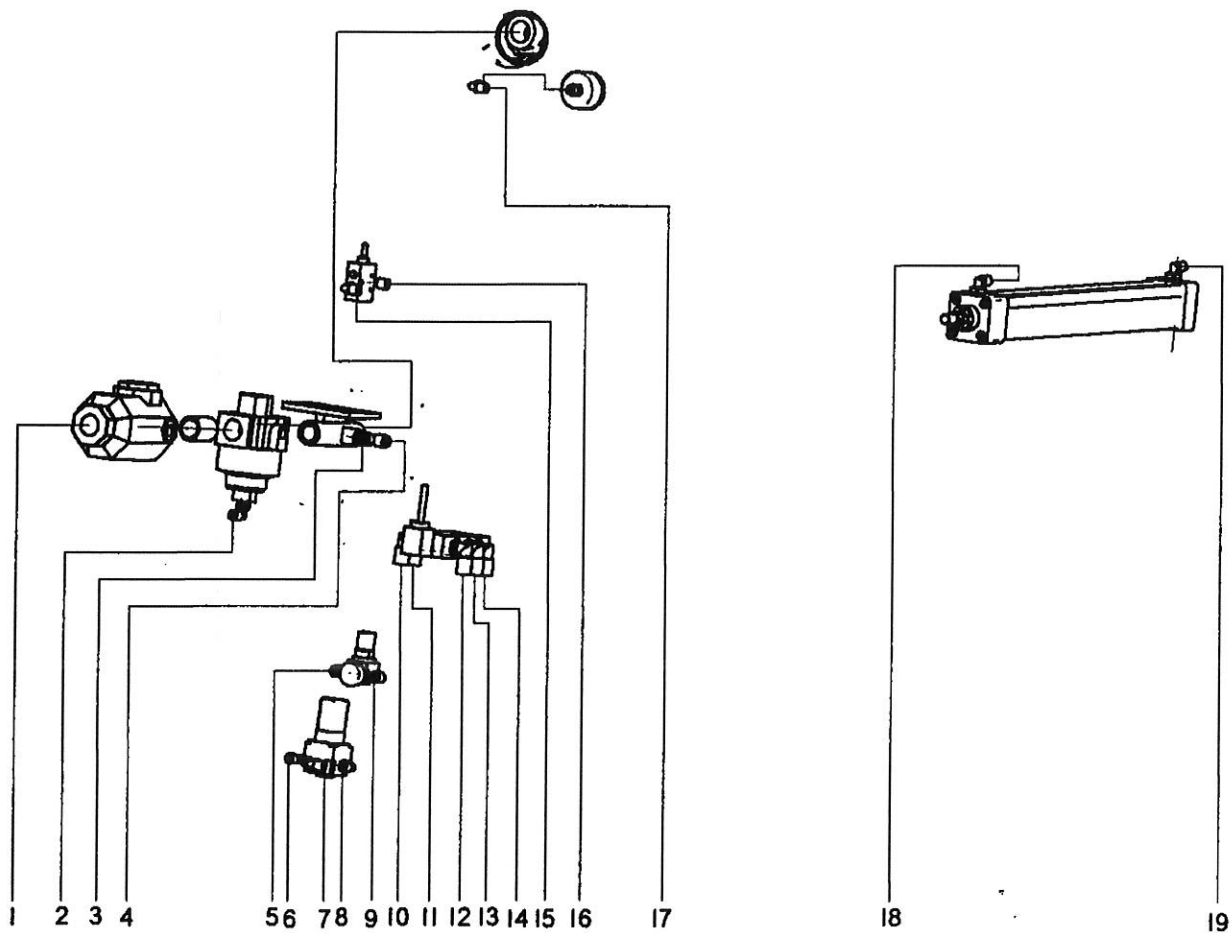
FNG8300-03

CONTROL PANEL ASSEMBLY



FNG8300-03

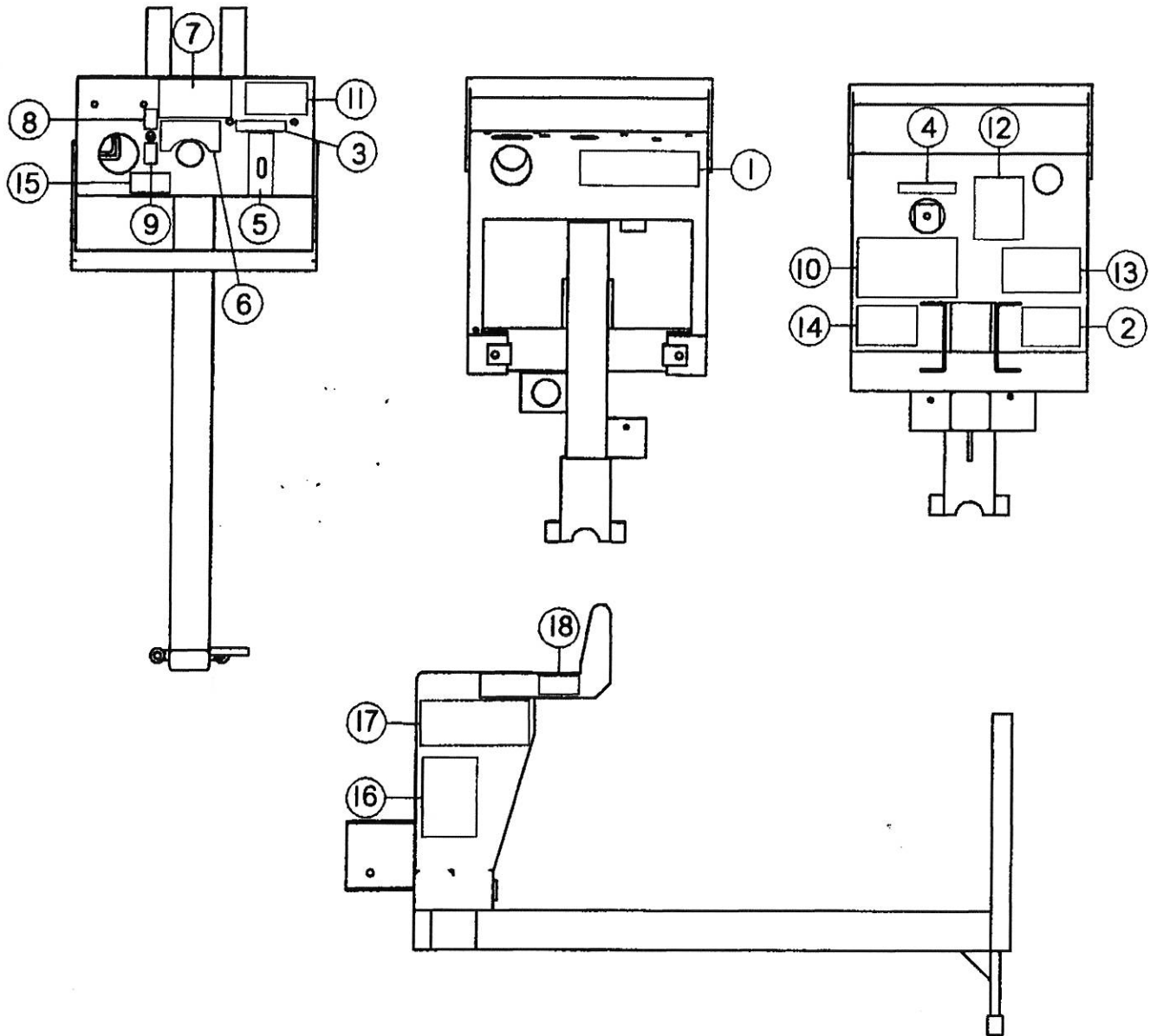
CONTROL PANEL ASSEMBLY



- | | |
|--------------------------------|--------------------------------|
| 1. FROM I6010IL TO DRILL MOTOR | 11. FROM 060102VAL TO 0510ICYL |
| 2. FROM 08113REG TO 06095VAL | 12. 060102VAL EXHAUST |
| 3. FROM MFA0677 TO 060102VAL | 13. FROM 060102VAL TO MFA0677 |
| 4. FROM MFA0677 TO 060102VAL | 14. 060102VAL EXHAUST |
| 5. FROM 08108REG TO 06095VAL | 15. FROM 06095VAL TO 08113REG |
| 6. FROM 0810IREG TO 060102VAL | 16. FROM 06095VAL TO 08108REG |
| 7. FROM 0810IREG TO 09022GAU | 17. FROM 09022GAU TO 0810IREG |
| 8. FROM 0810IREG TO 0510ICYL | 18. FROM 0510ICYL TO 060102VAL |
| 9. FROM 08108REG TO MFA0677 | 19. FROM 0510ICYL TO 08108REG |
| 10. FROM 060102VAL TO 0810IREG | |

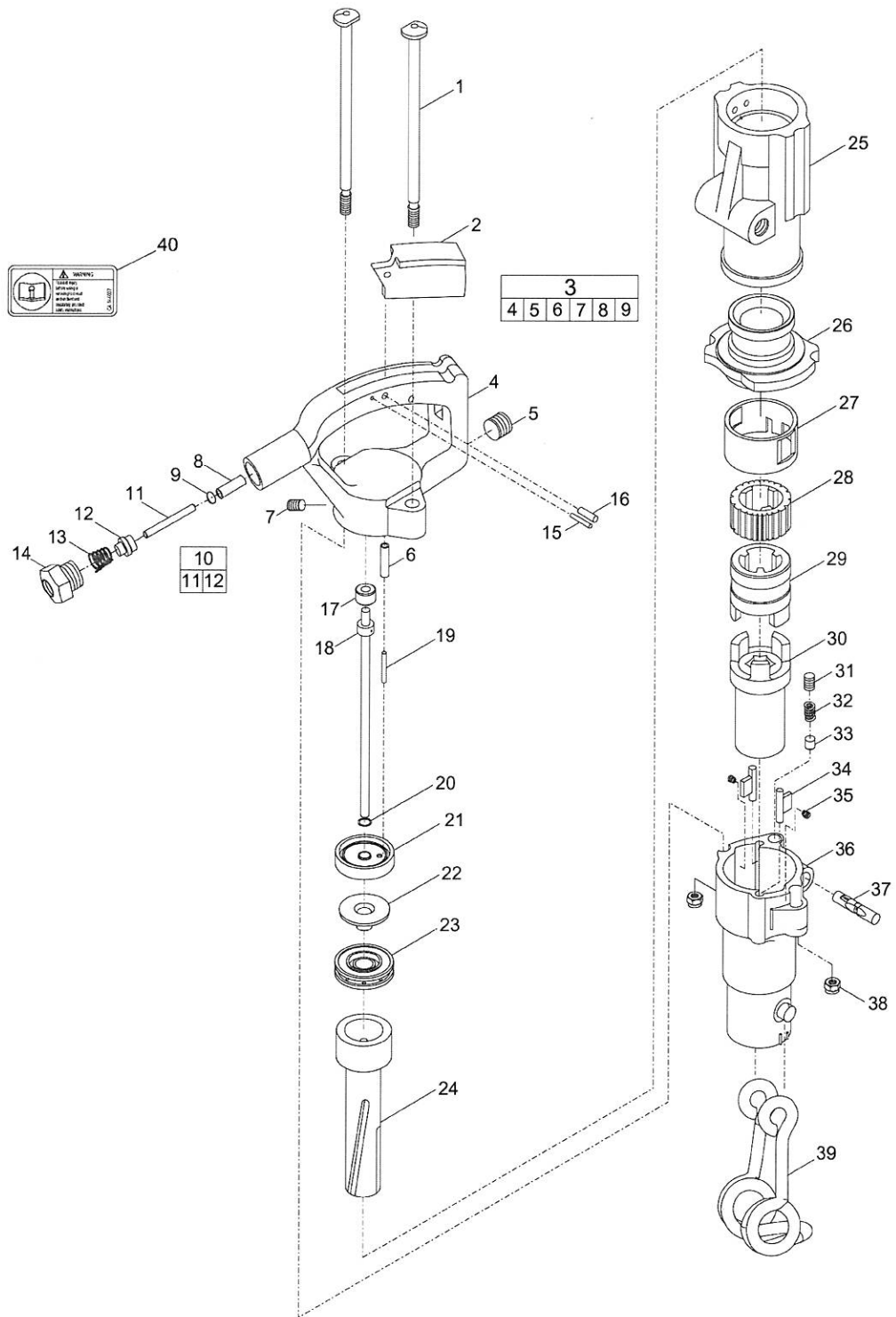
FNG8300-03

DECAL KIT FOR MODEL 85



- | | |
|--------------------------------------|--|
| 1. 3511DEC E-Z DRILL SMALL | 10. 3552DEC WARNING OSHA |
| 2. 3519DEC MADE IN USA | 11. 25520DEC WARNING HEARING PROTECTION |
| 3. 3538DEC FEED LEVER | 12. 35521DEC WARNING DUST MASK |
| 4. 3539DEC FEED PRESSURE | 13. 3554DEC ATTENTION |
| 5. 3545DEC IN AND OUT | 14. 3558DEC E-Z DRILL ADDRESS |
| 6. 3546DEC PRESSURE REGULATOR | 15. 3559DEC POWER LEVER |
| 7. 3547DEC NORMAL OPERATING PRESSURE | 16. 3574DEC CAUTION OILER MUST BE FILLED |
| 8. 3549DEC ON | 17. 3575DEC LUBRICATION DECAL |
| 9. 3550DEC OFF | 18. 3576DEC USE ROCK DRILL OIL ONLY |

Spare parts list CP 0014 RR



Refer to the Parts Online web page for most up-to-date information. The printed information might be outdated.

Item	Part No.	Name	Qty	L
1	F061564	Bolt - Thru	2	
2	F064534	Lever - Throttle	1	
3	R119157	Handle, complete	1	
4	--	Handle	1	
5	C077941	Plug - pipe, Ø 3/8 in., Ø 9.5 mm	1	A
6	R085580	Tube - Oil regulating	1	
7	C068799	Plug - pipe, Ø 1/4 in., Ø 6.5 mm	1	B
8	R085599	Bushing - throttle valve	1	
9	R086098	Seat - throttle valve	1	
10	R086329	Valve - throttle	1	
11	--	Valve stem	1	
12	--	Throttle valve head	1	
13	R085596	Spring - throttle valve	1	
14	R085595	Air inlet bushing	1	C
15	H082555	Pin - Throttle lever stop	1	
16	A043627	Pin - Trigger	1	
17	R085934	Rubber tube	1	
18	R079223	Tube - Air	1	D
19	R085582	Plunger - Oil regulating	1	
20	C069083	O-ring	1	
21	R085935	Seat	1	
22	R085591	Valve	1	
23	R085592	Seat - Front valve	1	
24	R000120	Piston	1	
25	R085575	Cylinder	1	
26	R041684	Bushing - Cylinder	1	E
27	R051350	Sleeve - Shifter	1	
28	R093154	Ring - Ratchet	1	
29	R085601	Sleeve - Chuck	1	
30	R085600	Chuck, 7/8" x 31/4" shank	1	
31	C068064	Plug - Pipe	1	F
32	R051353	Spring - plunger	1	
33	R051349	Plunger - Detent	1	
34	R085588	Pawl	2	
35	R086654	Spring - Pawl	2	
36	R041685	Fronthead	1	
37	R051348	Plunger - Shifter	1	
38	P070438	Nut - Thru bolt	2	

Refer to the Parts Online web page for most up-to-date information. The printed information might be outdated.

Item	Part No.	Name	Qty	L
39	R050584	Retainer wire	1	
40	CA144007	Safety label	1	

Comments for Page: CP 0014 RR

(L)OCAL REMARKS

- A | 3/8"
- B | 1/4" NPTF
- C | 3/8" NPT
- D | dry blower
- E | with rotation release
- F | 1/8"