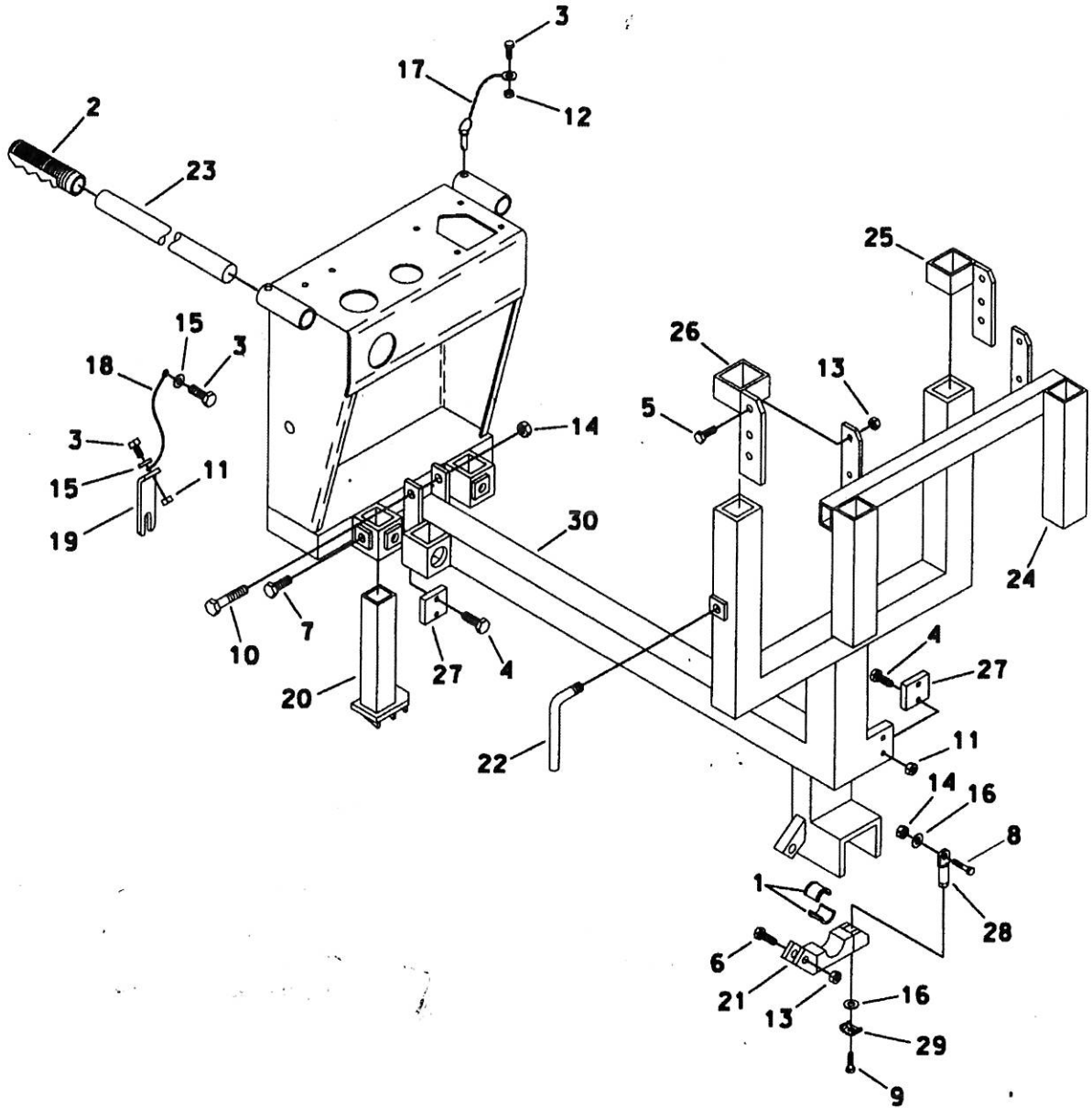


# MAIN FRAME ASSEMBLY



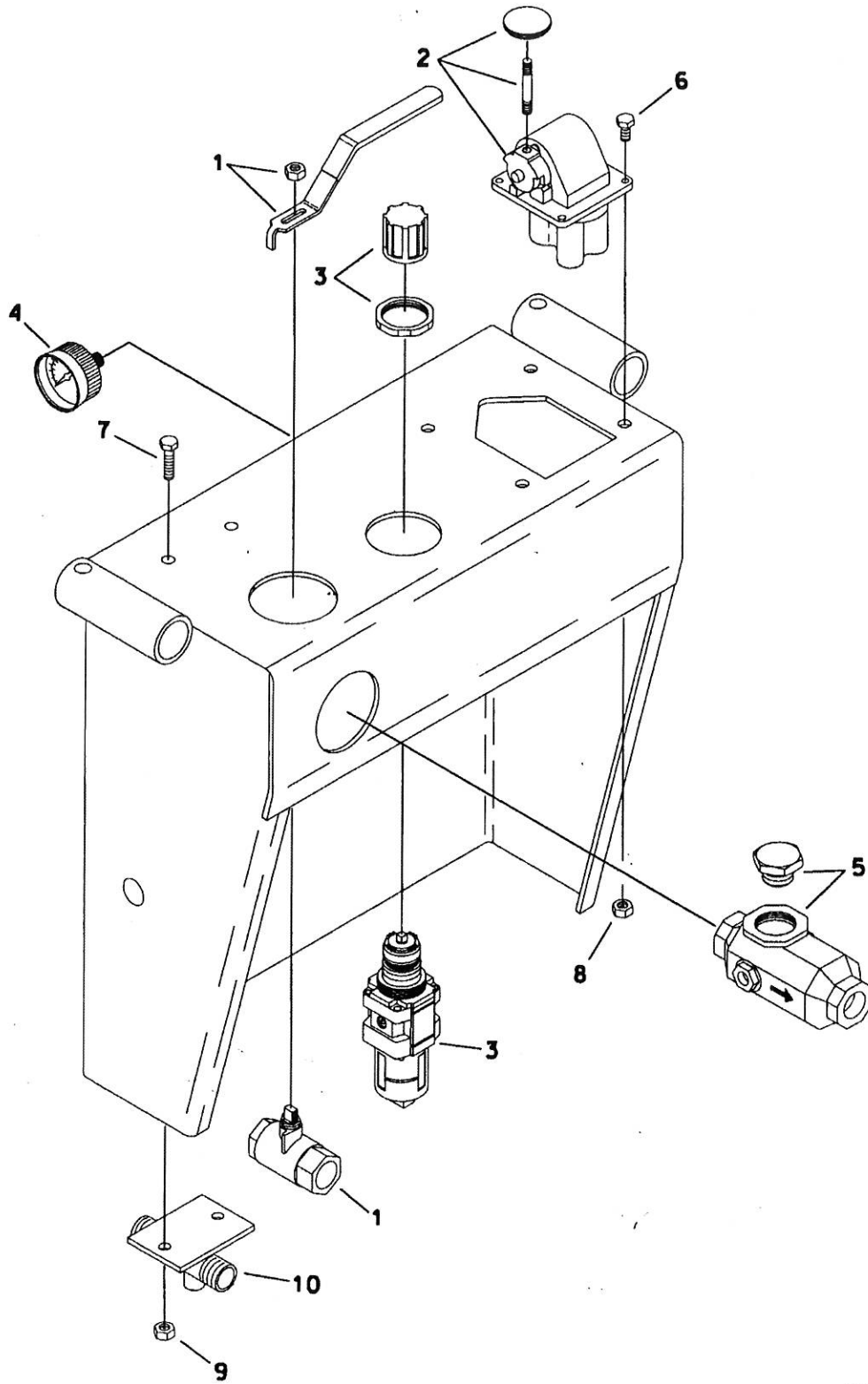
FNG8201-40

## MAIN FRAME ASSEMBLY

ITEM	PART NO	QTY	DESCRIPTION
1.	1108MCP	1	DRILL STEM BUSHING (5/8")
	1109MCP		DRILL STEM BUSHING (3/4")
	1110MCP		DRILL STEM BUSHING (7/8")
	1111MCP		DRILL STEM BUSHING (1")
	1112MCP		DRILL STEM BUSHING (1-1/8")
2.	1820GRO	4	HANDLE GRIP
3.	2501BLT	5	BOLT (1/4" X 3/4")
4.	2503BLT	4	BOLT (1/4" X 1")
5.	2540BLT	4	BOLT (3/8" X 1-1/4")
6.	2541BLT	1	BOLT (3/8" X 1-3/4")
7.	2560BLT	4	BOLT (1/2" X 1-1/4")
8.	2562BLT	1	BOLT (1/2" X 1-1/2")
9.	2563BLT	1	BOLT (1/2" X 2")
10.	2570BLT	1	BOLT (1/2" X 4")
11.	2716NUT	5	LOCKNUT (1/4")
12.	2719NUT	4	LOCKNUT (5/16")
13.	2727NUT	5	LOCKNUT (3/8")
14.	2734NUT	2	LOCKNUT (1/2")
15.	2801WAS	2	WASHER (1/4")
16.	2831WAS	2	WASHER-THICK (1/2") MACHINE BUSHING
17.	3029PIN	4	LOCK PIN W/CHAIN
18.	3030PIN	1	LANYARD
19.	CRA0218	1	CARRIAGE LOCK
20.	MFA0602	2	REAR LEGS
21.	MFA0609	1	DRILL STEM GUIDE
22.	MFA0611	2	HANDLE SET SCREW
23.	MFA0617	2	REAR LIFTING HANDLE
24.	MFA0620	1	FRONT STABILIZER BRACKET
25.	MFA0621	1	UPPER STABILIZER BRACKET-RT
26.	MFA0622	1	UPPER STABILIZER BRACKET-LT
27.	MFA0626	2	NEOPRENE STOP PAD
28.	MFA0674	1	SWIVEL BOLT (INCL REF NO'S 8, 9, 14, 16, 29)
29.	MFA0690	1	BIT GUIDE KEEPER
30.	MNF05090	1	MAIN FRAME

FNG8201-40

# CONTROL PANEL



FNG8201-60

# CONTROL PANEL

ITEM	PART NO	QTY	DESCRIPTION
1.	0615VAL	1	POWER CONTROL VALVE
2.	0616VAL *	1	FEED CONTROL VALVE
3.	0809REG **	1	REGULATOR
	08059REG ***	1	REGULATOR LOCK RING
4.	0902GAU ****	1	AIR PRESSURE GAUGE
5.	1601OIL	1	OILER
6.	2501BLT	4	BOLT (1/4" X 3/4")
7.	2519BLT	2	BOLT (5/16" X 3/4")
8.	2716NUT	4	LOCKNUT (1/4")
9.	2719NUT	2	LOCKNUT (5/16")
10.	MFA0677	1	MANIFOLD

\* After s/n M-1857, use 060102VAL

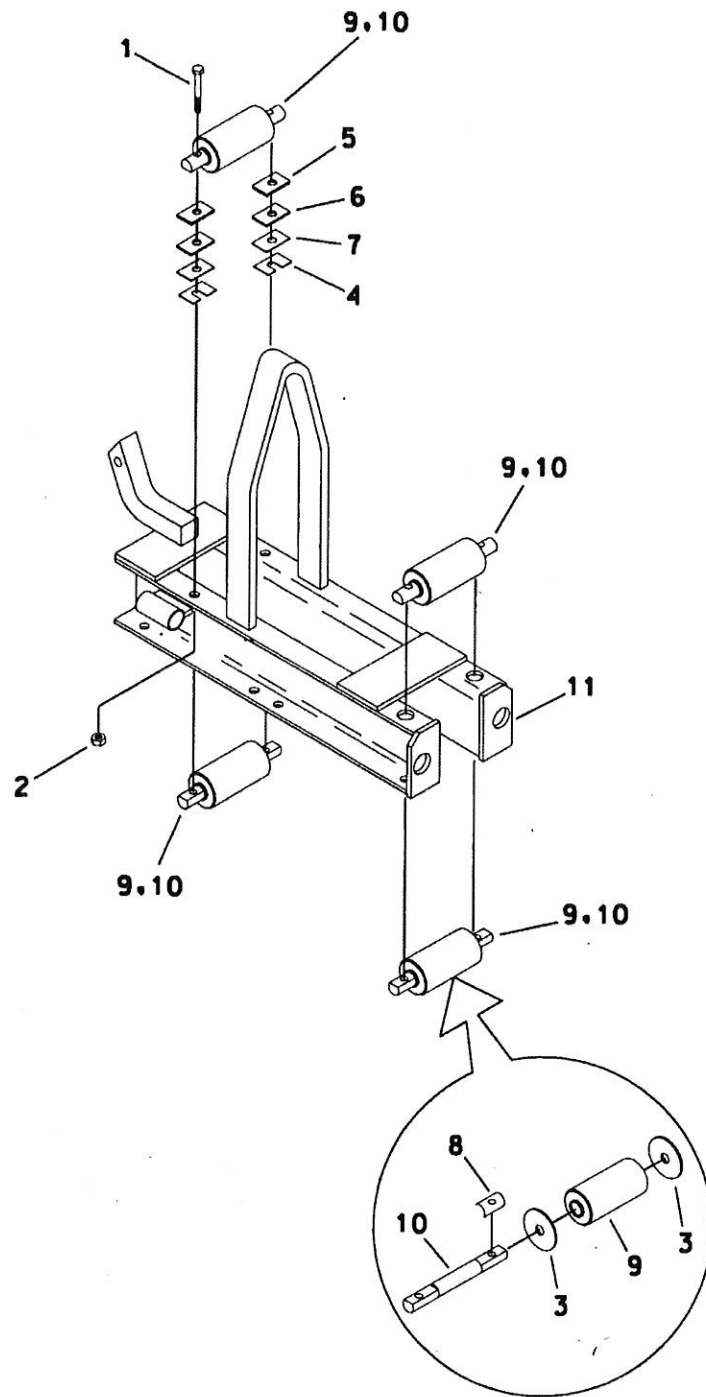
\*\* After s/n M-1857, use 08092REG

\*\*\* After s/n M-1857, use 17062RPT

NOTE: This is a replacement knob; when ordering a new regulator the knob is included

\*\*\*\* After s/n M-1857, use 09022GAU

# CARRIAGE ASSEMBLY



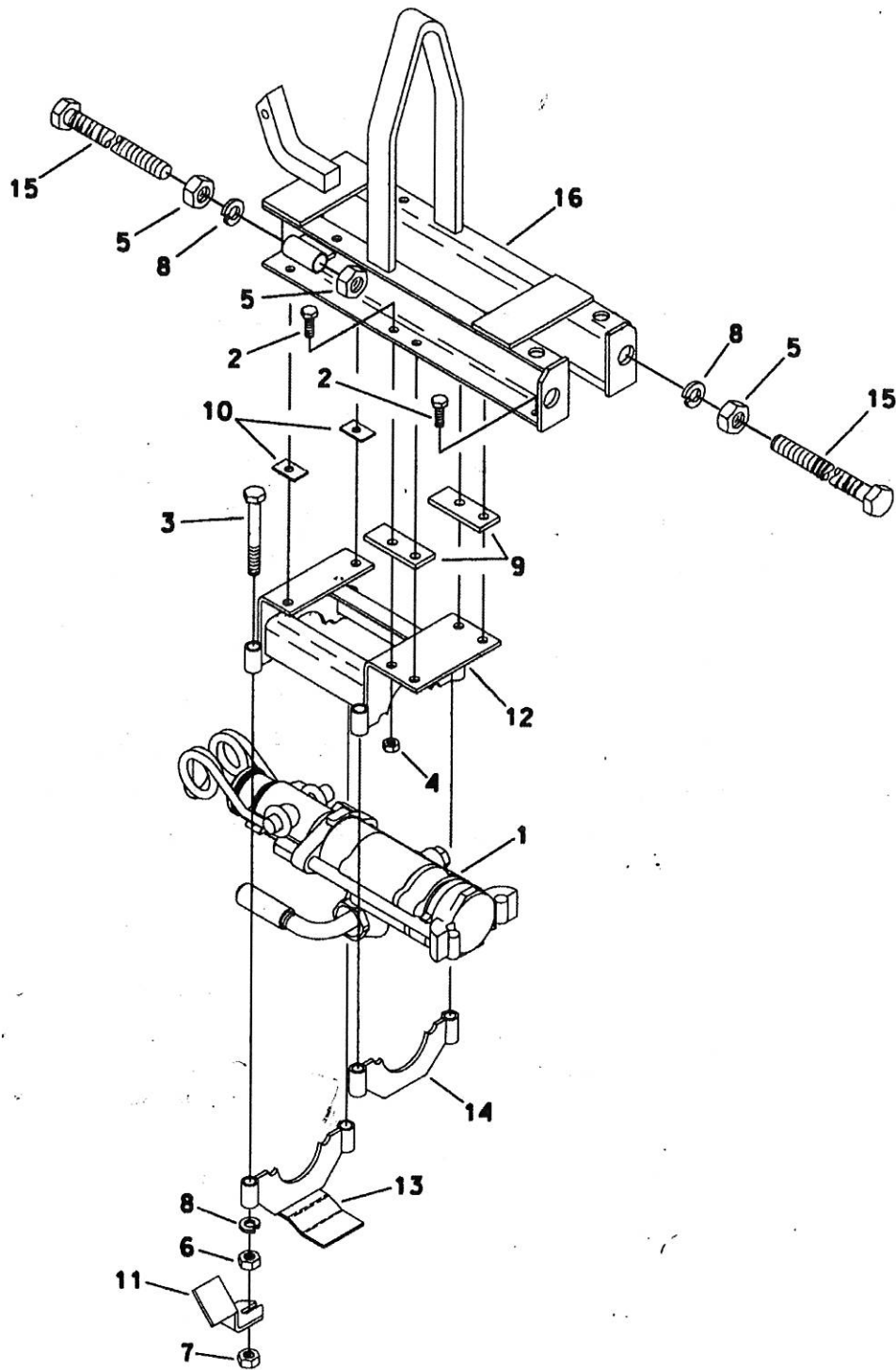
FNG8201-80

## CARRIAGE ASSEMBLY

ITEM	PART NO	QTY	DESCRIPTION
1.	2526BLT	8	BOLT (5/16" X 1/2")
2.	2719NUT	8	LOCKNUT (5/16")
3.	2841WAS	8	WASHER (5/8")
4.	7009TAB	2	STAINLESS STEEL SHIM
5.	7011TAB	2	SHIM (12 GA)
6.	7012TAB	2	SHIM (18 GA)
7.	7013TAB	2	SHIM (22 GA)
8.	CRA0230	8	BEARING KEEPER
9.	CRA0233	4	ROLLER BEARING DRUM
10.	CRA0234	4	ROLLER BEARING AXLE
11.	CRG01070	1	CARRIAGE

FNG8201-80

# CARRIAGE / AIR DRILL



FNG8201-90

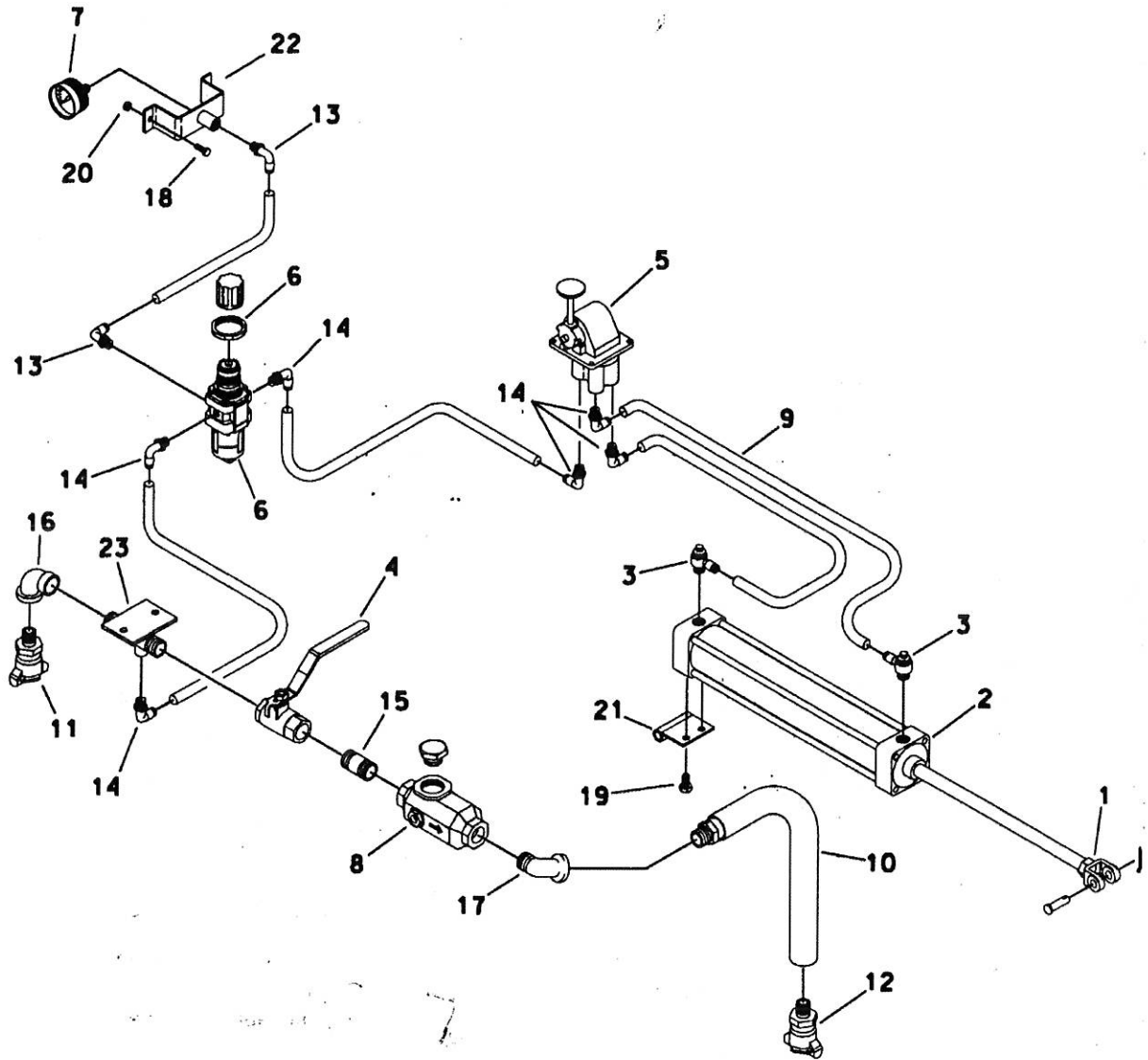
## CARRIAGE / AIR DRILL

ITEM	PART NO	QTY	DESCRIPTION
1.	0106DRL	1	DRILL CP22
2.	2540BLT	8	BOLT (3/8" X 1-1/4")
3.	2570BLT	4	BOLT (1/2" X 4")
4.	2727NUT	14	LOCKNUT (3/8")
5.	2731NUT	4	STOP ROD NUT
6.	2732NUT	4	STD NUT (1/2")
7.	2734NUT	4	LOCKNUT (1/2")
8.	2832WAS	6	LOCK WASHER (1/2")
9.	7010TAB	2	SHIM (16 GA - 2 HOLE)
10.	7012TAB	2	SHIM (18 GA)
11.	CRA02090	1	AIR TUBE SUPPORT BRACKET
* 12.	CRA02270	1	UPPER DRILL BRACKET
13.	CRA02280	1	LOWER FRONT DRILL BRACKET
14.	CRA02380	1	LOWER REAR DRILL BRACKET
15.	CRA0241	2	STOP ROD (12")
16.	CRG01070	1	CARRIAGE
* 12.	CRA0227	1	UPPER DRILL BRACKET (for 2" feed bar) Prior to sn: I-986

FNG8201-90



# AIR LINE SCHEMATIC



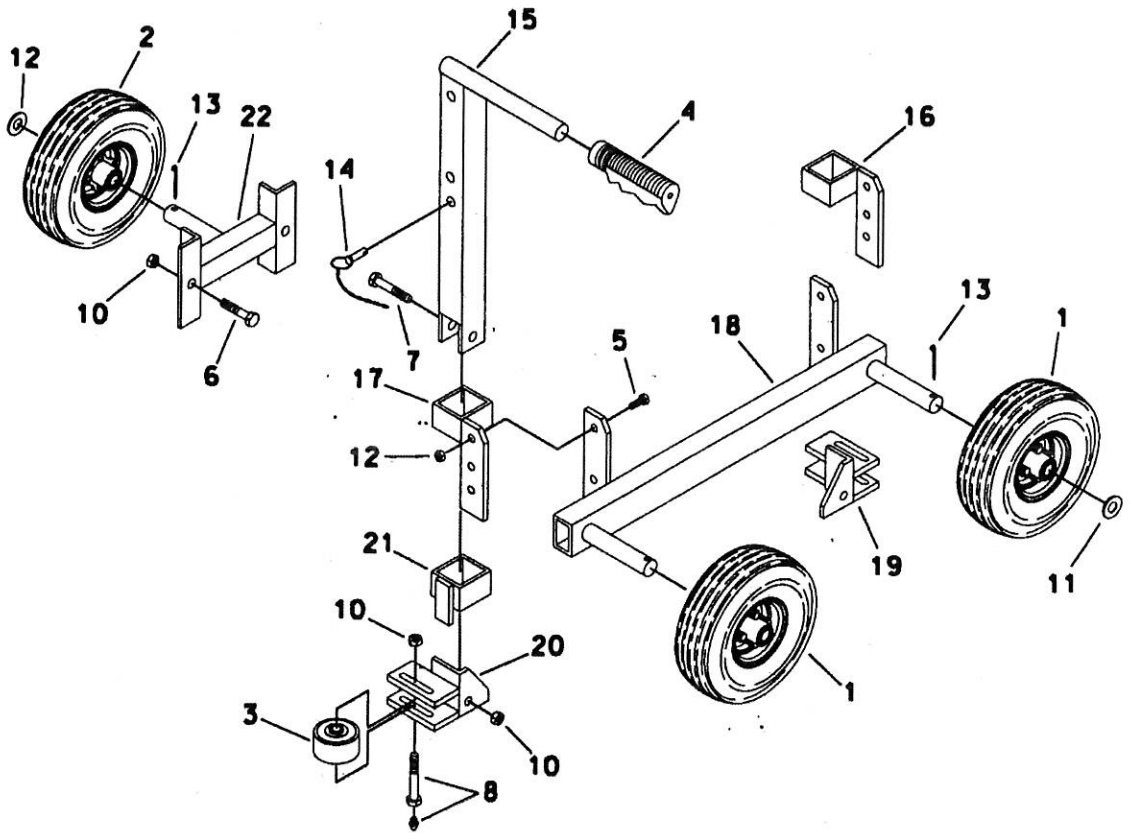
FNG8201-70

## AIR LINE SCHEMATIC

ITEM	PART NO	QTY	DESCRIPTION
1.	0501CYL	1	CYLINDER CLEVIS
	3002PIN	1	CLEVIS PIN
	3022PIN	1	COTTER PIN (1/8")
2.	0519CYL	1	FEED CYLINDER (14")
3.	0611VAL	2	FLOW CONTROL VALVE
4.	0615VAL	1	POWER CONTROL VALVE
*5.	0616VAL	1	FEED CONTROL VALVE
6.	0809REG	1	REGULATOR
	08059REG	1	REGULATOR LOCK RING
7.	0902GAU.	1	AIR PRESSURE GAUGE
8.	1601OIL	1	OILER
9.	1903HOS	4	AIR HOSE (1/4")(VARIOUS LENGTHS)
10.	1904HOS	1	HOSE, 250 PSI W.P. TEST (3/4")
11.	2006FIT	1	QUICK COUPLER
12.	2009FIT	1	HOSE FITTING COUPLING
13.	2050FIT	1	AIR FITTING (1/4")
14.	2051FIT	7	MALE ELBOW AIR FITTING (1/4")
15.	2114PFT	1	PIPE NIPPLE (3/4" X 1-1/2")
16.	2149PFT	1	PIPE FITTING (3/4" X 45°)
17.	2148PFT	1	PIPE FITTING (3/4" X 45°)
18.	2501BLT	2	BOLT (1/4" X 3/4")
19.	2537BLT	2	BOLT (3/8" X 3/4")
20.	2716NUT	2	LOCKNUT (1/4")
21.	MFA0624	1	FEED CYLINDER MOUNT CLEVIS
22.	MFA0670	1	AIR GAUGE MOUNTING BRACKET
23.	MFA0677	1	MANIFOLD
*5.	060102 VAL	1	FEED CONTROL VALVE

FNG8201-70

# MOBILE SYSTEM



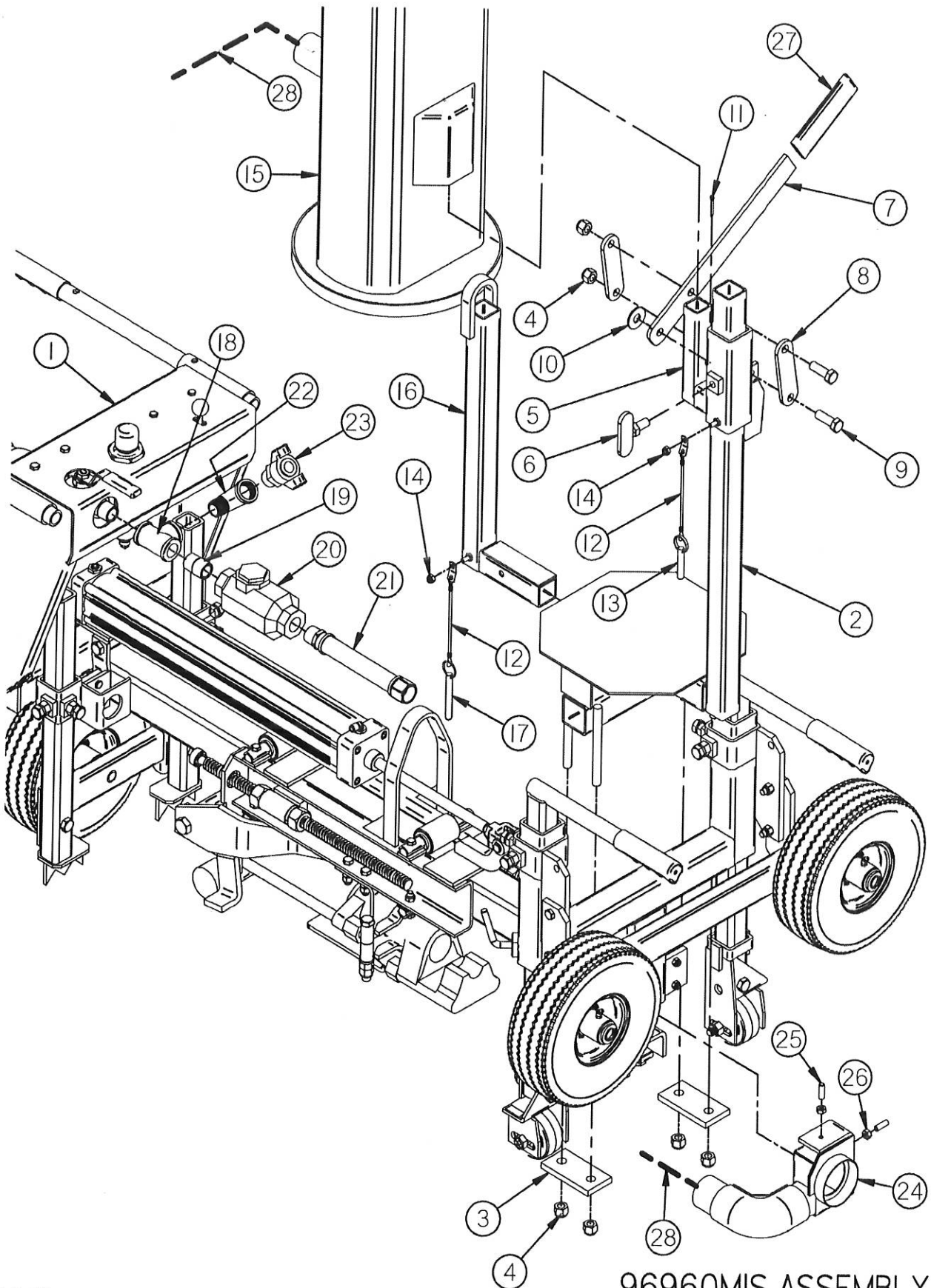
FNG8201-50

## MOBILE SYSTEM

ITEM	PART NO	QTY	DESCRIPTION
1.	0201WHL	2	FRONT WHEEL
2.	0202WHL	1	REAR WHEEL
3.	0207WHL	2	GUIDE WHEEL
4.	1820GRO	2	HANDLE GRIP
5.	2540BLT	4	BOLT (3/8" X 1-1/4")
6.	2562BLT	2	BOLT (1/2" X 2-1/2")
7.	2566BLT	2	BOLT (1/2" X 2-3/4")
8.	25675BLT	2	BOLT (1/2" X 3-1/2" W/GREASE FIT)
9.	2727NUT	4	LOCKNUT (3/8")
10.	2734NUT	6	LOCKNUT (1/2")
11.	2842WAS	4	FLAT WASHER (5/8")
12.	28510 WAS	2	FLAT WASHER (3/8")
13.	3022PIN	3	COTTER PIN
14.	3029PIN	2	LOCK PIN W/CHAIN
15.	MFA0619	2	FRONT LIFTING HANDLE
16.	MFA0621	1	UPPER STABILIZER BRACKET-RT
17.	MFA0622	1	UPPER STABILIZER BRACKET-LT
18.	MOB0908	1	FRONT MOBILE STABILIZER
19.	MOB0915	1	GUIDE WHEEL SWIVEL ASSY-RT
20.	MOB0916	1	GUIDE WHEEL SWIVEL ASSY-LT
21.	MOB0926	2	SLIDE LOCK
22.	MOB0927	1	REAR AXLE ASSEMBLY

FNG8201-50

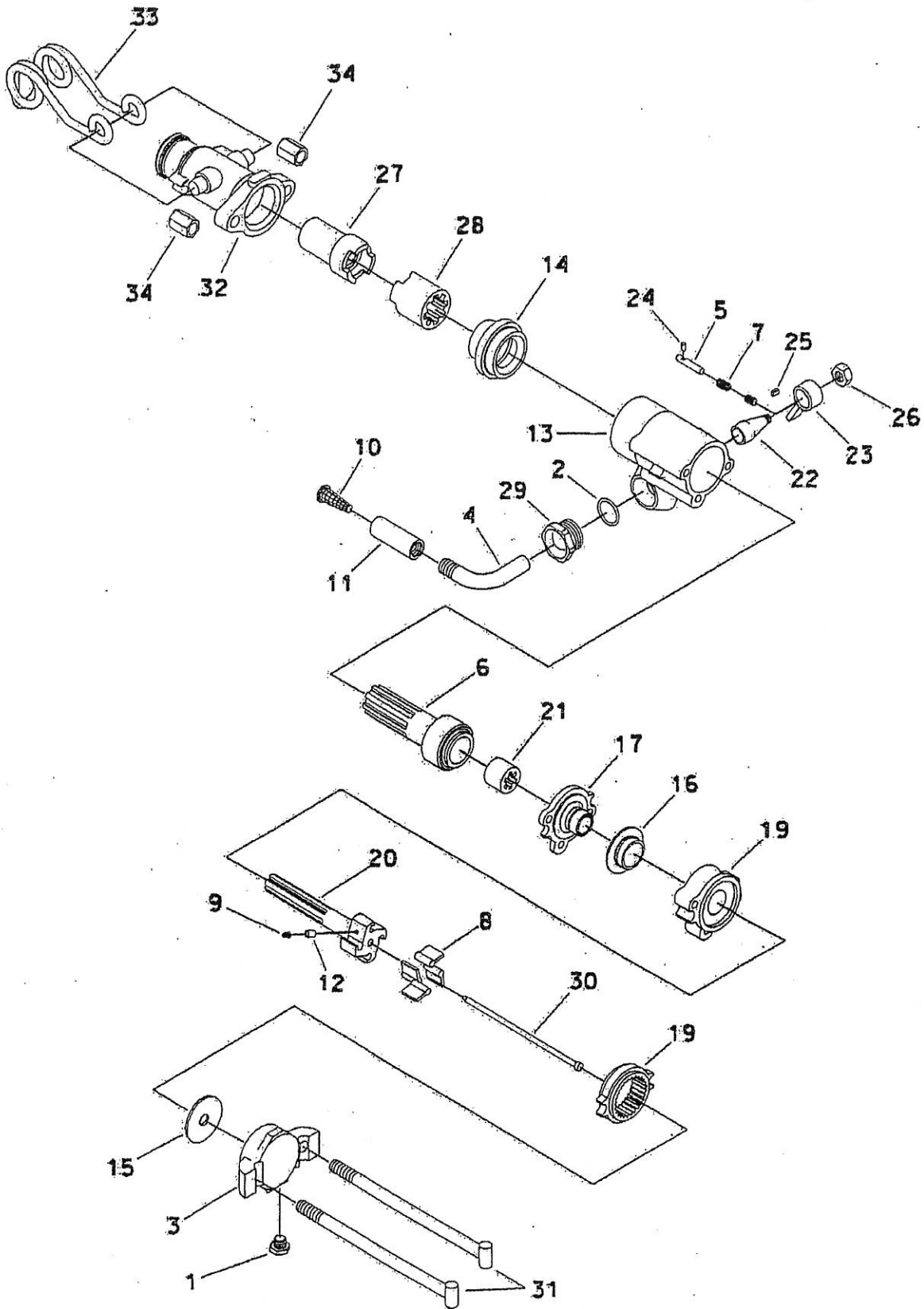
# 210B VACUUM SYSTEM ASSEMBLY - PAGE 01



## 210B VACUUM SYSTEM ASSEMBLY - PAGE 02

Item No.	Part No.	Quantity	Description
1	FNG80990	1	210B DRILL
2	MFA069900	1	DUST COLLECTION FRAME (MOD 210B - MOUNTED)
3	MFA069905	2	FRAME CLAMP SHORT
4	2734NUT	6	1/2" NC NYLON INSERT LOCKNUT
5	MFA069902	1	ADAPTER - LIFTING BALE - DUST COLLECTION
6	MFA069903	1	SET SCREW - DUST COLLECTION
7	MFA069904	1	RAISE/LOWER LEVER - DUST COLLECTION
8	MFA069906	2	FRAME CLAMP LONG
9	2562 BLT	2	1/2" NC X 1.50" HX HD TAP BOLT
10	2830 WAS	1	1/2" STD. FLAT WASHER
11	30221 PIN	1	1/8" X 1-1/4" COTTER PIN
12	3031PIN	2	LANYARD W/TAB ONE END
13	3029PIN	1	LOCK PIN
14	2716NUT	2	1/4" NC NYLON LOCK NUT
15	9695MIS	1	MICRO VACUUM
16	MFA069901	1	LIFTING BALE - DUST COLLECTION (MOD 210B)
17	30291PIN	1	3/8" X 2" LOCK PIN
18	2103PFT	1	3/4' PIPE TEE
19	2114PFT	1	3/4" X 1 1/2" NIPPLE
20	1601OIL	1	3/4" PINT OILER
21	HOS1501	1	MANIFOLD TO DRILL MOTOR HOSE 30"
22	2155 PFT	1	STREET ELL, 3/4" NPT
23	2006FIT	1	3/4" MALE PIPE TO QUICK COUPLER
24	MFA069913	1	DUST COLLECTOR HEAD
25	2521 BLT	2	5/16-18 X 1" SET SCREW
26	2717 NUT	2	5/16 UNC HEX NUT ( ZP, GR. 5 )
27	18206GRO	1	LEVER GRIP
28*	19255 HOS	1	2" VACUUM HOSE

# CP 22 SINKER DRILL WITH SPRING RETAINER



CP0022-10

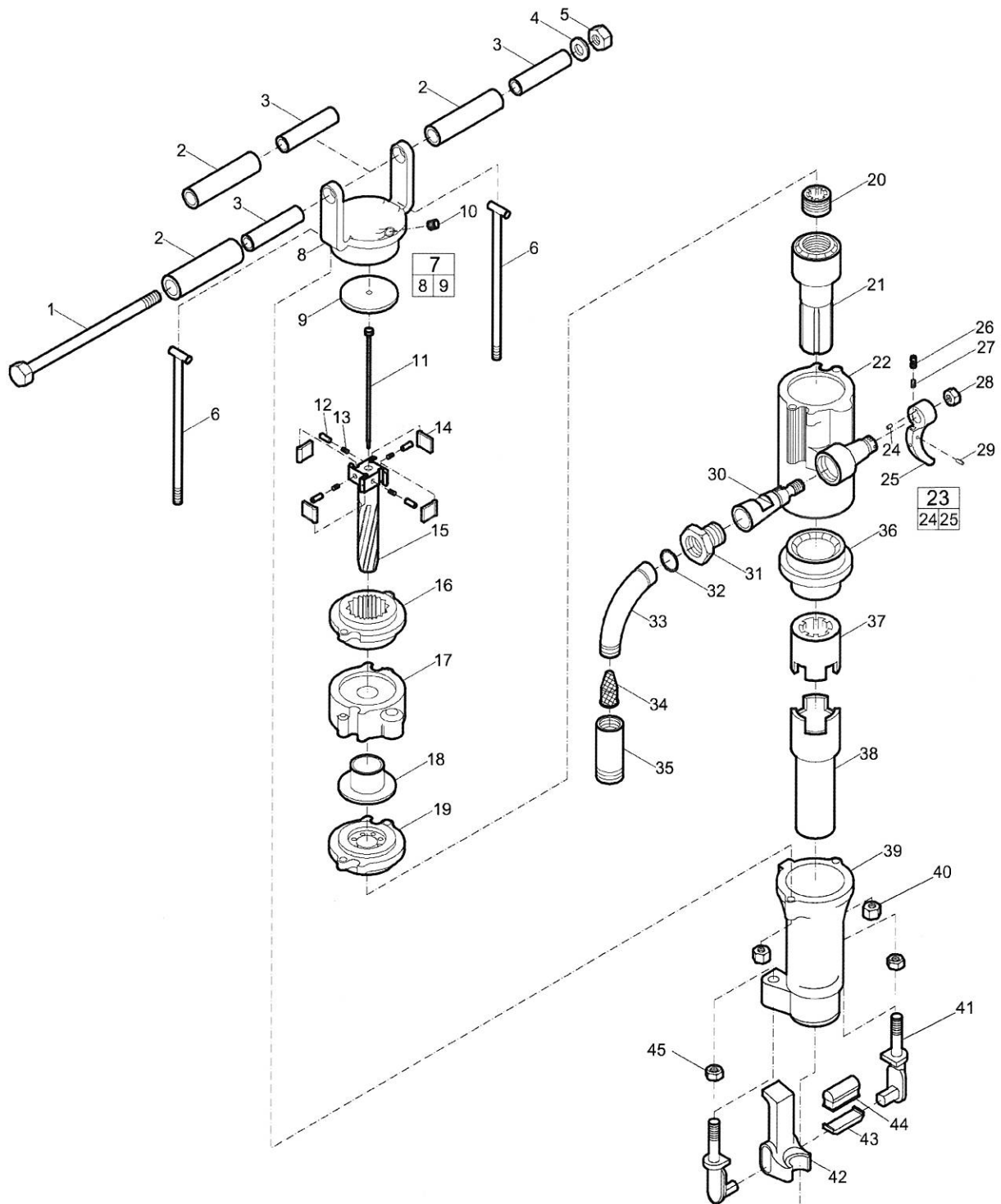
# CP 22 SINKER DRILL WITH SPRING RETAINER

ITEM	PART NO	QTY	DESCRIPTION
1.	C077941	1	PLUG-PIPE (3/8")
2.	C106884	1	O-RING (-019)
3.	F035373	1	BACKHEAD (INCL REF NO. 15)
4.	F814720	1	SWIVEL-AIR INLET
5.	P089767	1	PIN-THROTTLE VALVE (3/32" X 5/16 ")
6.	R000037	1	PISTON
7.	R000528	1	SPRING-THROTTLE VALVE
8.	R000617	4	PAWL
9.	R000619	4	SPRING-PAWL PLUNGER
10.	R005584	1	SCREEN-AIR INLET
11.	R005744	1	SLEEVE-AIR INLET
12.	R009224	4	PLUNGER-PAWL
13.	R075577	1	CYLINDER
14.	R075578	1	BUSHING-CYLINDER
15.	R075580	1	WASHER-BACKHEAD
16.	R075581	1	VALVE
17.	R075582	1	BUSHING-VALVE GUIDE
18.	R075583	1	CASE-VALVE
19.	R075585	1	RING-RATCHET
20.	R075586	1	BAR-RIFLE
21.	R075587	1	NUT-RIFLE BAR
22.	R075588	1	VALVE-THROTTLE
23.	R075589	1	HANDLE-THROTTLE VALVE (INCL REF NO. 25)
24.	R075590	1	PLUNGER-THROTTLE HANDLE
25.	R075592	1	KEY-THROTTLE HANDLE
26.	R075593	1	NUT-ELASTIC STOP (1/2" - 20)
27.	R075596	1	CHUCK (7/8" HEX X 3-1/4")
28.	R075597	1	NUT-CHUCK ROTATION
29.	R075599	1	NUT-AIR SWIVEL
30.	R075598	1	ROD-AIR
31.	R075601	2	BOLT-THRU
32.	R075645	1	FRONTHEAD (7/8" HEX)
33.	R075646	1	RETAINER (7/8" HEX)
34.	R085164	2	NUT-THRU BOLT

CP0022-10



Spare parts list CP 0022 KL 7/8" x 3 1/4"



Refer to the Parts Online web page for most up-to-date information. The printed information might be outdated.

Item	Part No.	Name	Qty	L
1	R075584	Bolt - Handle	1	
2	R000692	Grip - Handle	3	
3	R000694	Liner - Handle	3	
4	R000142	Washer - Handle bolt key	1	
5	R005742	Nut - Elastic stop	1	
6	R075601	Bolt - Thru	2	
7	F035373	Backhead, complete	1	
8	--	Backhead	1	
9	R075580	Washer - Backhead	1	
10	C077941	Plug - pipe, Ø 3/8 in., Ø 9.5 mm	1	A
11	R075598	Rod - Air	1	
12	R009224	Plunger - Pawl	4	
13	R000619	Spring - Pawl plunger	4	
14	R000617	Pawl	4	
15	R075586	Bar - Rifle	1	
16	R075585	Ring - Ratchet	1	
17	R075583	Case - Valve	1	
18	R075581	Valve	1	
19	R075582	Valve seat	1	
20	R075587	Nut - Rifle	1	
21	R000037	Piston	1	
22	R075577	Cylinder	1	
23	R075589	Throttle handle, complete	1	
24	R075592	Key - Throttle handle	1	
25	--	Handle - Throttle valve	1	
26	R075590	Plunger - Throttle handle	1	
27	R000528	Spring - Throttle valve	1	
28	R075593	Nut - Elastic stop	1	B
29	P089767	Pin - Throttle handle, 3/32" x 5/16"	1	
30	R075588	Valve - Throttle	1	
31	R075599	Nut - Air swivel	1	
32	C106884	O-ring	1	
33	F814720	Swivel - Air inlet	1	
34	R005584	Screen - Air inlet	1	
35	R005744	Sleeve - Air inlet	1	
36	R075578	Bushing - Cylinder	1	
37	R075597	Nut - Chuck rotation	1	
38	R075596	Chuck, 7/8" x 31/4" (22 x 82.5 mm)	1	

Refer to the Parts Online web page for most up-to-date information. The printed information might be outdated.

Item	Part No.	Name	Qty	L
39	3303005212	Fronthead, 7/8" x 31/4" (22 x 82.5 mm)	1	
40	R085164	Nut - Through bolt	2	
41	3303005216	Trunnion	2	
42	3303005218	Latch - Retainer	1	
43	3111005600	Buffer plate	1	
44	3111005700	Rubber buffer	1	
45	Q2122000	Nut - Elastic stop	2	

Comments for Page: CP 0022 KL 7/8" x 31/4"

(L)OCAL REMARKS

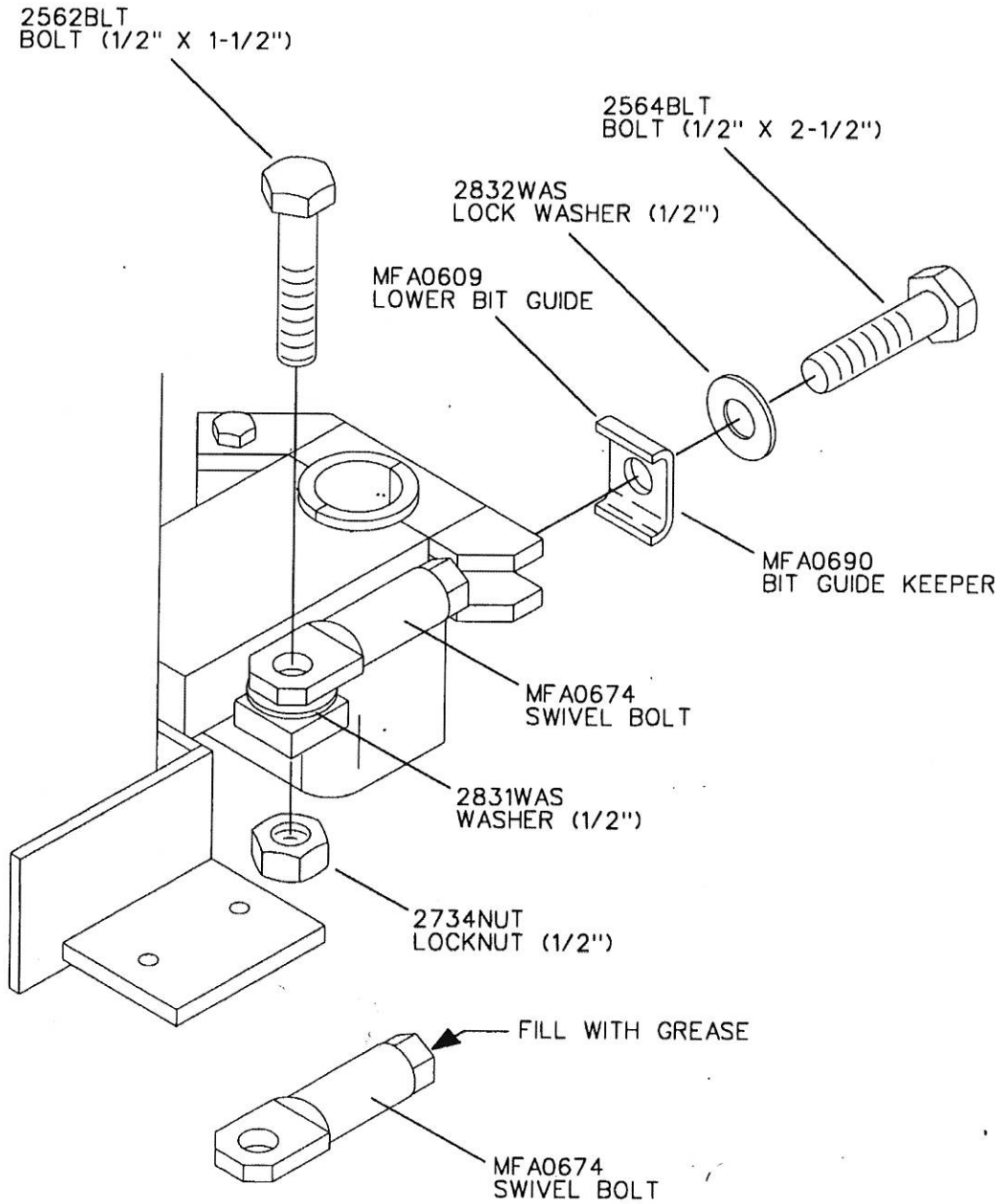
A | 3/8"

B | 1/2" - 20

# SWIVEL BOLT ASSEMBLY

NOTE:

ALL PARTS SHOWN ARE SHIPPED WHEN ORDERING PART NUMBER MFA0674.



MFA0674-10