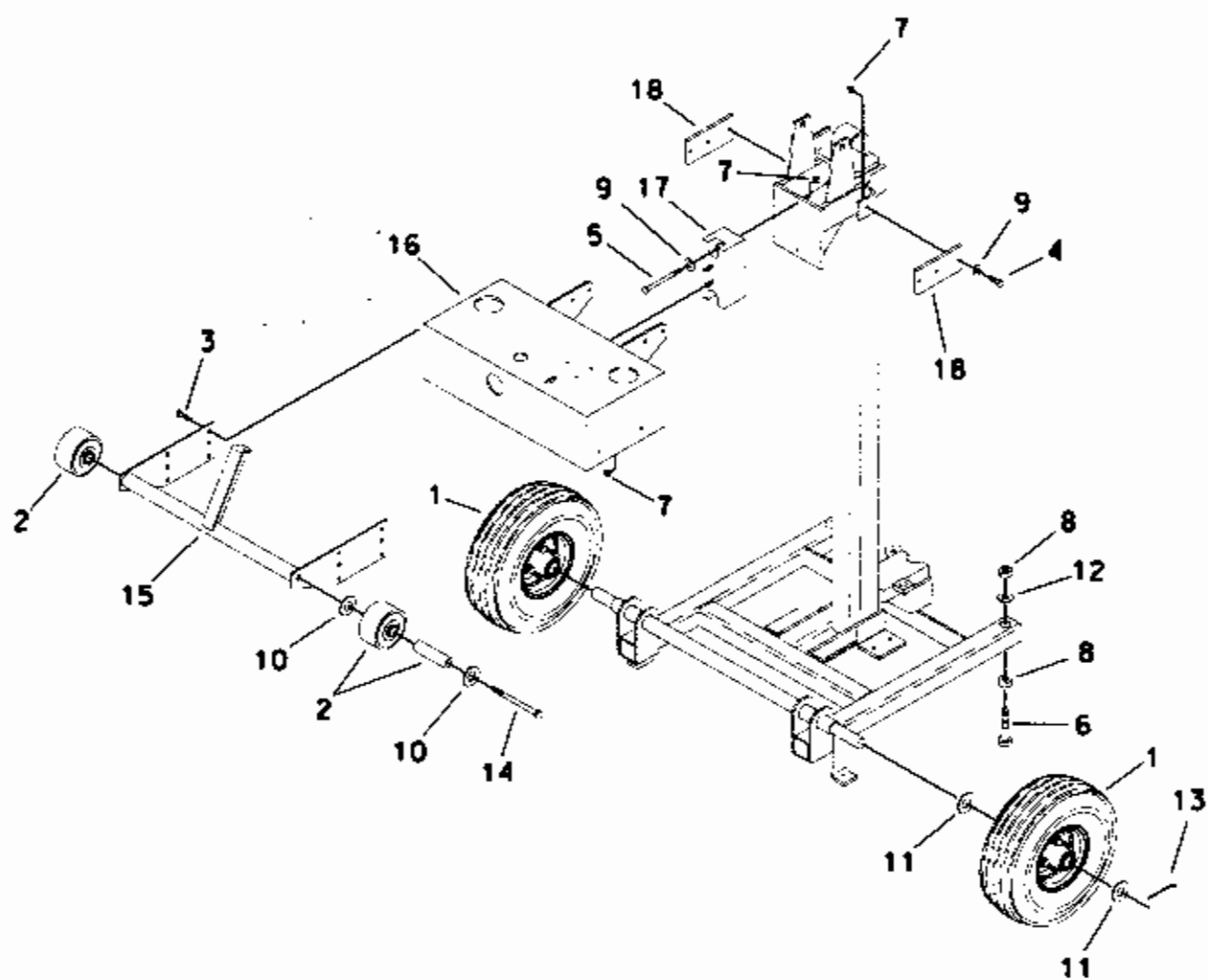
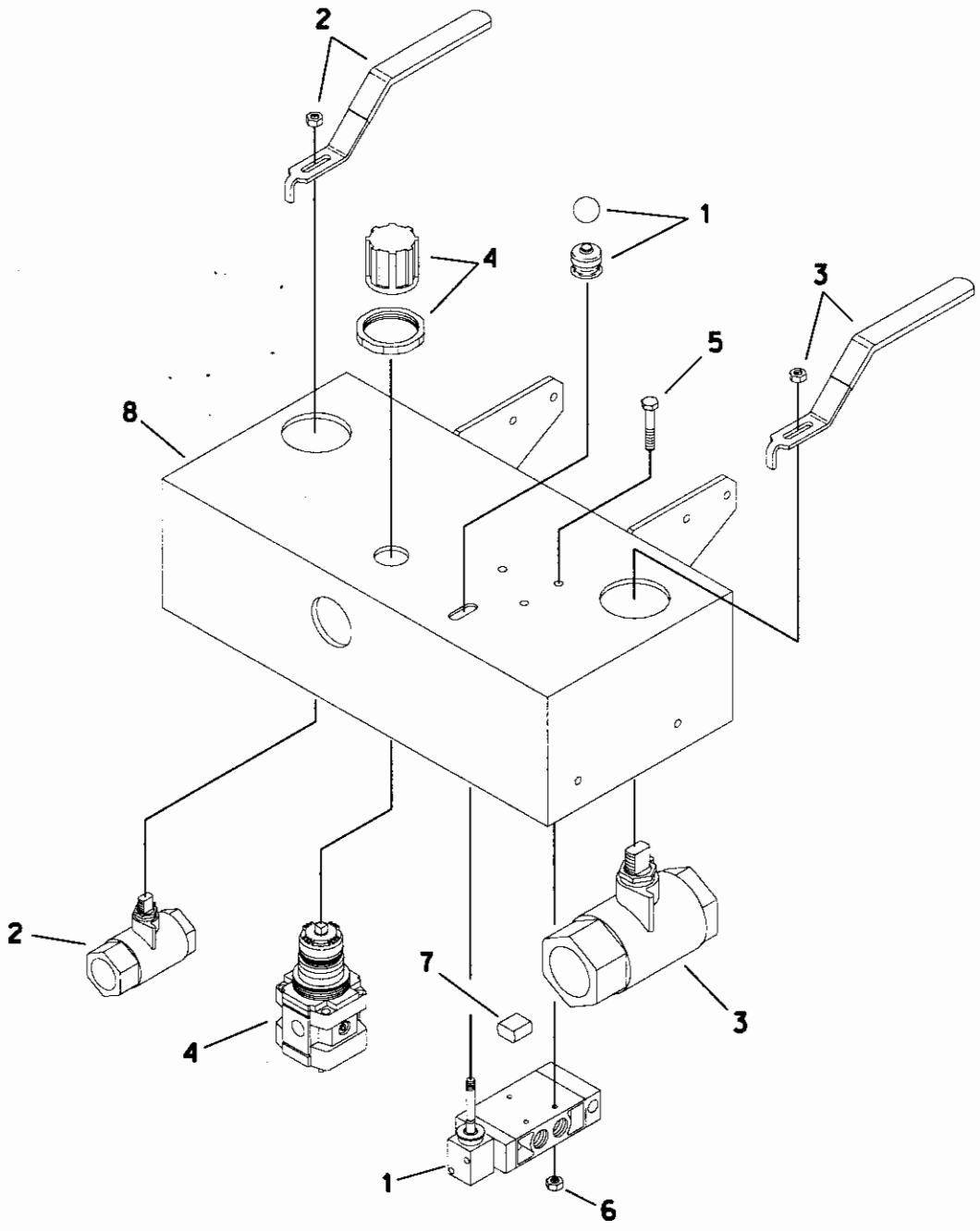


MAIN FRAME ASSEMBLY



ITEM	PART NO	QTY	DESCRIPTION
1.	0202WHL	2	WHEEL
2.	0207WHL	2	GUIDE WHEEL
3.	2519BLT	4	BOLT (5/16" X 3/4")
4.	2520BLT	6	BOLT (5/16" X 1")
5.	2531BLT	4	BOLT (5/16" X 2-1/2")
6.	25997BLT	2	BOLT (3/4" X 6")
7.	2719NUT	18	LOCKNUT (5/16")
8.	2748NUT	4	NUT (3/4")
9.	2801WAS	12	FLAT WASHER (1/4")
10.	2830WAS	4	FLAT WASHER (1/2")
11.	28510WAS	4	FLAT WASHER (3/4")
12.	2852WAS	2	LOCKWASHER (3/4")
13.	3022PIN	2	COTTER PIN
14.	VER10150	2	BOLT (1/2" X 2-1/2")
15.	VER1063	1	HANDLE ASSEMBLY
16.	VER1064	1	CONTROL PANEL
17.	VER1065	1	ISOLATOR
18.	VER1066	2	ISOLATOR SUPPORT STRAP

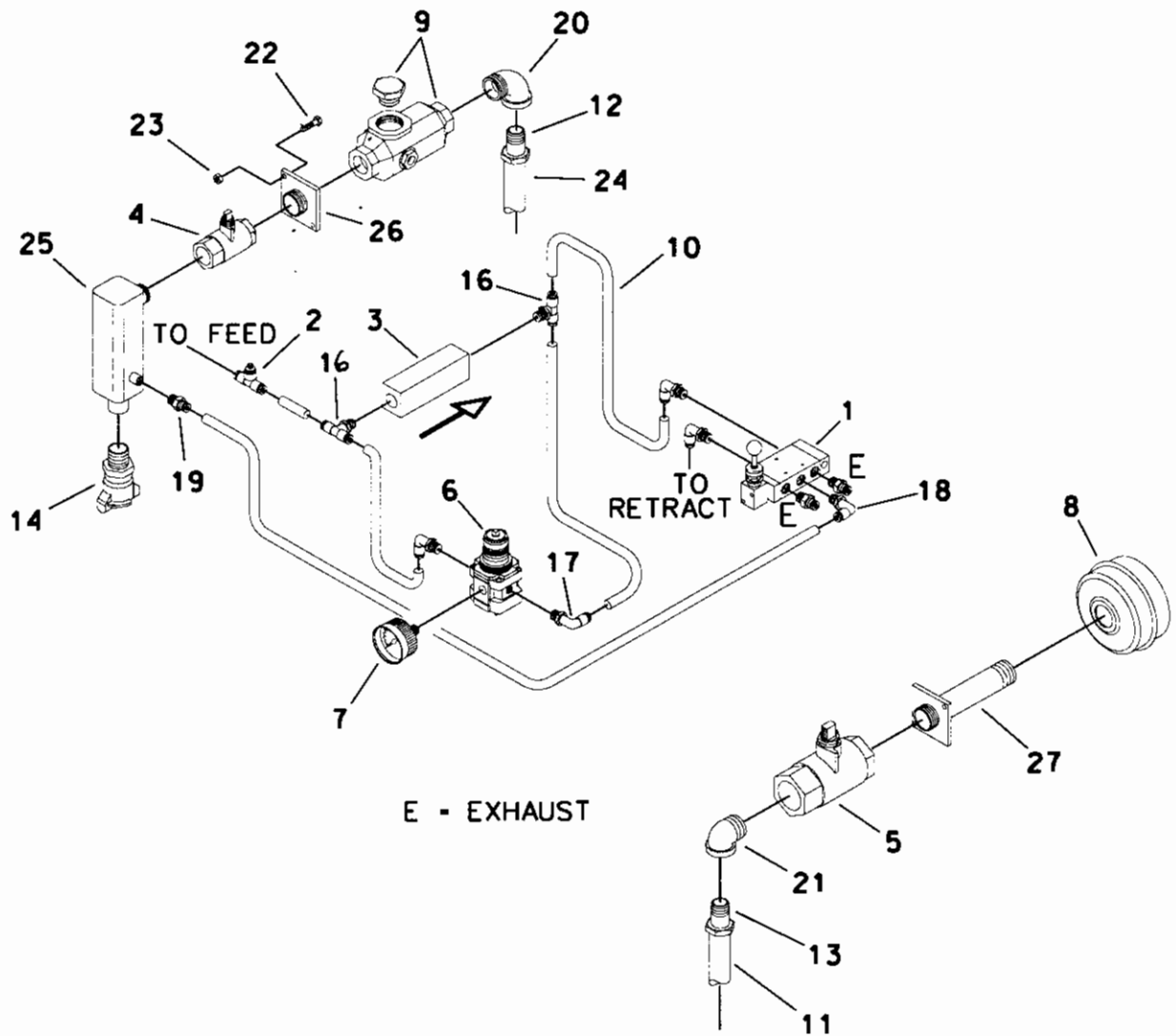
CONTROL PANEL



CONTROL PANEL

ITEM	PART NO	QTY	DESCRIPTION
1.	060102VAL	1	FEED VALVE
2.	0615VAL	1	POWER VALVE (3/4")
3.	06150VAL	1	AIR ONLY VALVE (1")
4.	08101REG	1	REGULATOR
5.	247800BLT	3	BOLT (#8-32 X 3")
6.	2712NUT	3	LOCKNUT (#8-32)
7.	SRS13461	1	VALVE SPACER
8.	VER1064	1	CONTROL PANEL

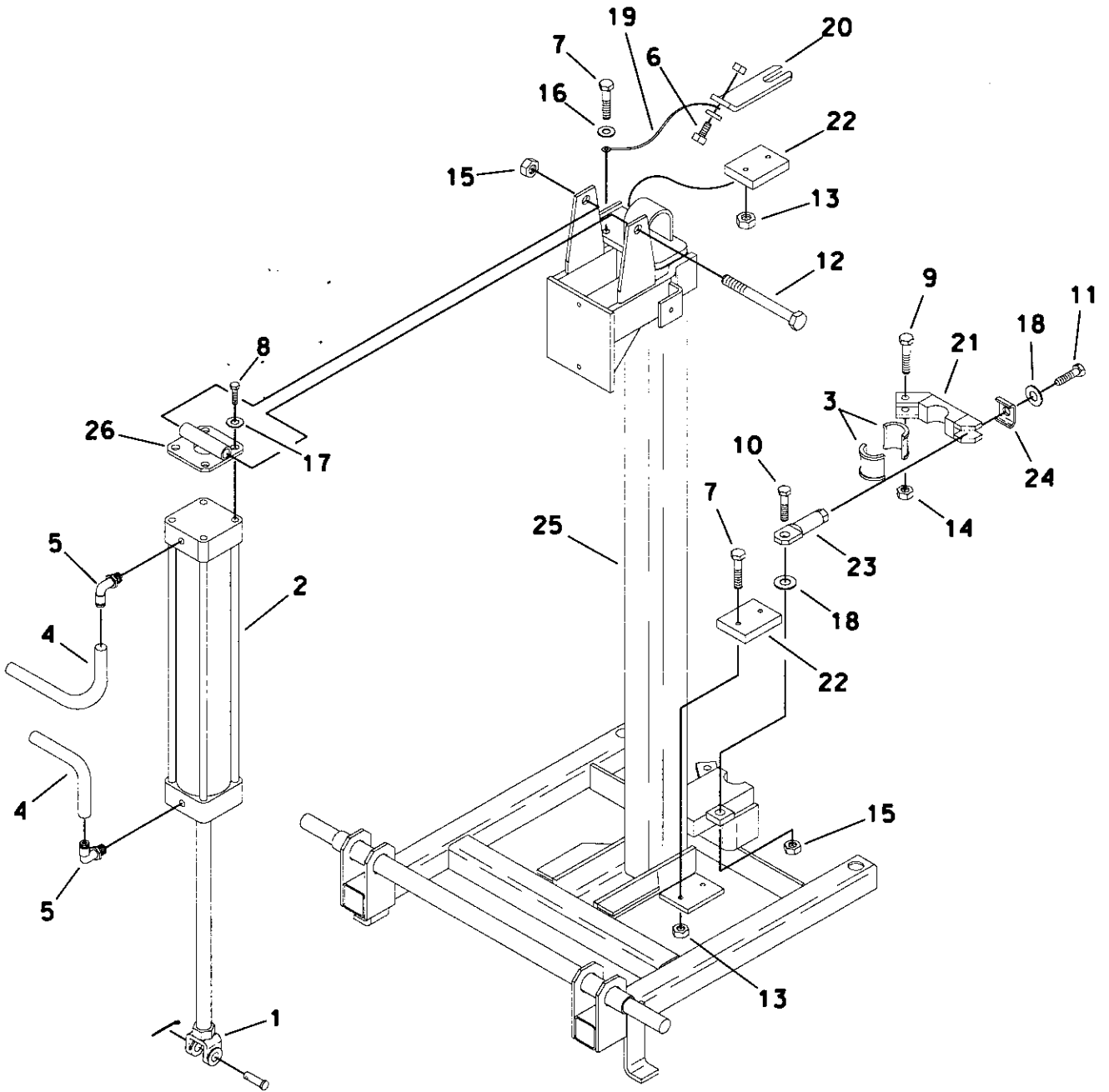
AIR LINE SCHEMATIC



AIR LINE SCHEMATIC

ITEM	PART NO	QTY	DESCRIPTION
1.	060102VAL	1	FEED VALVE
2.	06114VAL	1	FLOW CONTROL VALVE
3.	0614VAL	1	CHECK VALVE
4.	0615VAL	1	POWER VALVE (3/4")
5.	06150VAL	1	AIR ONLY VALVE (1")
6.	08101REG	1	REGULATOR
7.	09022GAU	1	AIR GAUGE
8.	100500BRV	1	MUFFLER
9.	1601OIL	1	OILER
10.	1903HOS	*	TUBING (1/4")(* VARIOUS LENGTHS)
11.	19040HOS	1	HOSE (1" X 30")
12.	2003FIT	1	HOSE FITTING (3/4")
13.	20031FIT	1	HOSE FITTING (1")
14.	2006FIT	1	PIPE TO QK COUP END (3/4")
15.	2035FIT	1	MALE RUN TEE
16.	2041FIT	1	AIR FITTING
17.	2050FIT	2	AIR FITTING
18.	2051FIT	3	AIR FITTING
19.	2067FIT	1	AIR FITTING
20.	2155PFT	1	STREET EL (3/4") 90
21.	2160PFT	1	STREET EL (1")
22.	2519BLT	4	BOLT (5/16" X 3/4")
23.	2719NUT	4	LOCKNUT (5/16")
24.	HOS1511	1	HOSE TO DRILL MOTOR
25.	VER1068	1	MANIFOLD
26.	VER1069	1	VALVE MOUNT
27.	VER1070	1	MUFFLER ADAPTER

FEED BAR ASSEMBLY

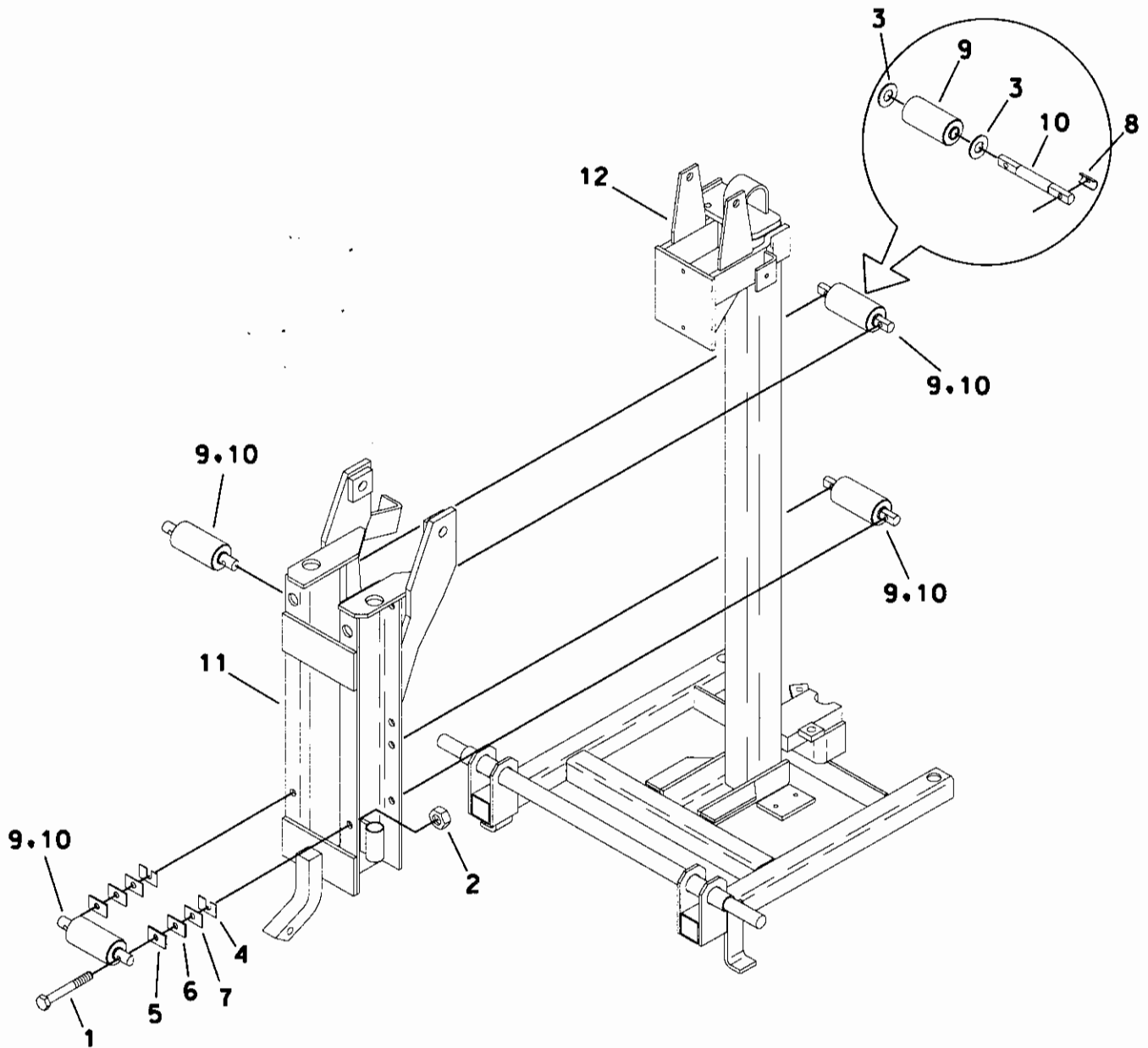


FNG81001-40

FEED BAR ASSEMBLY

ITEM	PART NO	QTY	DESCRIPTION
1.	0501CYL	1	CYLINDER CLEVIS
	3002PIN	1	CLEVIS PIN
	3022PIN	1	COTTER PIN
2.	05140CYL	1	LIFT CYLINDER
	171601RPT		SEAL KIT (2-1/2" BORE PARKER CYL)
3.	1108MCP		DRILL STEM BUSHING (5/8" BIT DIA.)
	1109MCP		DRILL STEM BUSHING (3/4" BIT DIA.)
	1110MCP		DRILL STEM BUSHING (7/8" BIT DIA.)
	1111MCP		DRILL STEM BUSHING (1" BIT DIA.)
	1112MCP		DRILL STEM BUSHING (1-1/8" TO 2-1/2" BIT DIAMETER)
4.	1903HOS	*	TUBING (1/4")(* VARIOUS LENGTHS)
5.	2052FIT	2	AIR FITTING (1/4" X 3/8", 90)
6.	2501BLT	1	BOLT (1/4" X 3/4")
7.	2503BLT	4	BOLT (1/4" X 1")
8.	2516BLT	4	FINE BOLT (5/16" X 3/4")
9.	2541BLT	1	BOLT (3/8" X 1-1/2")
10.	2562BLT	1	BOLT (1/2" X 1-1/2")
11.	2564BLT	1	BOLT (1/2" X 2-1/2")
12.	2572BLT	1	BOLT (1/2" X 4-1/2")
13.	2716NUT	4	LOCKNUT (1/4")
14.	2727NUT	1	LOCKNUT (3/8")
15.	2734NUT	1	LOCKNUT (1/2")
16.	2801WAS	2	WASHER (1/4")
17.	2810WAS	4	LOCKWASHER (5/16")
18.	2831WAS	2	WASHER-THICK (1/2") MACHINERY BUSHING
19.	3030PIN	1	LANYARD
20.	CRA0218	1	CARRIAGE LOCK
21.	MFA0609	1	BIT GUIDE
22.	MFA0626	2	STOP PAD
23.	MFA0674	1	SWIVEL BOLT (INCLUDES REF NOS 10, 11,15,18,23 & 24)
24.	MFA0690	1	BIT GUIDE KEEPER
25.	MNF05021	1	FRAME UTIL 20
26.	VER1030	1	REAR CYLINDER BRACKET

CARRIAGE ASSEMBLY

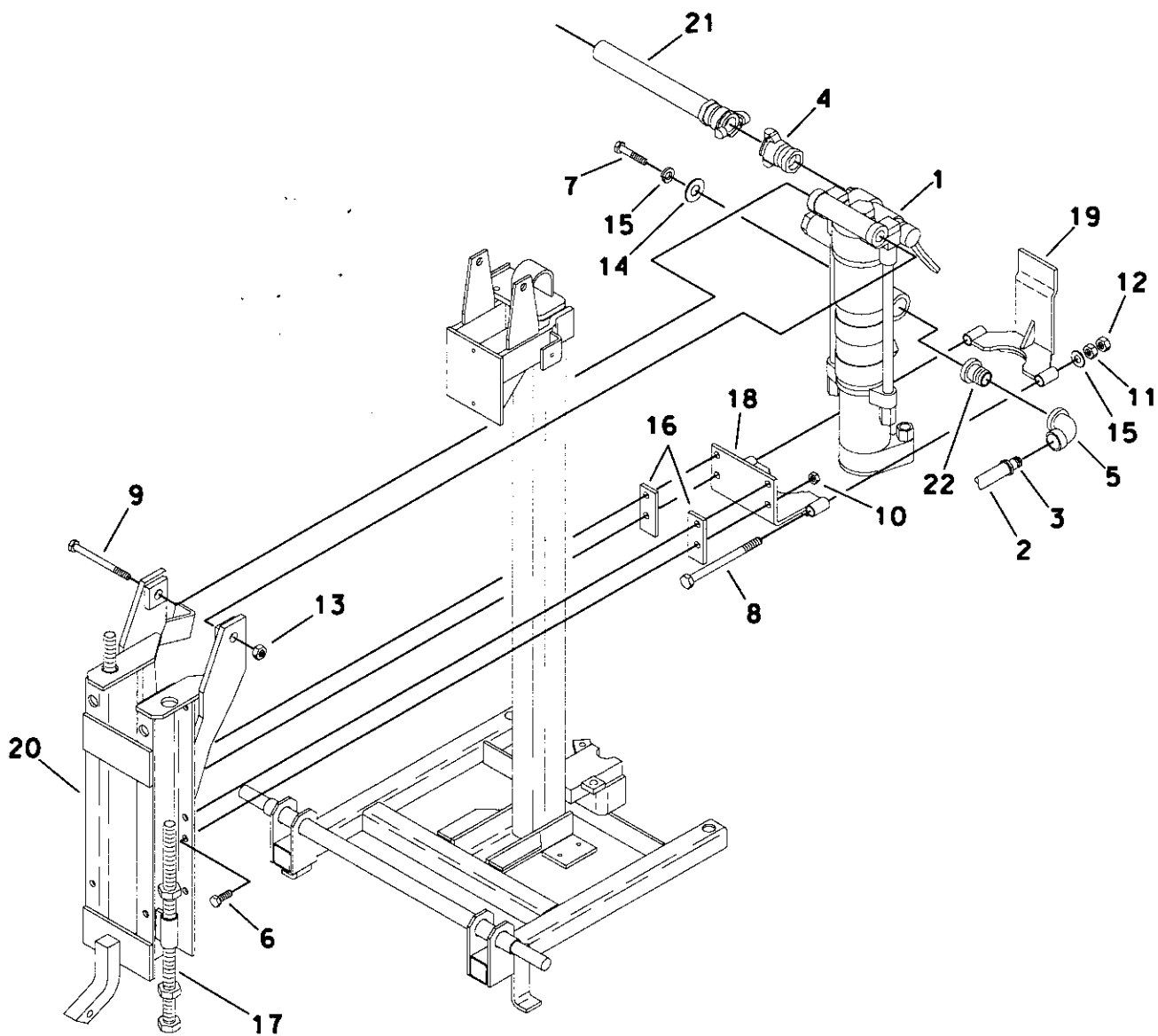


FNG81001-50

CARRIAGE ASSEMBLY

ITEM	PART NO	QTY	DESCRIPTION
1.	2526BLT	8	BOLT (5/16" X 1-1/2")
2.	2719NUT	8	LOCKNUT (5/16")
3.	2841WAS	8	WASHER (5/16")
4.	7009TAB	4	STAINLESS STEEL SHIM
5.	7011TAB	8	SHIM (12 GA)
6.	7012TAB	8	SHIM (18 GA)
7.	7013TAB	8	SHIM (22 GA)
8.	CRA0230	8	BEARING KEEPER
9.	CRA0233	4	ROLLER BEARING DRUM
10.	CRA0234	4	ROLLER BEARING AXLE
11.	CRG0104	1	CARRIAGE
12.	MNF05021	1	FRAME UTIL 20

CARRIAGE / AIR DRILL

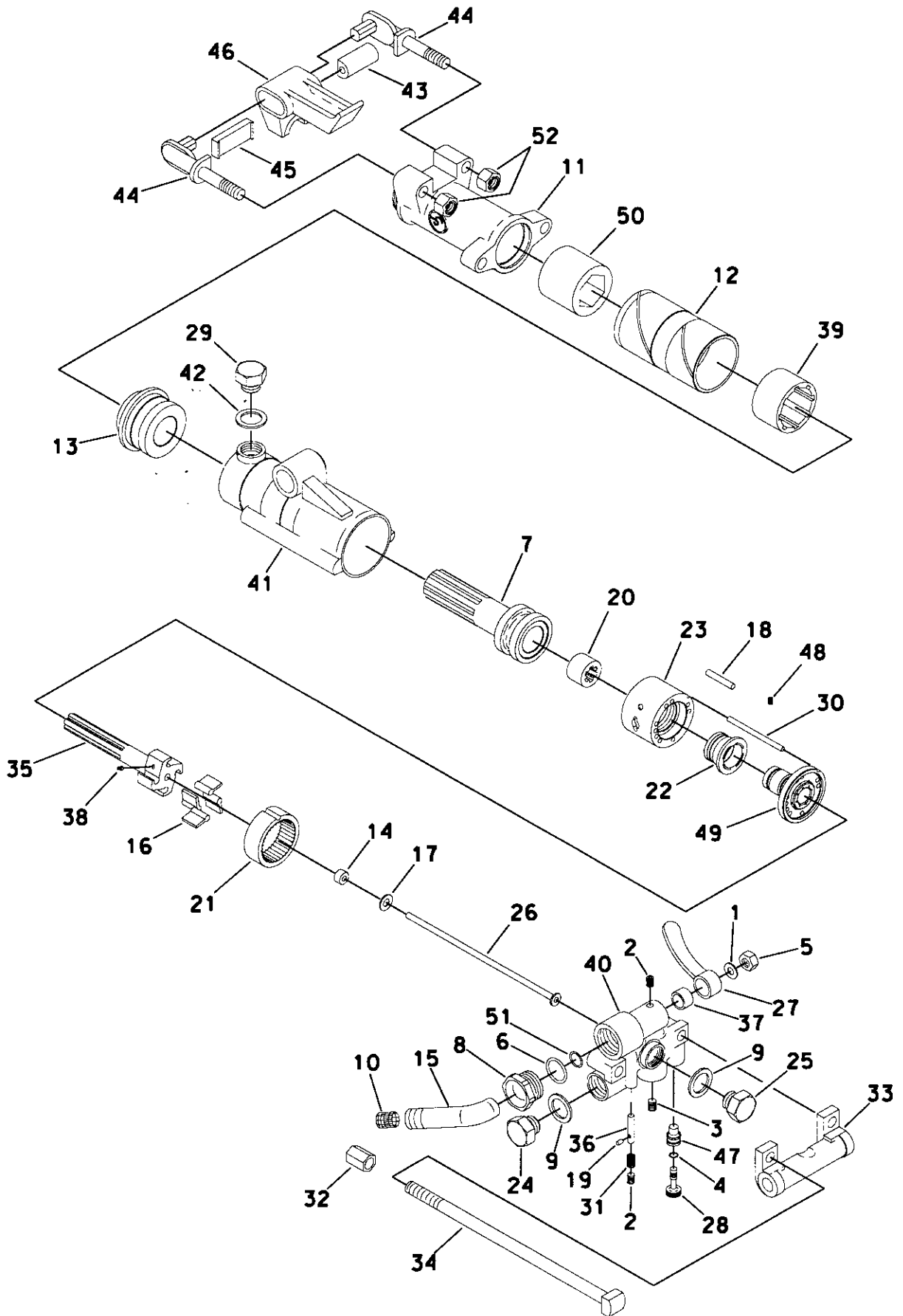


FNG81001-60

CARRIAGE / AIR DRILL

ITEM	PART NO	QTY	DESCRIPTION
1.	0101DRL	1	CP 32 A ROCK DRILL
2.	19040HOS	1	DRILL MOTOR TO MUFFLER (30")
3.	19991FIT	1	HOSE SWIVEL (1" MP X 1")
4.	2009FIT	1	HOSE FITTING
5.	2152PFT.	1	PIPE FITTING
6.	2540BLT	4	BOLT (3/8" X 1-1/4")
7.	2542BLT	1	BOLT (1/2" X 3/4")
8.	2570BLT	2	BOLT (1/2" X 4")
9.	2590BLT	1	BOLT (5/8" X 8")
10.	2727NUT	4	LOCKNUT (3/8")
11.	2732NUT	2	STANDARD NUT (1/2")
12.	2734NUT	2	LOCKNUT (1/2")
13.	2742NUT	1	LOCKNUT (5/8")
14.	28300WAS	1	WASHER (1/2" X 1-3/4")
15.	2832WAS	3	LOCKWASHER (1/2")
16.	7010TAB	2	SHIM (16 GA - 2 HOLE)
17.	CRA0202	2	STOP ROD
18.	CRA0214	1	BRACKET
19.	CRA0216	1	BRACKET
20.	CRG0104	1	CARRIAGE
21.	HOS1511	1	DRILL MOTOR TO OILER
22.	VER1067	1	VALVE MOUNT

CP0032A SINKER DRILL MODEL "L"



0101DRL-20

CP0032A SINKER DRILL MODEL "L"

ITEM	PART NO	QTY	DESCRIPTION
1.	C036717	1	LOCKWASHER-VALVE HANDLE (1/2")
2.	C068064	2	PLUG-PIPE (1/8")
3.	C068799	1	PLUG-PIPE (1/4")
4.	C079489	1	O-RING (-008)
5.	P002149	1	NUT-HEX (THIN 1/2" - 20)
6.	P103521	1	O-RING (-128)
7.	R000088	1	PISTON
8.	R000530	1	NUT-AIR INLET SWIVEL
9.	R000537	2	GASKET-TUBE PLUG
10.	R005584	1	SCREEN-AIR INLET
11.	R041320	1	FRONTHEAD (7/8" HEX X 3-1/4")
	R041323	1	FRONTHEAD (7/8" HEX X 4-1/4" & 1" HEX X 4-1/4")
12.	R041321	1	SLEEVE-CHUCK (7/8" HEX X 3-1/4")
	R041324	1	SLEEVE CHUCK (7/8" HEX X 4-1/4" & 1" HEX X 4-1/4")
13.	R042161	1	BUSHING-CYLINDER
14.	R075099	1	RUBBER-AIR TUBE
15.	R075265	1	SWIVEL-AIR INLET
16.	R075267	4	PAWL
17.	R075449	1	WASHER-AIR TUBE
18.	R075772	1	PIN-VALVE CASE DOWEL
19.	R075802	1	PIN-VALVE PLUNGER
20.	R075839	1	NUT-RIFLE BAR (STEEL)
	R075826	1	NUT-RIFLE BAR (BRONZE)
21.	R076194	1	RING-RATCHET
22.	R076263	1	VALVE
23.	R076264	1	CASE-VALVE
24.	R076372	1	PLUG-WATER CONNECTION
25.	R076793	1	PLUG-AIR TUBE
26.	R077184	1	TUBE-AIR
27.	R079124	1	HANDLE-THROTTLE VALVE
28.	R079130	1	WATER VALVE PORT PLUG COMPLETE (INCL REF NO 53)
29.	R085611	1	PLUG-OIL (INCL REF NO 45)
30.	R085625	1	STEM-OIL REGULATING
31.	R085671	1	SPRING-VALVE PLUNGER
32.	R085756	2	NUT-THRU BOLT
33.	R086608	1	BRACKET-HANDLE
34.	R086623	2	BOLT-THRU
35.	R086622	1	BAR-RIFLE
36.	R086627	1	PLUNGER-THROTTLE VALVE
37.	R086628	1	VALVE-THROTTLE
38.	R086654	4	SPRING-PAWL
39.	R086733	1	NUT-CHUCK ROTATION
40.	R087948	1	BACKHEAD (INCL REF NO 47)
41.	R087990	1	CYLINDER (INCL REF NO 38)
42.	R091176	1	GASKET-OIL PLUG
43.	R093897	1	BUFFER-RETAINER
44.	R093896	2	TRUNNION-RETAINER)
45.	R093898	1	RETAINER-LATCH SHOE
46.	R093913	1	RETAINER (7/8" HEX)
	R093895	1	RETAINER (1" HEX)
47.	R098054	1	BUSHING-WATER VALVE
48.	R098084	1	PLUG-OIL REGULATING
49.	R098085	1	BUSHING-VALVE GUIDE
50.	R099374	1	CHUCK (7/8" HEX X 3-1/4")
	R093891	1	CHUCK (7/8" HEX X 4-1/4")
	R093890	1	CHUCK (1" HEX X 4-1/4")
51.	R110317	1	O-RING (.978 I.D.)
52.	R005742	2	NUT-ELASTIC STOP (5/8" -11)