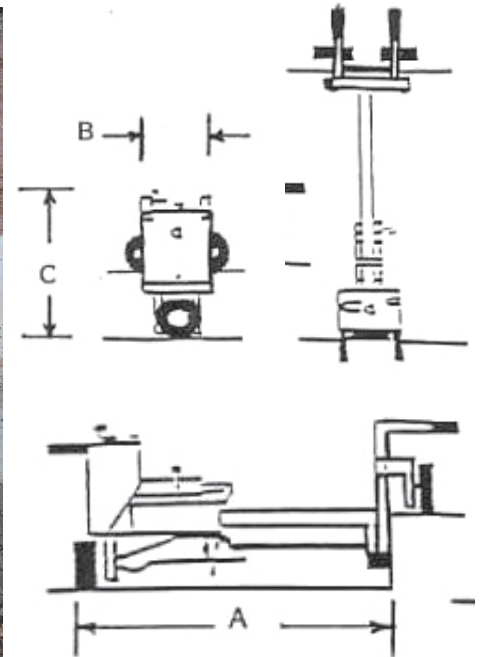
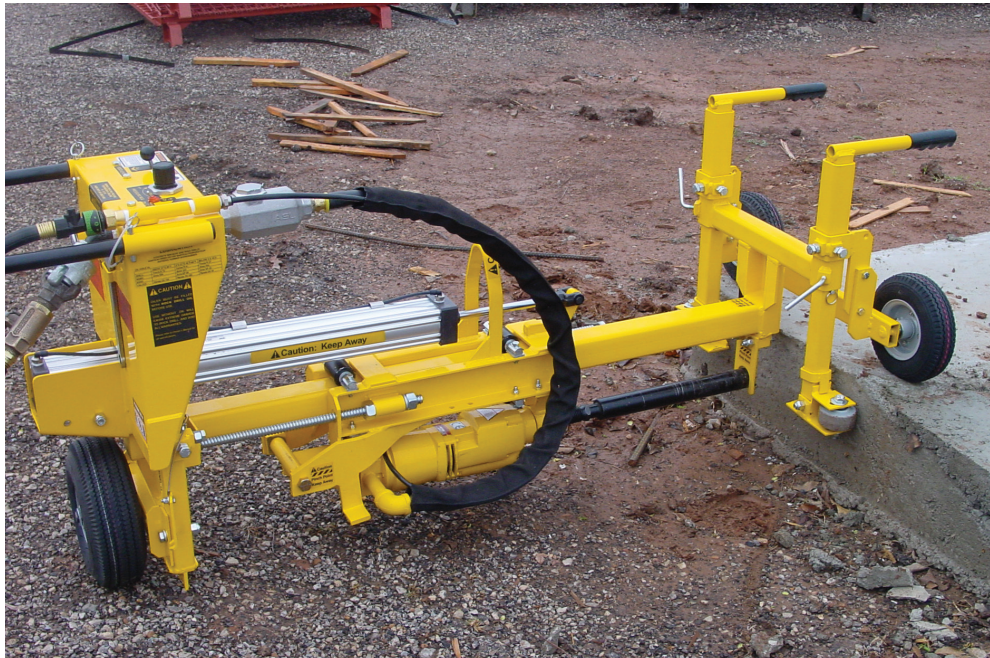


Specifications >>

Model 240B



	Horizontal Position >>	Vertical Position >>
Lower Length (A)	51 3/8" (130.5 cm)	24 1/2" (62.2 cm)
Lower Length w/ back wheel removed	46" (116.8 cm)	N/A
Width (B)	12" (30.5 cm)	30" (76.2 cm)
Height (C)	30" (76.2 cm)	56" (142.2 cm)
Weight	285 lbs (104.4 kg)	
Drill distance from corner	6" (15.2 cm)	3" (7.6 cm)
Drill distance from ground	18" (7.6 cm)	up to 12" (30.5 cm)
Drill depth (std.)	18" (45.7 cm)	
Drill bit diameter	5/8" to 2 1/2" (15.9 mm to 63.5 mm)	
Rock Drill motor (pneumatic)	CP 32A	
Weight	54 lbs (24.5 kg)	
Chuck size (std.)	7/8" x 3 1/4" (22.2 mm x 82.6 mm)	
Air consumption (minimum)	100 cfm (2.8m3/min)	
Operating pressure	90 psi (6.2 bar)	
Impact (ft. lbs./blow)	36 fpb (49.0 J)	
Blows/minute	2200 bpm	
Rotations/minute	288 rpm	
Core Drill motor (pneumatic)	CS Unitec	
Weight	18 lbs (8 kg)	
Bit connection	1 1/4" x 7" UNC	
Air consumption (minimum)	77 cfm (2.2m3/min)	
Air motor	2.1 HP (1.6 kW)	
3 - speed (rpm)	400, 900, 1600	

*Specifications subject to change without notice.