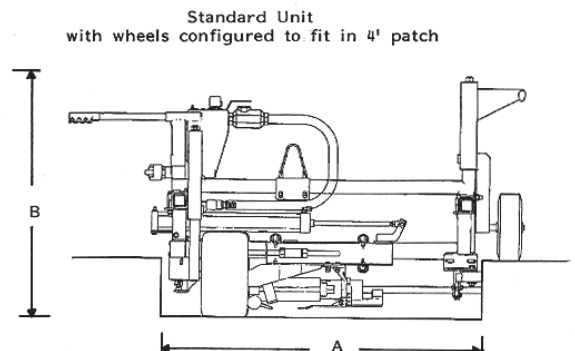
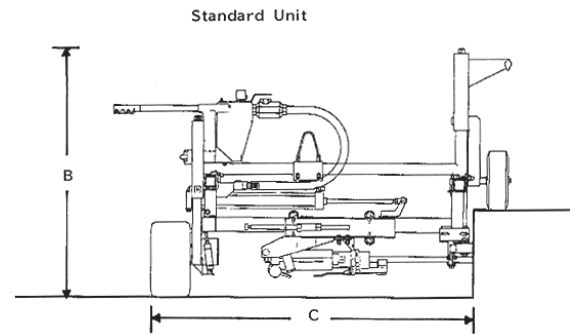


## Specifications >>

## Model 210B-2



	Horizontal Position >>	Vertical Position >>
Lower Length (A)	48" (121.9 cm)	N/A
Lower Length (C)	56" (142.2 cm)	N/A
Overall Length	61" (154.9 cm)	N/A
Width	Varies	N/A
Height (B)	37" (94.0 cm)	N/A
Weight	710 lbs (322.3 kg)	
Drill distance from corner	6" (15.2 cm)	N/A
Drill distance from ground	3" (7.6 cm)	Up to 12" (30.5 cm)
Drill depth (std.)	18" (45.7 cm)	
Drill bit diameter	5/8" to 2 1/2" (15.9 mm to 63.5 mm)	
Drill motor (pneumatic)	CP 32A	
Weight	54 lbs (24.5 kg)	
Chuck size (std.)	7/8" x 3 1/4" (22.2 mm x 82.6 mm)	
Air consumption (minimum)	200 cfm (5.6 m3/min)	
Operating pressure	90 psi (6.2 bar)	
Impact (ft. lbs./blow)	36 fpb (49.0 J)	
Blows/minute	2200 bpm	
Rotations/minute	288 rpm	

\*Specifications subject to change without notice.