

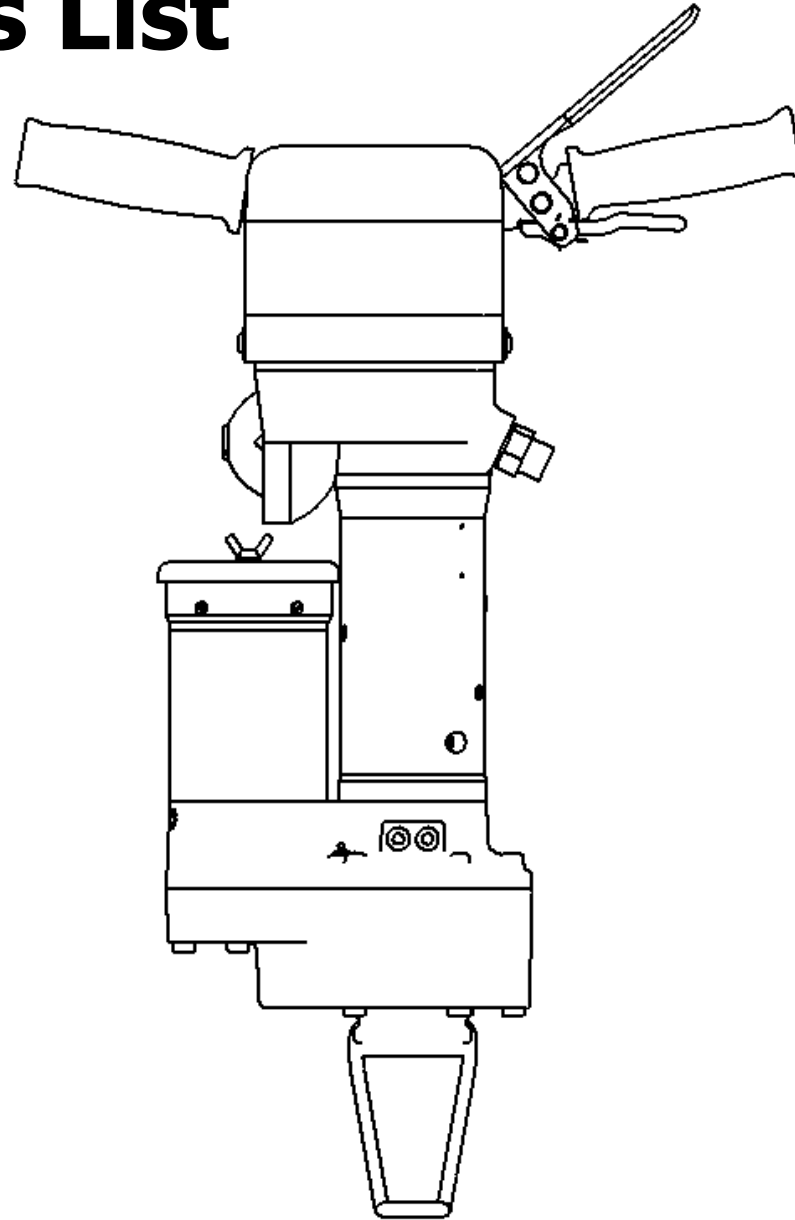
HRD30 Spare Parts List

HYCON Rock Drill

From Serial No.
17009 -

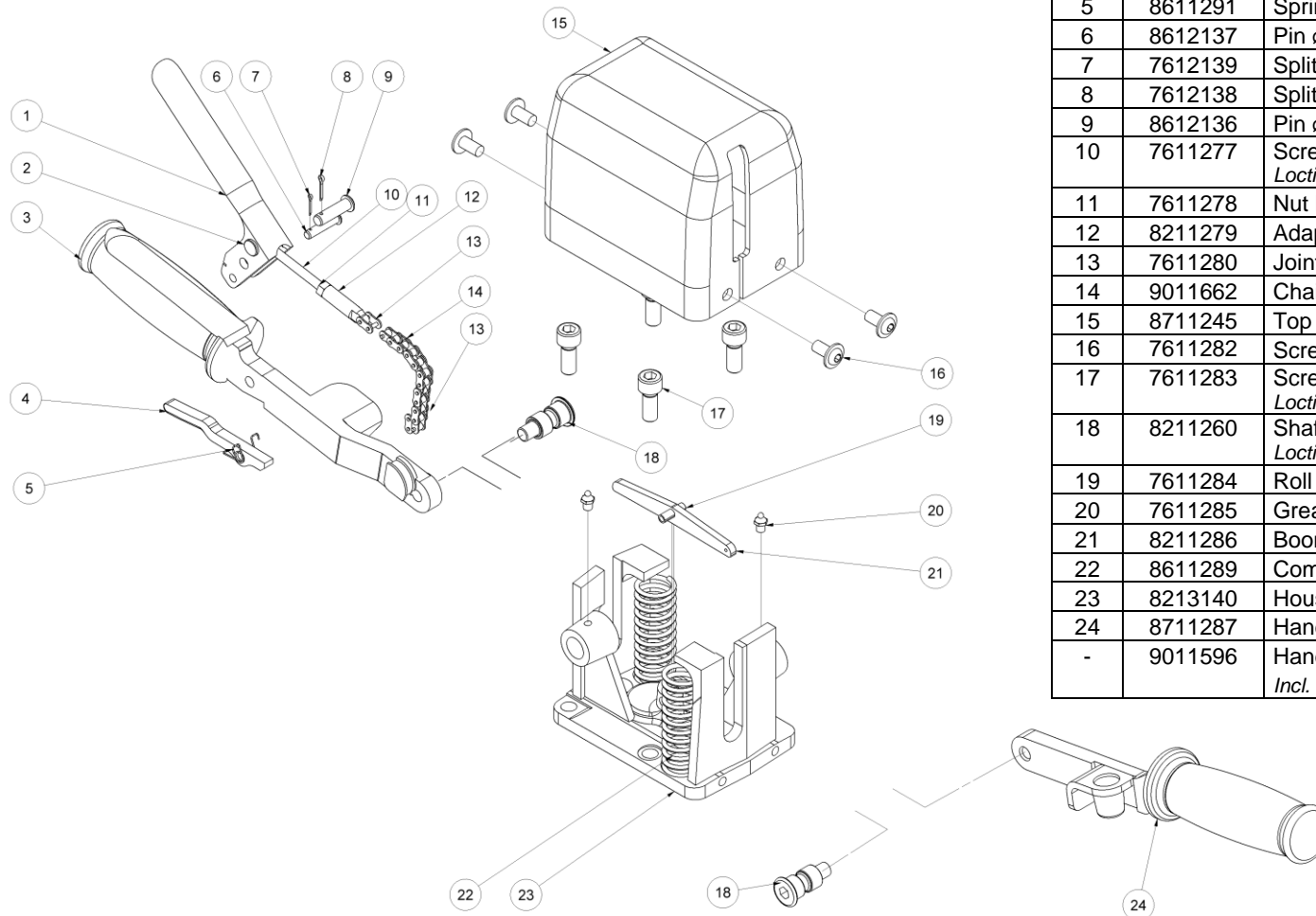


Revised 01-08-2019



HRD30 parts list

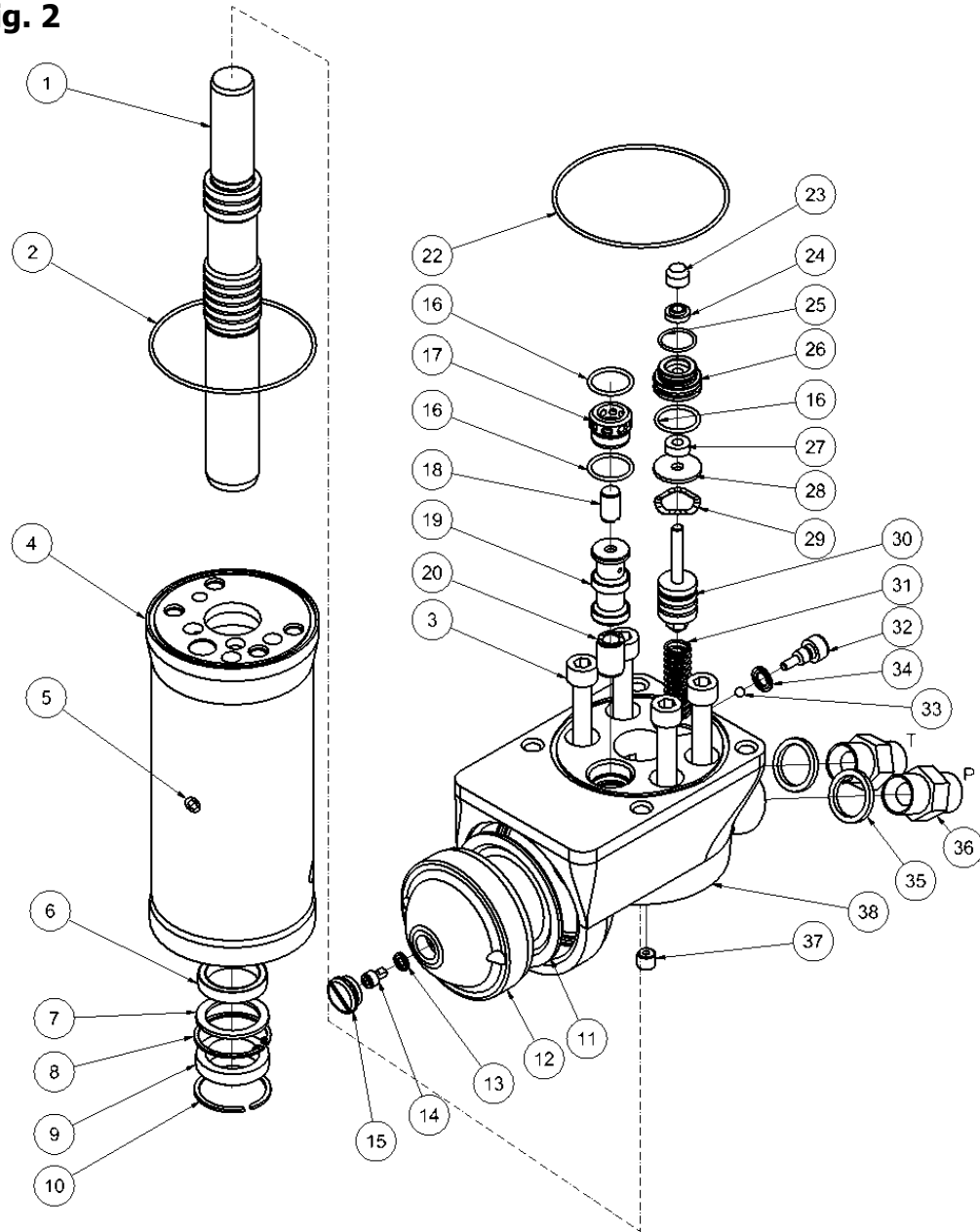
Fig. 1



Pos.	Part No.	Description	Pcs.
1	8211270	Trigger lever	1
2	8211271	Cross pin	1
3	8711275	Handle (trigger side)	1
4	8211273	Safety trigger	1
5	8611291	Spring	1
6	8612137	Pin $\varnothing 6 \times 27$	1
7	7612139	Split pin $\varnothing 1.6 \times 10$	1
8	7612138	Split pin $\varnothing 2.0 \times 12$	1
9	8612136	Pin $\varnothing 8 \times 27$	1
10	7611277	Screw M6x80 <i>Loctite 243</i>	1
11	7611278	Nut M6	1
12	8211279	Adaptor	1
13	7611280	Joint	2
14	9011662	Chain	1
15	8711245	Top cover w/logo	1
16	7611282	Screw M8x16	4
17	7611283	Screw M10x25 <i>Loctite 243 - 80NM</i>	4
18	8211260	Shaft for handle <i>Loctite 243 - 80NM</i>	2
19	7611284	Roll pin 6x20	1
20	7611285	Grease nipple M6	2
21	8211286	Boom	1
22	8611289	Compression spring	2
23	8213140	Housing	1
24	8711287	Handle	1
-	9011596	Handle complete <i>Incl. all positions except 15, 16 and 17</i>	1

HRD30 parts list

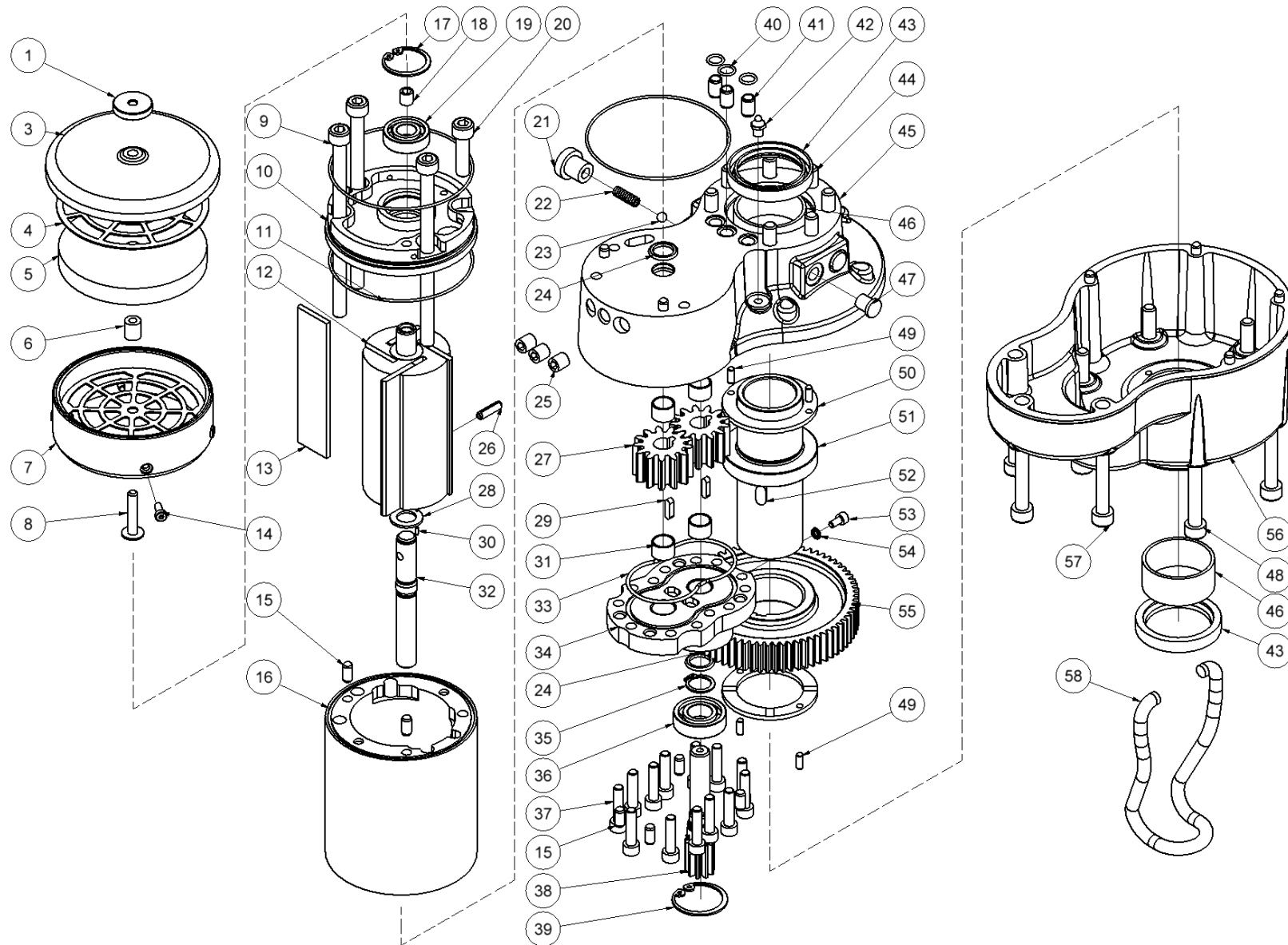
Fig. 2



Pos.	Part No.	Description	Pcs.
-	4141358	1/2" tailhose-set 0.3 m	1
-	7401141	Q.R. coupling 1/2" BSP male	1
-	7401142	Q.R. coupling 1/2" BSP female	1
1	8213138	Striking piston	1
2	7511247	O-ring 82x2	1
3	7611244	Screw M10x75 <i>Tighten crosswise 20-40-80 Nm</i>	4
4	9013209	Cylinder	1
5	7621037	Pipe plug 1/8"	6
6	7511231	Seal $\varnothing 28/\varnothing 36 \times 5.7$	1
7	8211257	Supporting washer 28.7x38x2.0	1
8	7611258	Retaining ring	1
9	7511233	Rod wiper	1
10	7611259	Spring ring	1
11	7711091	Diaphragm	1
12	8211216	Accumulator cover	1
13	7511268	Seal ring M5	1
14	8611269	Screw M5 f/accumulator	1
15	8211256	Plug	1
16	7511248	O-ring 20x2	2
17	8213136	Sleeve	1
18	8213134	Pilot Spool Small	1
19	8213133	Spool	1
20	8213135	Pilot Spool Big	1
22	7511246	O-ring 88x2	1
23	8211227	Distance piece	1
24	7521013	Wiper	1
25	7511300	O-ring 17x1.5	1
26	8211226	Seal housing	1
27	7521014	Seal	1
28	8211251	Washer	1
29	7611252	Crinkled spring washer 23.8x17.3x0.3	1
30	9011750	Trigger piston complete	1
31	8611249	Compression spring 1.25x12.5x62.5	1
32	8611255	Screw M8 f/lock nut	1
33	7611253	Ball $\varnothing 5$ mm	1
34	7511254	Seal ring M8	1
35	7521072	Seal ring 1/2"	2
36	7421063	Fitting 1/2"x1/2" BSP <i>Only for tail-hoses with female thread</i>	2
36	7421343	Fitting 1/2"x3/4" JIC <i>Only for tail-hoses with female thread</i>	2
37	8213139	Nozzle	1
38	8213132	Valve housing	1
-	9011378	Seal kit	1

HRD30 parts list

Fig. 3



HRD30 parts list

Fig. 3

Pos.	Part No.	Description	Pcs.
1	7613227	Nut M6	1
3	8713204	Cover f/ air filter	1
4	8213197	Screen f/airfilter	1
5	7613195	Air filter	1
6	8213226	Distance piece	1
7	8213196	Air Filter Housing	1
8	7623062	Screw M6x30	1
9	7613192	Screw M8x130 40 Nm	4
10	8213187	Lid f/ compressor	1
11	7513186	O-ring 85x1,5	3
12	8213229	Rotor f/ compressor	1
13	9013230	Vane set (4 vanes pr set)	1
14	7613199	Screw M4x10	4
15	7631391	Cylinder pin ø6x12	12
16	8213185	Housing f/ compressor	1
17	7613190	Retaining ring	1
18	7613191	Pipe plug MF8	1
19	7613189	Ball Bearing	1
20	7621045	Screw M8x30 40 Nm	
21	8213171	Pipe plug 1/8"	1
22	8613175	Compression spring HRD	1
23	7613176	Ball ø6 mm	1
24	7532774	Seal	2
25	7621037	Pipe plug 1/8"	3
26	7613231	Cylinder pin ø5x18	
27	8232801	Gear HRD	2
28	8213210	Thrust Washer	2
29	7632780	Key	2
30	7613183	Cylinder pin Ø1,5x6	2
31	7632777	Bearing Ø12x10	4
32	8213180	Shaft f/ compressor	1

Pos.	Part No.	Description	Pcs.
33	7532776	O-ring ø62x2	1
34	8213168	Cover f/motor rock drill	1
35	7632649	Retaining ring A15	1
36	7632538	Ball bearing	1
37	7611243	Screw M6x25 Loctite 243 - 7.5 Nm	13
38	8213164	Gear HRD Small	1
39	7632995	Retaining ring	1
40	7532540	O-ring 8x1.5	3
41	8213174	Bushing HRD	3
42	7611285	Grease nipple straight	1
43	7513200	Seal ø40/ø52x8	2
44	7611574	Screw M8x60 Loctite 243 - 40 Nm	7
45	8213161	Nosepart HRD Upper	1
46	7613170	Plain Bearing HRD	2
47	7723046	Plug	4
48	7611572	Screw M8x80 Loctite 243 - 40 Nm	5
49	7613194	Cylinder pin Ø4x10	4
50	8213169	Thrust Washer	2
51	8213163	Bushing HEX 22x108 HRD	1
52	7613172	Key	1
53	7613178	Screw M4x8	1
54	7513177	Seal ring M4	1
55	8213165	Gear HRD Large	1
56	8213162	Nosepart HRD Lower	1
57	7613179	Screw M8x45 Loctite 243 - 40 Nm	3
58	8213193	Drill Latch	1
-	9013208	Seal kit	1