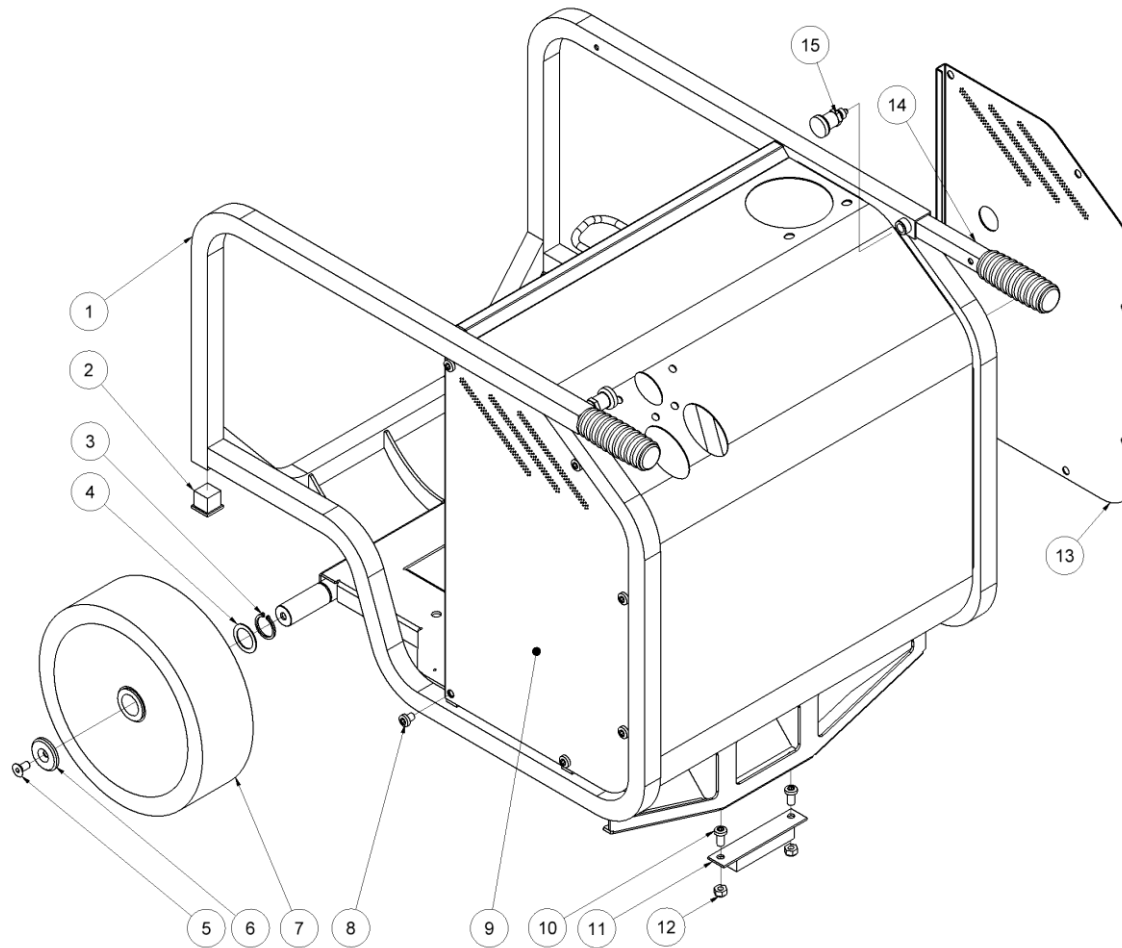


# HPP13 FLEX spare parts list

## From serial No. 13671

Fig. 1

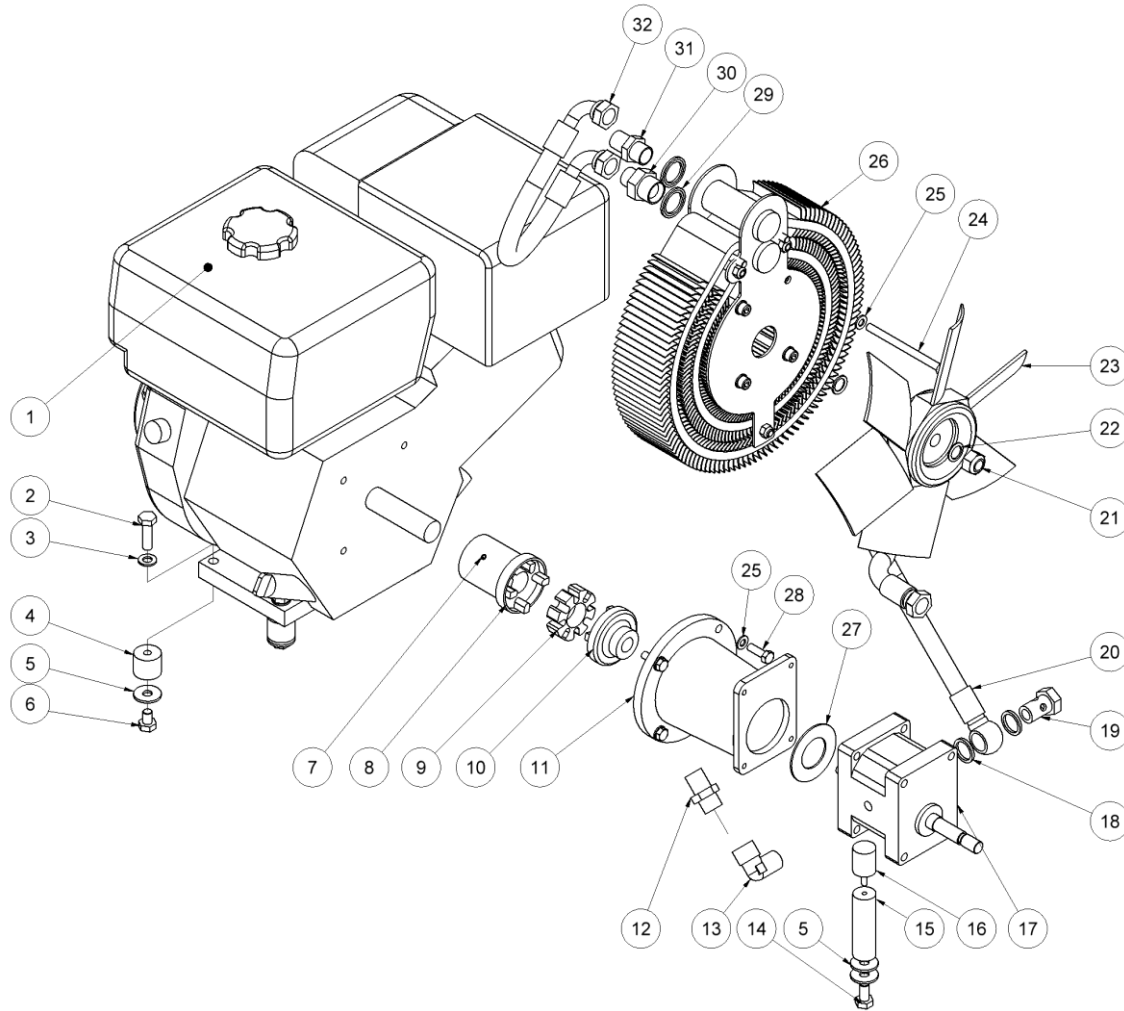


Pos.	Part No.	Description	Pcs.
1	8223316	Chassis complete HPP13/13 FLEX	1
2	7721125	Tube plug 25x25	2
3	7621098	Retaining ring 25x2	2
4	7621100	Shim ring 25/35/1 mm	2
5	7632539	Screw M8x16	2
6	8223321	Wheel lock	2
7	7721139	Flat-free rubber wheel	2
8	7621042	Screw M8x10	12
9	8223320	Side cover Right	1
10	7621044	Screw M8x16	2
11	8721095	Rubber foot	1
12	7621010	Lock nut M8	2
13	8223319	Side cover Left	1
14	9022429	Pull-out handle w/rubber grip	2
15	7721197	Bolt Loctite 243	2

# HPP13 FLEX spare parts list

## From serial No. 13671

Fig. 2

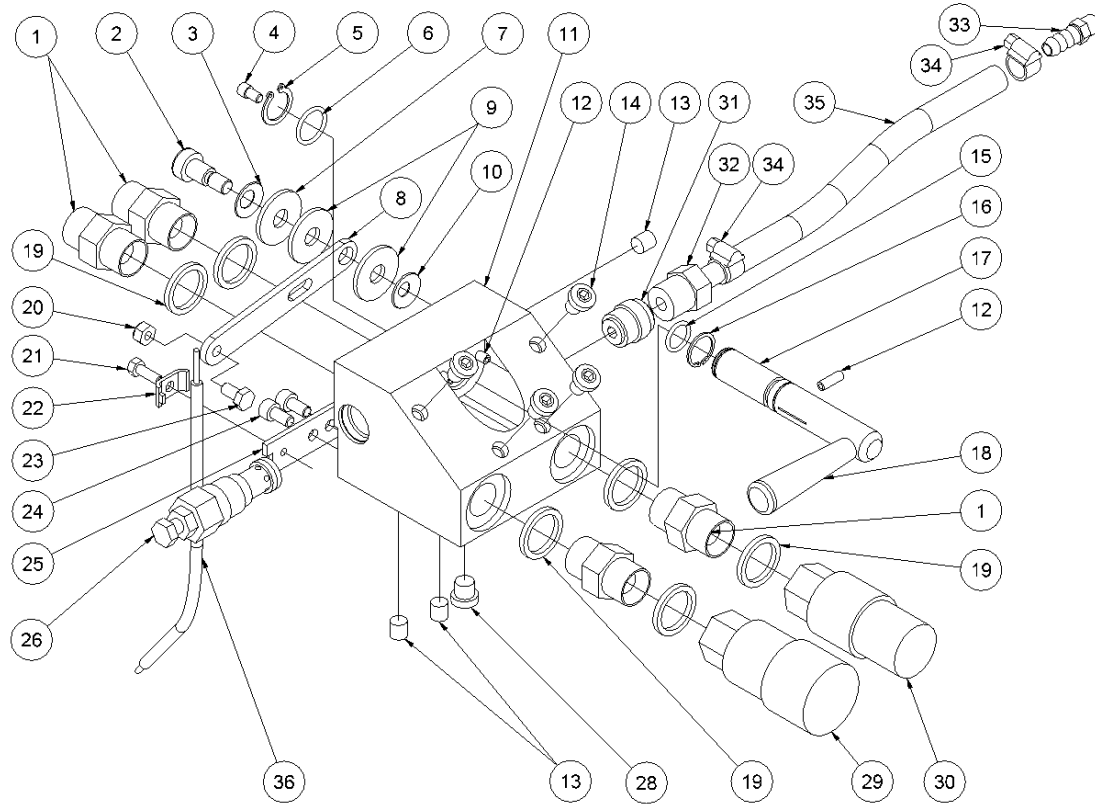


Pos.	Part No.	Description	Pcs.
1	7321144	Engine 13 HP Honda GX390	1
2	7621163	Screw M10x35	4
3	7621172	Washer M10	4
4	8722356	Rubber damper $\varnothing 30 \times 25$	4
5	7621034	Washer M10	6
6	7623324	Screw M10x14	4
7	7621032	Set screw M6x8 <i>Loctite 243 - 5 Nm</i>	1
8	7421066	Coupling engine part	1
9	7421083	Rubber coupling	1
10	7421067	Coupling pump <i>20 Nm</i>	1
11	7421068	Coupling housing	1
12	7421080	Hose fitting 3/4"x1/2" <i>Loctite 542</i>	1
13	7421060	Angle nipple 1/2" <i>Loctite 542</i>	1
14	7621334	Screw M10x20 <i>Loctite 243</i>	1
15	8221174	Supporting leg	1
16	8721166	Rubber damper M6x18 <i>Loctite 638</i>	1
17	7421077	Pump 8.3 ccm	1
18	7521072	Seal ring 1/2"	2
19	7421062	Banjo bolt 1/2" <i>80 Nm</i>	1
20	8721084	Feed line w/banjo	1
21	7621111	Nut M14x1.5 <i>40 Nm</i>	1
22	7621117	Spring washer M14	2
23	8321561	Fan $\varnothing 280-6$	1
24	7621043	Screw M8x110 <i>Loctite 243 - 15 Nm</i>	4
25	7621171	Washer M8	8
26	2121103	Cooler complete	1
27	9922133	Centering washer	1
28	7621038	Screw 5/16" UNFx25 <i>Loctite 243 - 20 Nm</i>	4
29	7521118	Seal ring 3/4"	2
30	7421582	Hose fitting 3/4"x1/2"	1
31	7421079	Hose fitting 3/4"x1/2"	1
32	8721630	Cooler pressure hose	1
-	9021667	Seal kit for hydraulic pump	1

# HPP13 FLEX spare parts list

## From serial No. 13671

**Fig. 3 HPP13 FLEX**

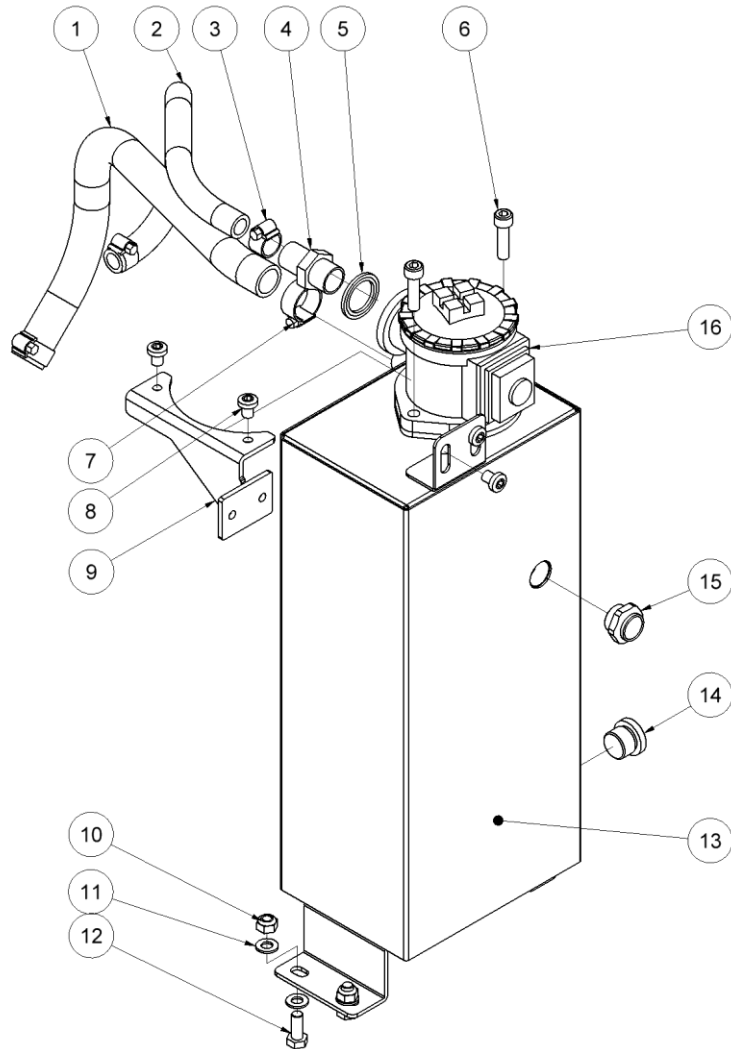


Pos.	Part No.	Description	Pcs.
1	7421063	Fitting 1/2"x1/2" BSP	4
2	7621647	Shoulder bolt $\varnothing 10/M8 \times 12$ <i>Loctite 638 - 20 Nm</i>	1
3	7621648	Disc spring $\varnothing 10.2/\varnothing 20 \times 0.8$	1
4	8621658	Screw M5x8 <i>Loctite 638</i>	1
5	7621606	Retaining ring A17	1
6	7521609	O-ring 17x2 mm	1
7	7621809	Washer 10x30x2	1
8	8221650	Eccentric plate <i>Grease with copper paste</i>	1
9	7621649	Nylon washer $\varnothing 10.5/30/2.5$	2
10	7621651	Disc spring $\varnothing 8.2/\varnothing 20 \times 1.0$	1
11	8221731	Valve block	1
12	7621050	Roll pin $\varnothing 5 \times 14$	3
13	7621037	Pipe plug 1/8" <i>Loctite 243</i>	3
14	7621044	Screw M8x16	4
15	7521608	O-ring 13x2 mm	1
16	7621607	Retaining ring AV17	1
17	8221792	Spool	1
18	7721094	Lever ON/OFF <i>Loctite 243</i>	1
19	7521072	Seal ring 1/2"	6
20	7621029	Nut M6	1
21	9921656	Screw M5	1
22	9921657	Cable clamp	1
23	8221652	Screw	1
24	7621653	Screw M6x12 <i>Loctite 243</i>	2
25	8221655	Cable plate	1
26	7421587	Pressure relief valve <i>40 Nm</i>	1
28	7621323	Threaded plug 1/8" w/seal	1
29	7401142	Q.R. coupling 1/2" BSP female	1
30	7401141	Q.R. coupling 1/2" BSP male	1
31	7421733	Check valve	1
32	7421735	Hose fitting 3/8"x1/2" <i>Loctite 542</i>	1
33	7421734	Hose fitting 3/8"x1/8"	1
34	7421740	Hose clip 3/8"	2
35	9021738	Hose 3/8"	1
36	9022064	Throttle cable complete	1
-	2121791	Valve block complete HPP13 FLEX	1

# HPP13 FLEX spare parts list

## From serial No. 13671

Fig. 4

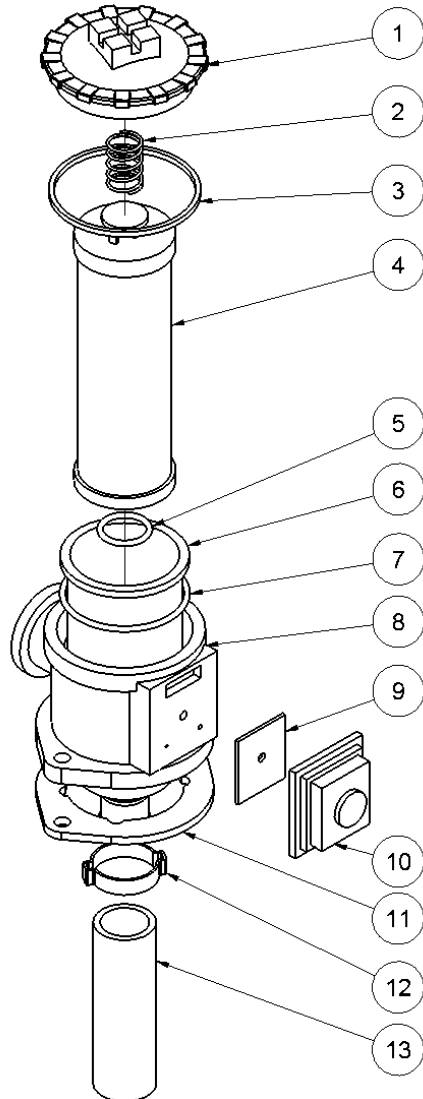


Pos.	Part No.	Description	Pcs.
1	8721071	3/4" hose	1
2	8721070	1/2" hose	1
3	7421081	Hose clip 1/2"	2
4	7421079	Hose fitting 1/2"x3/4"	1
5	7521118	Seal ring 3/4"	1
6	7621045	Screw M8x30 <i>Loctite 243</i>	2
7	7421082	Hose clip 3/4"	2
8	7621042	Screw M8x10	4
9	8223318	Tank Bracket	1
10	7621010	Lock nut M8	4
11	7621171	Washer M8	8
12	7632766	Screw M8x20	4
13	8223317	Hydraulic tank	1
14	7621075	Threaded plug 1/2" w/seal	1
15	7721099	Sight glass 1/2" w/seal	1
15	7621049	Screw M8x45	1
16	8421092	Filter complete <i>See fig.5</i>	1

# HPP13 FLEX spare parts list

## From serial No. 13671

Fig. 5



Pos.	Part No.	Description	Pcs.
1	9421189	Filter cover	1
2	9421193	Filter spring	1
3	9421502	Seal f/filter cover <i>Also included in 9421188</i>	1
4	9421190	Filter element	1
5	-	O-ring $\varnothing 3 \times 22$ <i>Included in 9421188</i>	1
6	-	Filter cup	1
7	-	O-ring $\varnothing 3 \times 60$ <i>Included in 9421188</i>	1
8	-	Filter housing	1
9	9422041	Ventilation filter	1
10	9422042	Cover f/ventilation filter	1
11	-	Seal <i>Included in 9421188</i>	1
12	7621789	Hose clamp	1
13	9022043	Filter hose	1
-	9421188	Seal kit filter <i>Pos. 3, 5, 7 and 11</i>	1
-	8421092	Filter complete <i>Pos. 1-13</i>	1