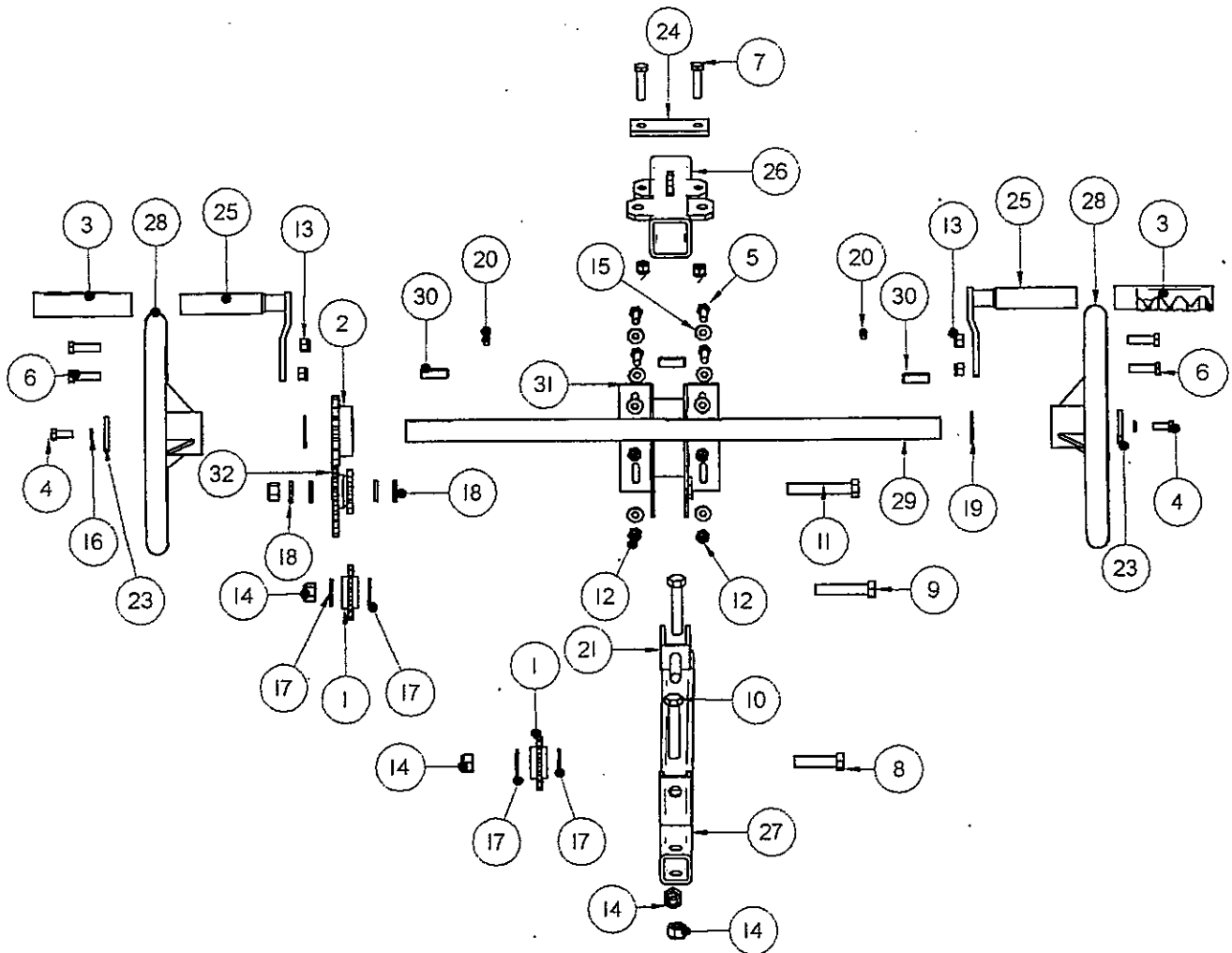


STEERING DRIVE ASSEMBLY



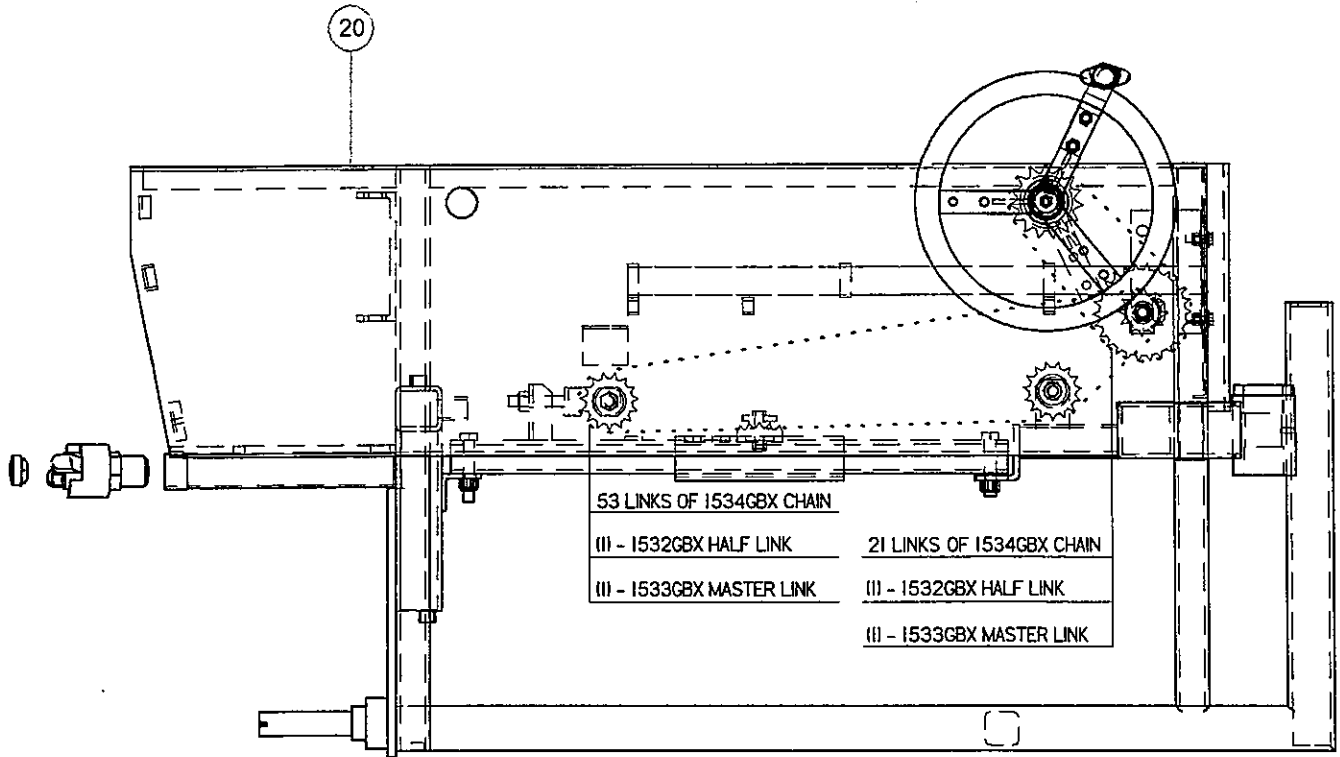
FNG814300-01

STEERING DRIVE ASSEMBLY

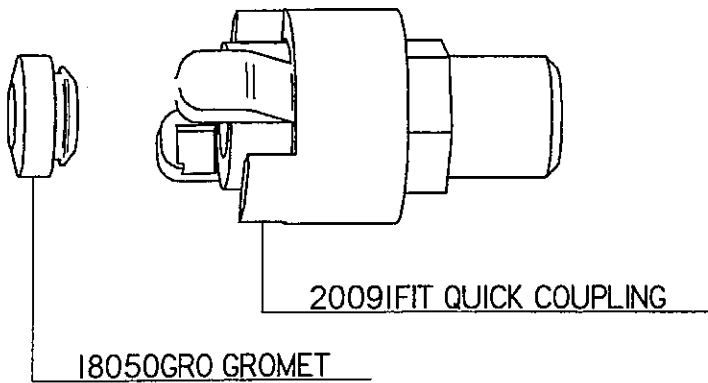
| Item Number | File Name | Quantity | Description |
|-------------|--------------|----------|-------------------------------|
| 1 | I5151GBX.par | 2 | IDLER SPROCKET |
| 2 | I519GBX.par | 1 | 15 TOOTH SPROCKET 1 1/8" BORE |
| 3 | I820GR0.par | 2 | HANDLE GRIP |
| 4 | 2519BLT.par | 2 | 5/16" X 3/4" BOLT |
| 5 | 2520BLT.par | 4 | 5/16" X 1" BOLT |
| 6 | 2540BLT.par | 4 | 3/8" X 1 1/4" BOLT |
| 7 | 2541BLT.par | 2 | 3/8" X 1 1/2" BOLT |
| 8 | 2563BLT.par | 1 | 1/2" X 2" BOLT |
| 9 | 2564BLT.par | 2 | 1/2" X 2 1/2" BOLT |
| 10 | 2566BLT.par | 1 | 1/2" X 2 3/4" BOLT |
| 11 | 2567BLT.par | 1 | 1/2" X 3" BOLT |
| 12 | 2719NUT.par | 4 | 5/16" NYLON LOCK NUT |
| 13 | 2727NUT.par | 6 | 3/8" LOCKNUT |
| 14 | 2734NUT.par | 6 | 1/2" LOCKNUT |
| 15 | 2801WAS.par | 8 | 1/4" FLAT WASHER |
| 16 | 2810WAS.par | 2 | 5/16" LOCK WASHER |
| 17 | 2830WAS.par | 4 | 1/2" WASHER |
| 18 | 2831WAS.par | 4 | 7/8"OD X 1/2"ID WASHER 10GA. |
| 19 | 2860WAS.par | 2 | 1 1/2" OD X 1" ID 5GA. WASHER |
| 20 | 9501MIS.par | 2 | GREASE ZERT |
| 21 | MFA06715.par | 1 | SPROCKET CLEVIS |
| 22 | MNF0528.asm | 1 | MAIN FRAME |
| 23 | SRS1608.par | 2 | STEERING WASHER CAP |
| 24 | SRS16160.par | 1 | STEERING CHAIN TIE DOWN |
| 25 | SRS1651.par | 2 | STEERING WHEEL SPINNER |
| 26 | SRUI3040.par | 1 | STEERING SLIDE |
| 27 | SRUI3041.par | 1 | STEERING SLIDE BAR |
| 28 | SRUI306.par | 2 | STEERING WHEEL |
| 29 | SRUI3070.par | 1 | STEERING WHEEL SHAFT |
| 30 | SRUI3071.par | 3 | 1/4" KEYWAY |
| 31 | SRUI313.par | 1 | CHAIN TIGHTENER |
| 32 | SRUI330.par | 1 | TRANSMISSION GEAR SPROCKET |

FNG814300-01

STEERING DRIVE ASSEMBLY

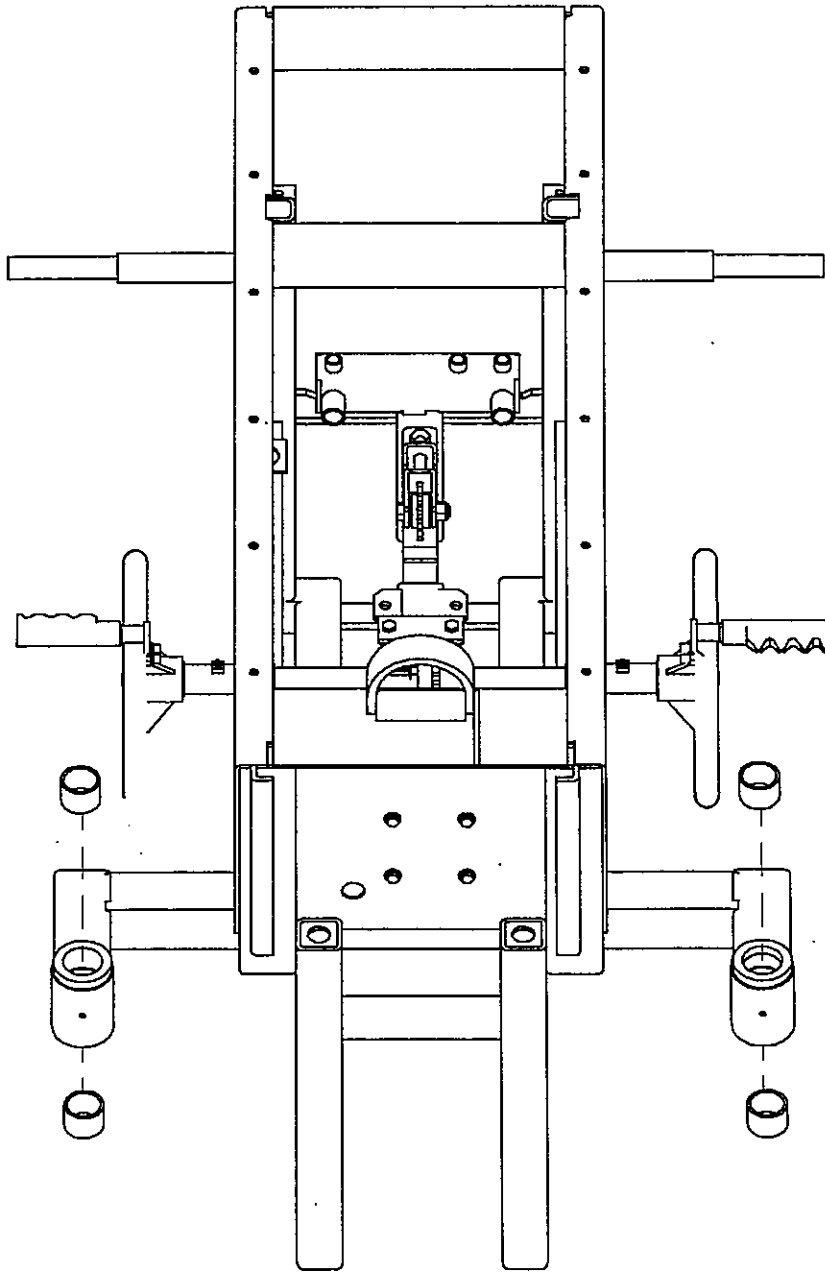


DOTTED LINES REPRESENT THE PATHS THAT 1534GBX 40 LINK CHAIN TAKE



FNG814300-01

STEERING DRIVE ASSEMBLY

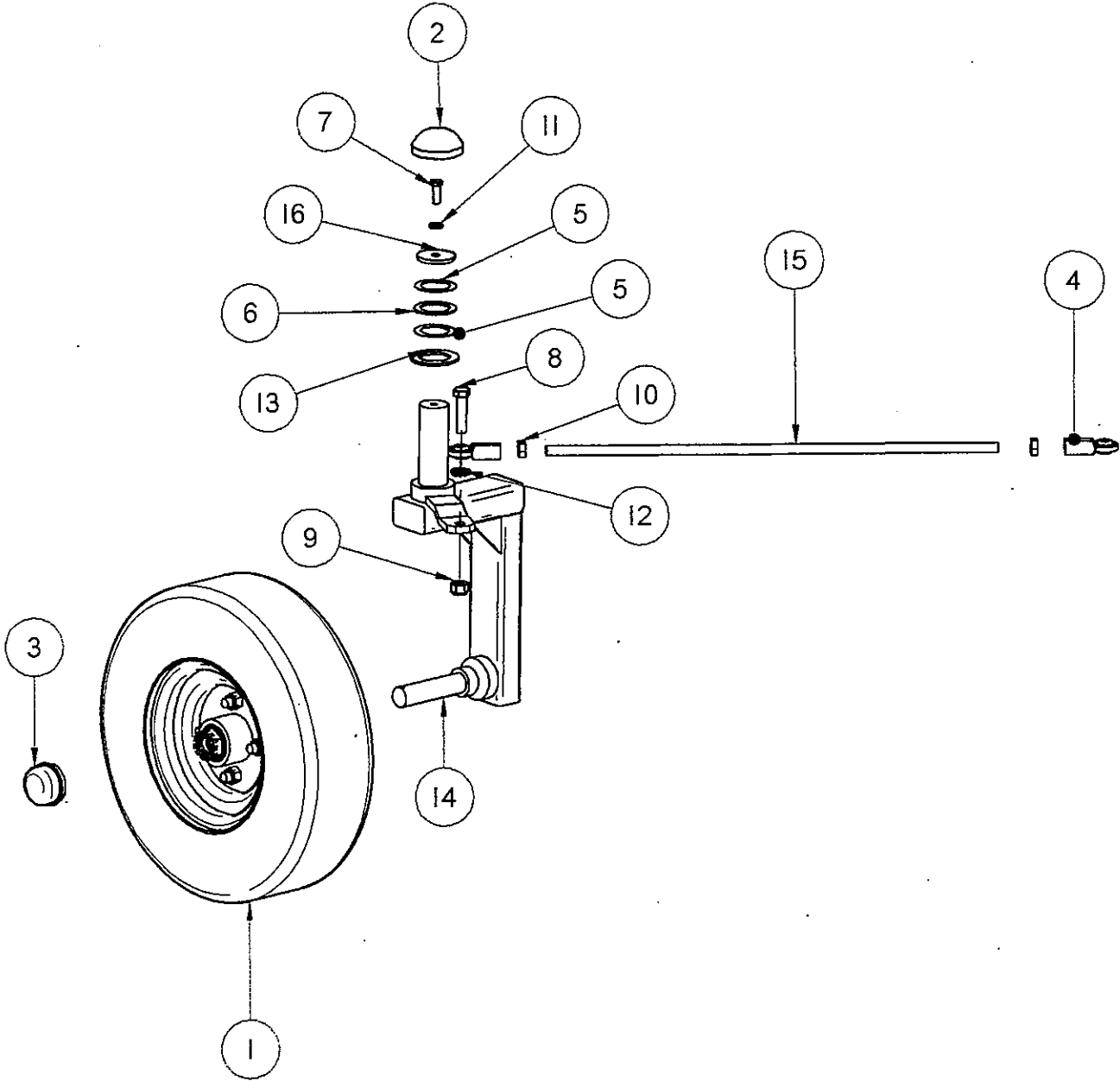


BRONZE BUSHING PART # 04066BRG QTY. 4

BUSHINGS MUST BE HONED TO FIT SPINDLE

FNG814300-01

RIGHT SPINDLE ASSEMBLY



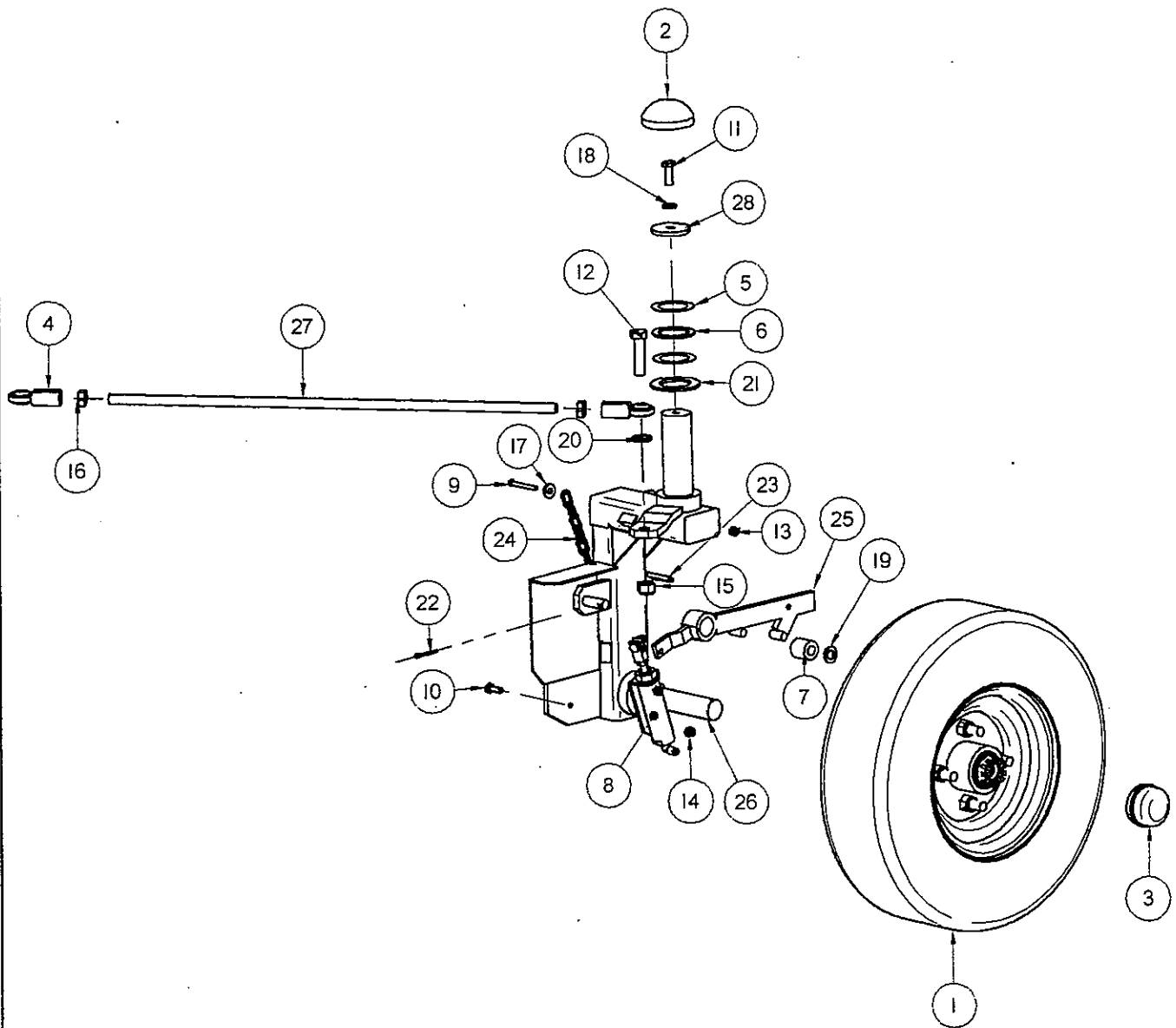
FNG814300-02

RIGHT SPINDLE ASSEMBLY

| Item Number | File Name | Quantity | Description |
|-------------|---------------|----------|------------------------------|
| 1 | 02042WHL.asm | 1 | RIGHT WHEEL |
| 2 | 02520WHL.par | 1 | DUST CAP |
| 3 | 0252WHL.par | 1 | SPINDLE CAP |
| 4* | 04015BRG.par | 2 | 1/2" ROD END BEARING |
| 5 | 040500BRG.par | 2 | 1 1/2" THRUST BEARING WASHER |
| 6 | 040501BRG.par | 1 | 1 1/2" THRUST BEARING |
| 7 | 2538BLT.par | 1 | 3/8" X 1" BOLT |
| 8 | 2563BLT.par | 1 | 1/2" X 2" BOLT |
| 9 | 2734NUT.par | 1 | 1/2" LOCKNUT |
| 10 | 27696NUT.par | 2 | 1/2" JAM NUT |
| 11 | 2821WAS.par | 1 | 3/8" LOCK WASHER |
| 12 | 2831WAS.par | 1 | 7/8"OD X 1/2"ID WASHER 10GA. |
| 13 | 2867WAS.par | 1 | 2 1/2"OD X 1 5/8"ID WASHER |
| 14 | SRS16134.par | 1 | RIGHT SPINDLE ASSEMBLY |
| 15 | SRS16171.par | 1 | TIE ROD |
| 16 | SRS16281.par | 1 | SPINDLE CAP WASHER |

FNG814300-02

LEFT SPINDLE ASSEMBLY



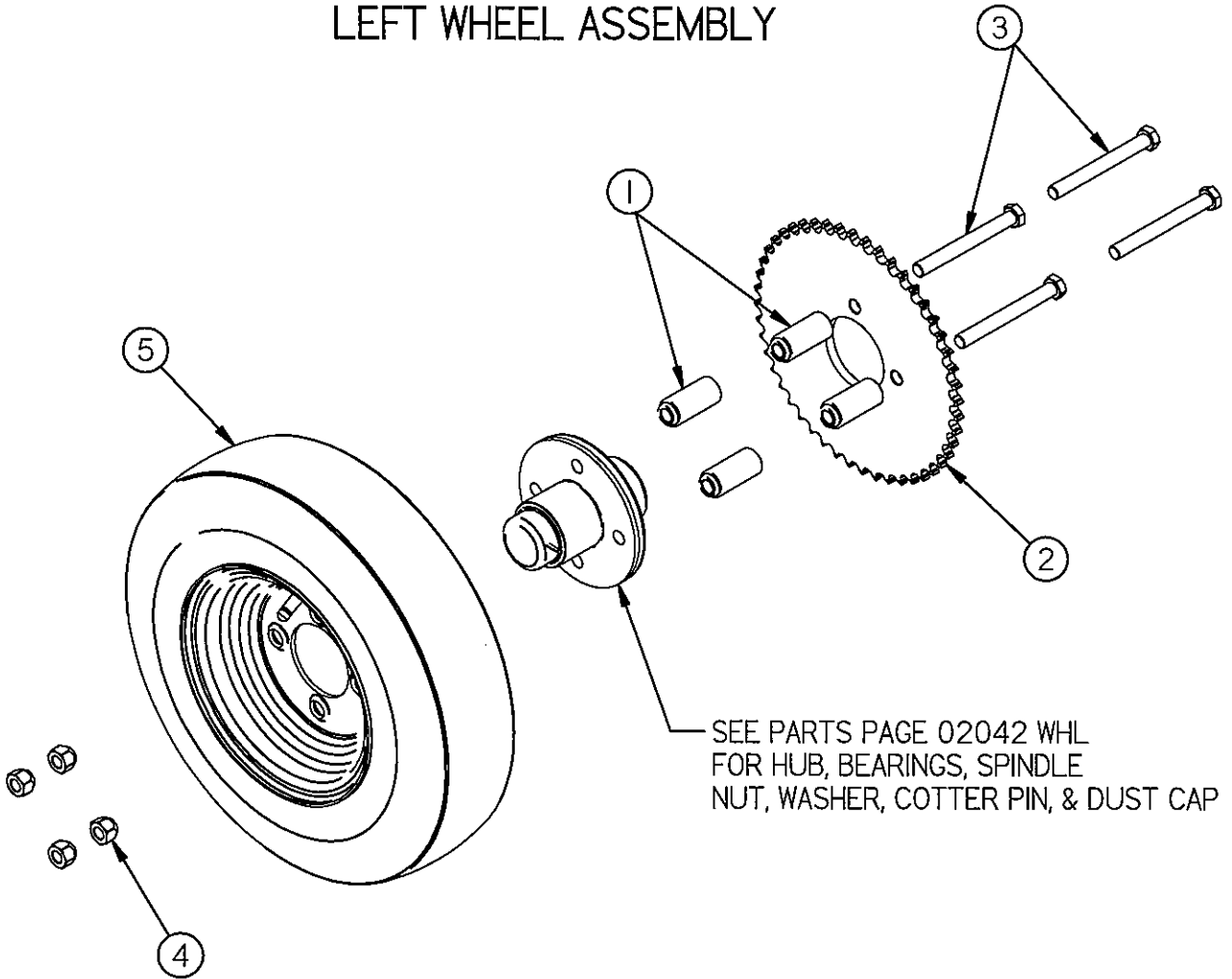
FNG814300-03

LEFT SPINDLE ASSEMBLY

| Item Number | File Name | Quantity | Description |
|-------------|---------------|----------|--------------------------------|
| 1 | 02042WHL.asm | 1 | LEFT WHEEL |
| 2 | 02520WHL.par | 1 | DUST CAP |
| 3 | 0252WHL.par | 1 | SPINDLE CAP |
| 4 | 04015BRG.par | 2 | 1/2" ROD END BEARING |
| 5 | 040500BRG.par | 2 | 1 1/2" THRUST BEARING WASHER |
| 6 | 040501BRG.par | 1 | 1 1/2" THRUST BEARING |
| 7 | 0406BRG.par | 1 | BRONZE BEARING |
| 8 | 05040CYL.asm | 1 | BRAKE CYLINDER ASSEMBLY |
| 9 | 2484BLT.par | 1 | 3/16" X 1 3/4" BOLT |
| 10 | 2501BLT.par | 1 | 1/4" X 3/4" BOLT |
| 11 | 2538BLT.par | 1 | 3/8" X 1" BOLT |
| 12 | 2563BLT.par | 1 | 1/2" X 2" BOLT |
| 13 | 2713NUT.par | 1 | 3/16" NYLON LOCK NUT |
| 14 | 2716NUT.par | 1 | 1/4" NYLON LOCK NUT |
| 15 | 2734NUT.par | 1 | 1/2" LOCKNUT |
| 16 | 27696NUT.par | 2 | 1/2" JAM NUT |
| 17 | 2801WAS.par | 1 | 1/4" FLAT WASHER |
| 18 | 2821WAS.par | 1 | 3/8" LOCK WASHER |
| 19 | 28310WAS.par | 1 | 7/8" OD X 1/2" ID WASHER 14GA. |
| 20 | 2831WAS.par | 1 | 7/8"OD X 1/2"ID WASHER 10GA. |
| 21 | 2867WAS.par | 1 | 2 1/2"OD X 1 5/8"ID WASHER |
| 22 | 30221PIN.par | 1 | 1/8" X 1 1/4" COTTER PIN |
| 23 | 3024PIN.par | 1 | 1" LOCK PIN |
| 24 | 9504MIS.asm | 1 | #4 STRAIGHT LINK CHAIN |
| 25 | SRSI6132.PAR | 1 | BRAKE ASSEMBLY |
| 26 | SRSI6133.par | 1 | LEFT SPINDLE ASSEMBLY |
| 27 | SRSI6171.par | 1 | TIE ROD |
| 28 | SRSI6281.par | 1 | SPINDLE CAP WASHER |

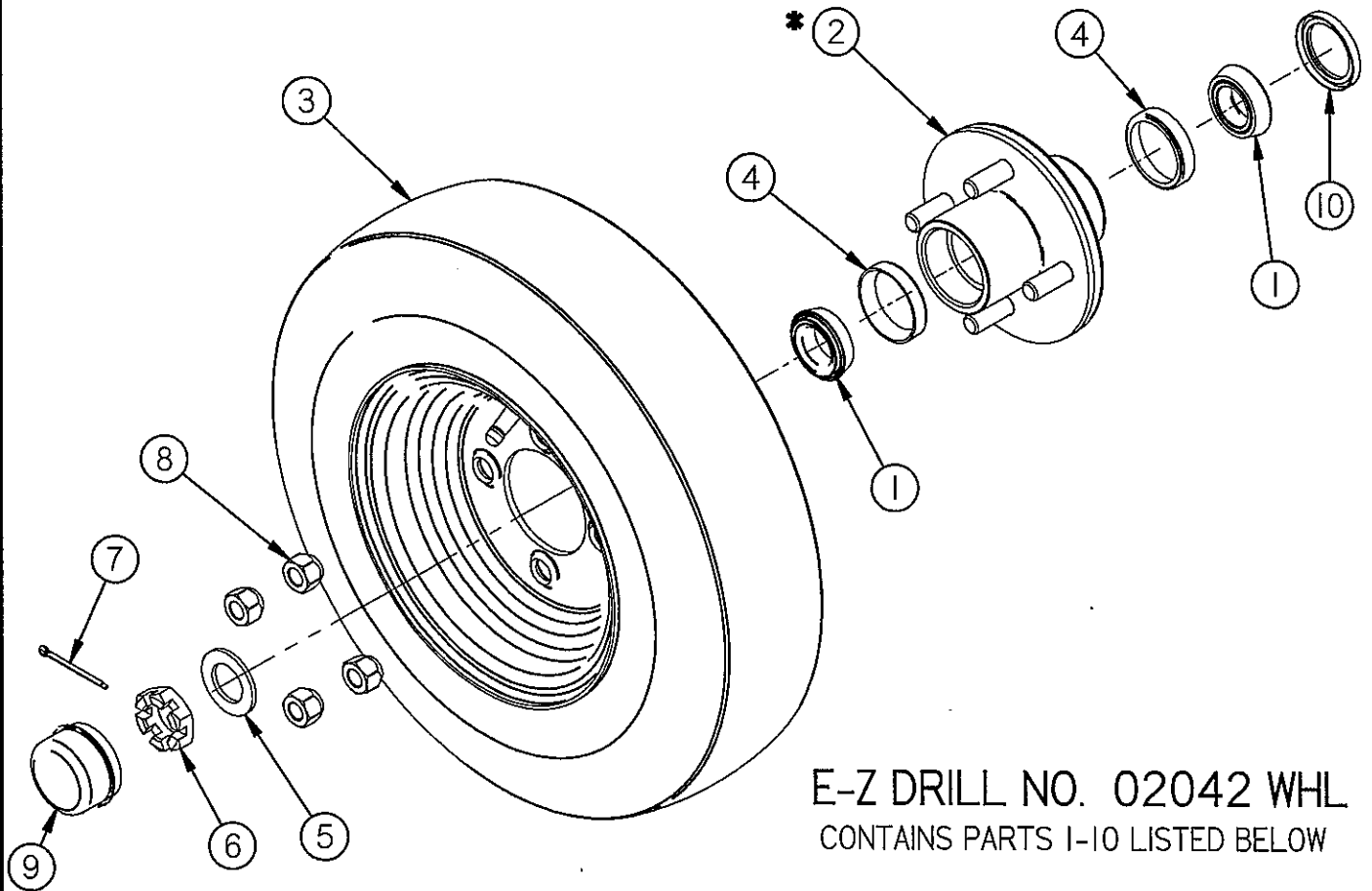
FNG814300-03

LEFT WHEEL ASSEMBLY



| Item No. | Part No. | Quantity | Description |
|----------|-----------|----------|------------------------------------|
| 1 | SFP0714 | 4 | WHEEL SPACER |
| 2 | SRS16501 | 1 | 4-HOLE DRIVE SPROCKET |
| 3 | 2574 BLT | 4 | 1/2" UNF X 4.50" HX HD BOLT |
| 4 | 2733 NUT | 4 | 1/2 NF LUG NUT (RT. HAND THD.) |
| 5 | 02044 WHL | 1 | TIRE & RIM (4.80-8 LR. B 4-HOLE) |

02042 WHL TIRE, RIM, & HUB ASSEMBLY (4.80 - 8)

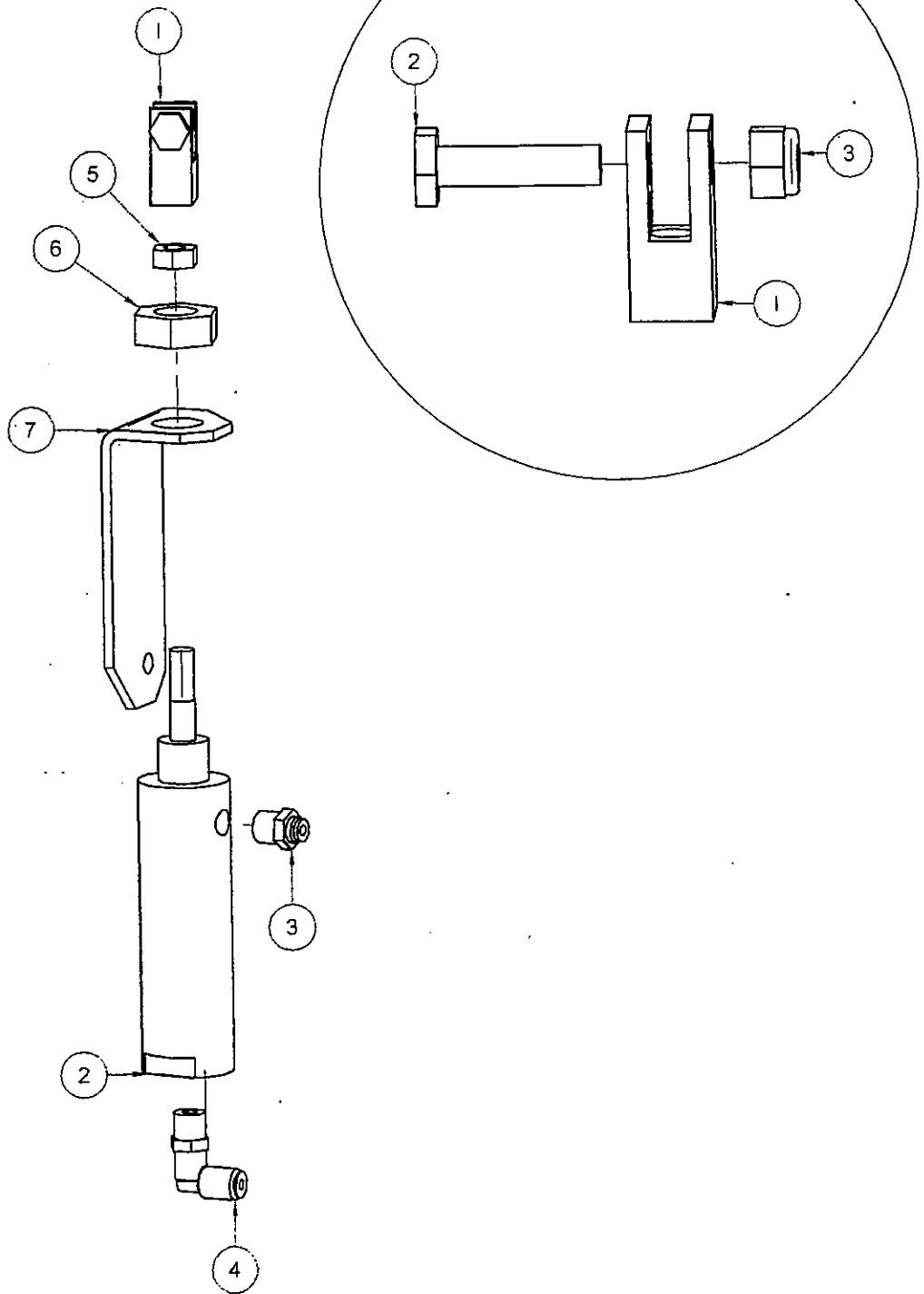


E-Z DRILL NO. 02042 WHL
CONTAINS PARTS 1-10 LISTED BELOW

| Item No. | Part No. | Quantity | Description |
|----------|------------|----------|------------------------------------|
| 1 | 021160WHL | 2 | BEARING CONE, L44649 |
| 2 | N / A | 1 | 4-BOLT HUB, BRG. CUPS, & STUDS * |
| 3 | 02044 WHL | 1 | TIRE & RIM (4.80-8 LR. B 4-HOLE) |
| 4 | 04043BRG | 2 | BEARING CUP, L44610 |
| 5 | 021162WHL | 1 | SPINDLE WASHER |
| 6 | 021163WHL | 1 | SPINDLE NUT (1"-14UNS) |
| 7 | 30220 PIN | 1 | 1/8" X 2" COTTER PIN |
| 8 | 2733 NUT | 1 | 1/2 NF LUG NUT (RT. HAND THD.) |
| 9 | 0252WHL | 1 | SPINDLE CAP |
| 10 | 021161 WHL | 1 | BEARING SEAL (1.50 X .187") |

* ITEM REF. NO. 2 (HUB) NOT AVAILABLE SEPARATELY; ORDER PART NO. 02042 WHL

BRAKE CYLINDER ASSEMBLY



FNG814300-05

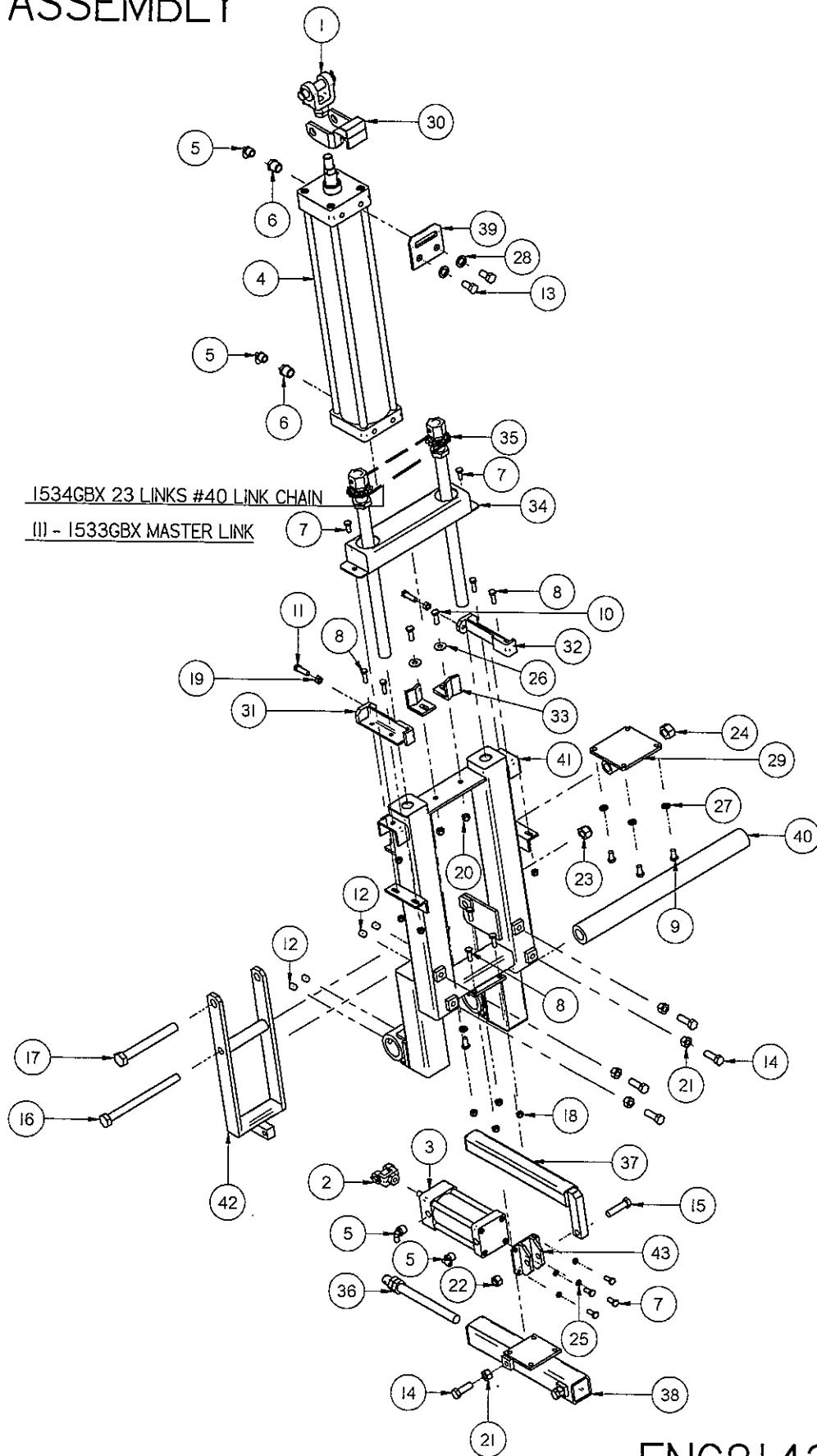
BRAKE CYLINDER ASSEMBLY

| Item Number | File Name | Quantity | Description |
|-------------|---------------|----------|----------------------------|
| 1 | 05000CYL.asm | 1 | BRAKE CYLINDER CLEVIS |
| 2 | 05040CYL.par | 1 | BRAKE CYLINDER |
| 3 | 20750FIT.par | 1 | 1/8" X 1/8" MALE FITTING |
| 4 | 20751FIT.par | 1 | 1/8" X 1/8" 90 DEG. SWIVEL |
| 5 | 276912NUT.par | 1 | 5/16" JAM NUT |
| 6 | 27698NUT.par | 1 | 5/8" JAM NUT |
| 7 | SRS1677.par | 1 | BRAKE CYLINDER MOUNT |

| Item Number | File Name | Quantity | Description |
|-------------|--------------|----------|---------------------|
| 1 | 05000CYL.par | 1 | CLEVIS |
| 2 | 2503BLT.par | 1 | 1/4" X 1" BOLT |
| 3 | 2716NUT.par | 1 | 1/4" NYLON LOCK NUT |

FNG814300-05

MAST ASSEMBLY



FNG814300-06

MAST ASSEMBLY

| Item Number | File Name | Quantity | Description |
|-------------|----------------|----------|-------------------------------------|
| 1 | 0500cyl.asm | 1 | CLEVIS FOR 1" ROD |
| 2 | 0501cyl.asm | 1 | CLEVIS WITH PIN FOR 5/8" ROD |
| 3 | 050511cyl.asm | 1 | 2 1/2" X 4" AUTO ALIGN CYLINDER |
| 4 | 052080CYL.asm | 1 | 4" X 20" CYLINDER |
| 5 | 2052fit.par | 4 | 1/4" TO 3/8" 90 DEG. FITTING |
| 6 | 2130pft.par | 2 | 1/2" TO 3/8" PIPE REDUCER |
| 7 | 2519bolt.par | 6 | 5/16" X 3/4" BOLT |
| 8 | 2520bolt.par | 8 | 5/16" X 1" BOLT |
| 9 | 2537bolt.par | 4 | 3/8" X 3/4" BOLT |
| 10 | 2538bolt.par | 2 | 3/8" X 1" BOLT |
| 11 | 2540bolt.par | 2 | 3/8" X 1 1/4" BOLT |
| 12 | 25590bolt.par | 4 | 1/2" X 1/2" 13 SET SCREW |
| 13 | 2559bolt.par | 2 | 1/2" X 1" BOLT |
| 14 | 2562bolt.par | 6 | 1/2" X 1 1/2" BOLT |
| 15 | 2563bolt.par | 1 | 1/2" X 2" BOLT |
| 16 | 2590bolt.par | 1 | 5/8" X 8" BOLT |
| 17 | 259970bolt.par | 1 | 3/4" X 6" BOLT |
| 18 | 2719nut.par | 10 | 5/16" NYLON LOCK NUT |
| 19 | 2725nut.par | 2 | 3/8" STANDARD NUT |
| 20 | 2727nut.par | 2 | 3/8" LOCKNUT |
| 21 | 2732nut.par | 6 | 1/2" STANDARD NUT |
| 22 | 2734nut.par | 1 | 1/2" LOCKNUT |
| 23 | 2743nut.par | 1 | 5/8" NYLON LOCK NUT |
| 24 | 27489nut.par | 1 | 3/4" SIDE LOCK NUT |
| 25 | 2810was.par | 4 | 5/16" LOCK WASHER |
| 26 | 2820was.par | 2 | 3/8" FLAT WASHER |
| 27 | 2821was.par | 4 | 3/8" LOCK WASHER |
| 28 | 2832was.par | 2 | 1/2" LOCK WASHER |
| 29 | srg11200.par | 1 | REAR RAISE AND LOWER CYLINDER MOUNT |
| 30 | srg1123.par | 1 | SAFETY LATCH |
| 31 | srs16180.par | 1 | MAST ADJUSTER LEFT |
| 32 | srs16181.par | 1 | MAST ADJUSTER RIGHT |
| 33 | srs16240.par | 2 | CHAIN TIGHTENER |
| 34 | srs16250.par | 1 | MAST CHAIN COVER |
| 35 | srs1630.asm | 2 | SCEW JACK |
| 36 | srs16310.asm | 1 | AUTO ALIGNMENT ADJUST |
| 37 | srs16380.par | 1 | AUTO ADJUST INSIDE SLIDE |
| 38 | srs16381.par | 1 | AUTO ADJUST OUTSIDE SLIDE |
| 39 | srs16472.par | 1 | CYLINDER SUPPORT BRACKET |
| 40 | srul3190.par | 1 | UPPER TOOL BAR |
| 41 | srul348.par | 1 | MAST |
| 42 | srul349.par | 1 | ANGLE ADJUSTING PIVOT |
| 43 | srul351.par | 1 | AUTO ALIGN CYLINDER MOUNT |

FNG814300-06

MAST ASSEMBLY

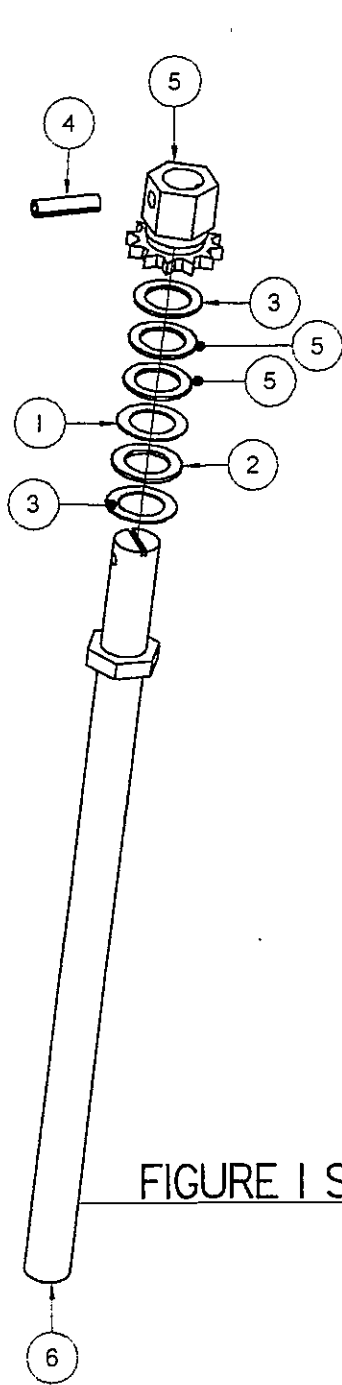


FIGURE 1 SRSI630

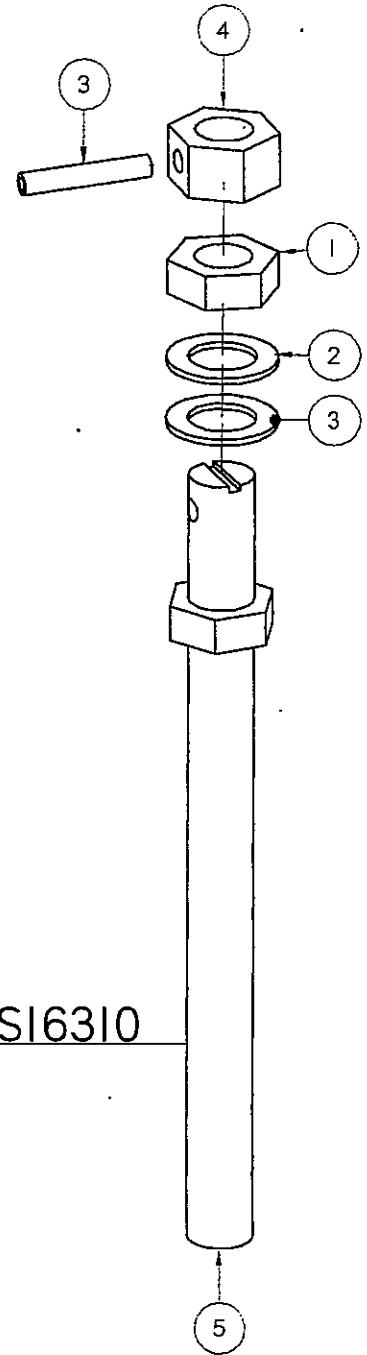


FIGURE 2 SRSI6310

FNG814300-06

MAST ASSEMBLY

FIGURE 1 SRSI630

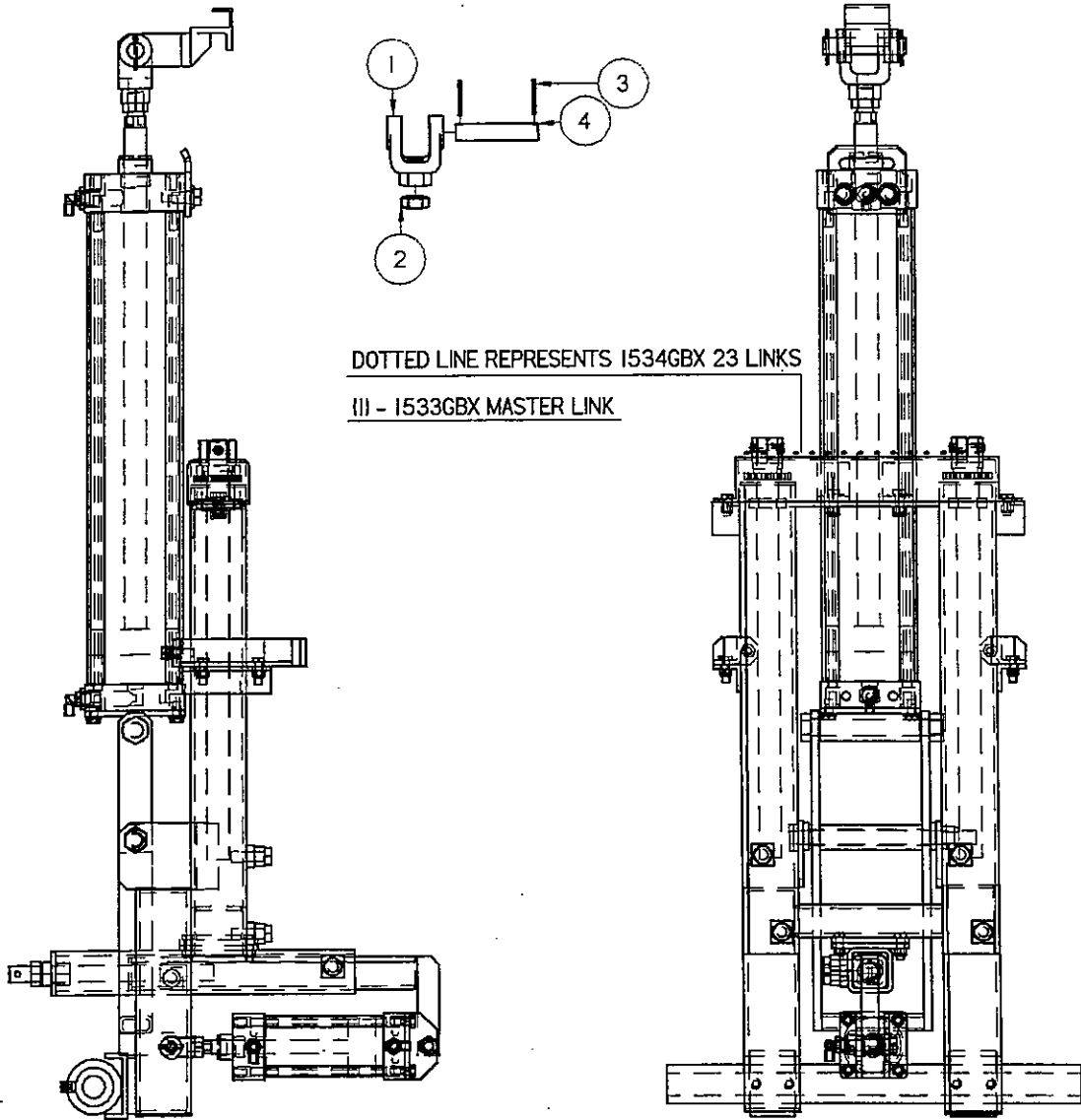
| Item Number | File Name | Quantity | Description |
|-------------|--------------|----------|-------------------------------|
| 1 | 04080BRG.par | 2 | THRUST BEARING WASHER |
| 2 | 0408BRG.par | 1 | THRUST BEARING |
| 3 | 2860WAS.par | 3 | 1 1/2" OD X 1" ID 5GA. WASHER |
| 4 | 3006PIN.par | 1 | 3/8" X 1 1/2" ROLL PIN |
| 5 | SRSI630_.par | 1 | SCREW JACK TOP |
| 6 | SRSI630.par | 1 | SCREW JACK |

FIGURE 2 SRSI6310

| Item Number | File Name | Quantity | Description |
|-------------|---------------|----------|--------------------------|
| 1 | 2756NUT.par | 1 | 3/4" JAM NUT |
| 2 | 28510WAS.par | 2 | 3/4" THIN MACHINE WASHER |
| 3 | 30102PIN.par | 1 | 1/4" X 1 1/2" ROLL PIN |
| 4 | SRSI6310_.par | 1 | 3/4" STANDARD NUT |
| 5 | SRSI6310.par | 1 | AUTO AILGNMENT ADJUST |

FNG814300-06

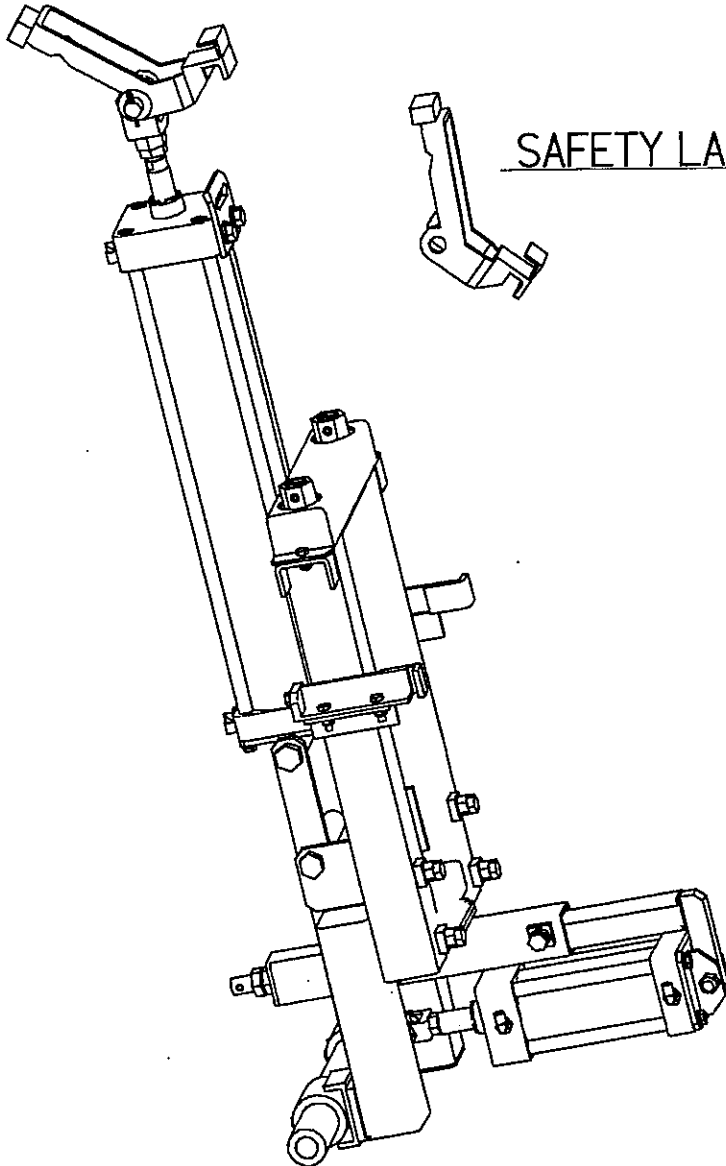
MAST ASSEMBLY



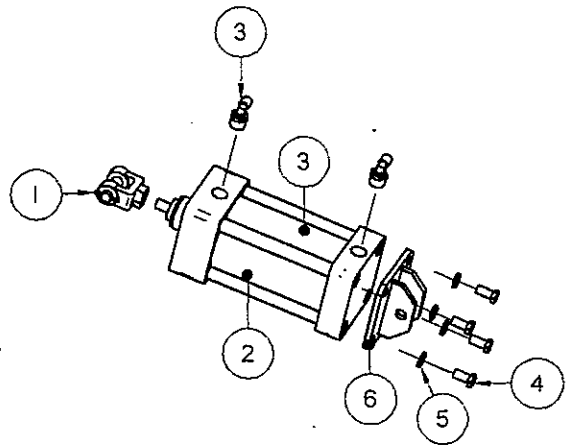
| Item Number | File Name | Quantity | Description |
|-------------|---------------|----------|--------------------------|
| 1 | 0500CYL01.par | 1 | CLEVIS FOR 1" ROD |
| 2 | 27699NUT.par | 1 | 3/4" JAM NUT |
| 3 | 3022IPIN.par | 2 | 1/8" X 1 1/4" COTTER PIN |
| 4 | SRS1663.par | 1 | SAFETY LATCH PIN |

FNG814300-06

MAST ASSEMBLY 24" DRILL DEPTH



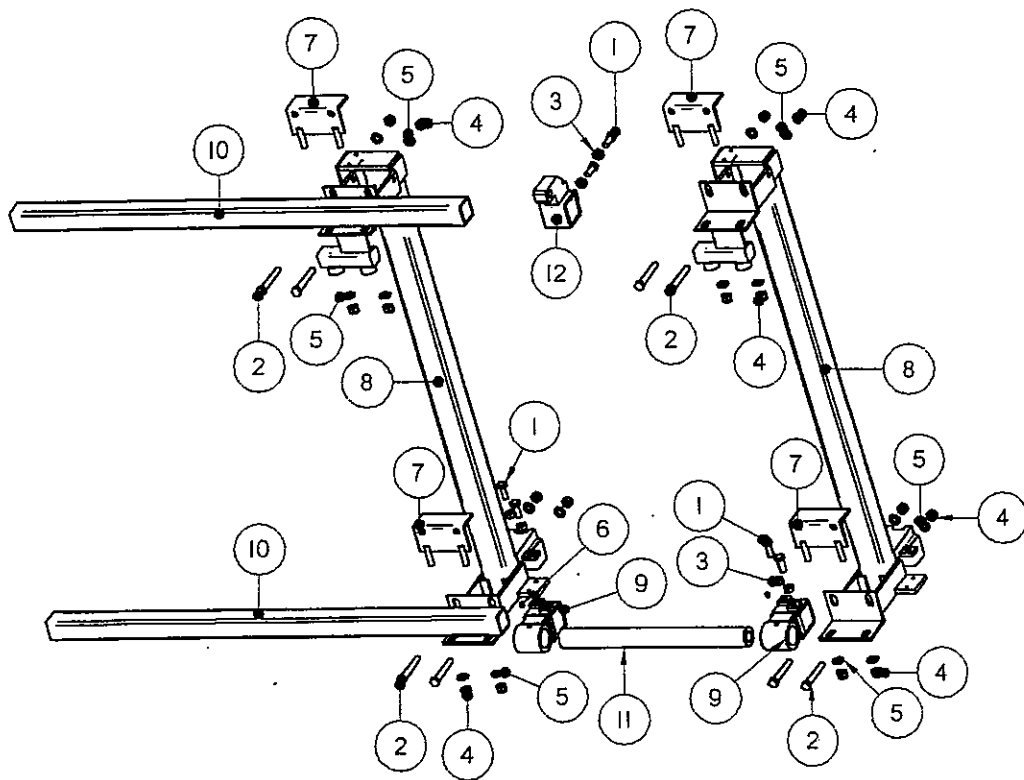
SAFETY LATCH PART # SRG11230



| Item Number | File Name | Quantity | Description |
|-------------|---------------|----------|-----------------------------------|
| 1 | 0501CYL.asm | 1 | CLEVIS FOR 5/8" ROD |
| 2 | 052120CYL.asm | 1 | 3 1/4" X 4" CYLINDER |
| 3 | 2052FIT.par | 2 | 1/4" TO 3/8" 90 DEG. FITTING |
| 4 | 25162BLT.par | 4 | 3/8" X 3/4" FINE THREAD BOLT |
| 5 | 2821WAS.par | 4 | 3/8" LOCK WASHER |
| 6 | SRS1664.par | 1 | AUTO ALIGN CYL. BRACKET MULTIGANG |

FNG81434

TOOL BAR ASSEMBLY



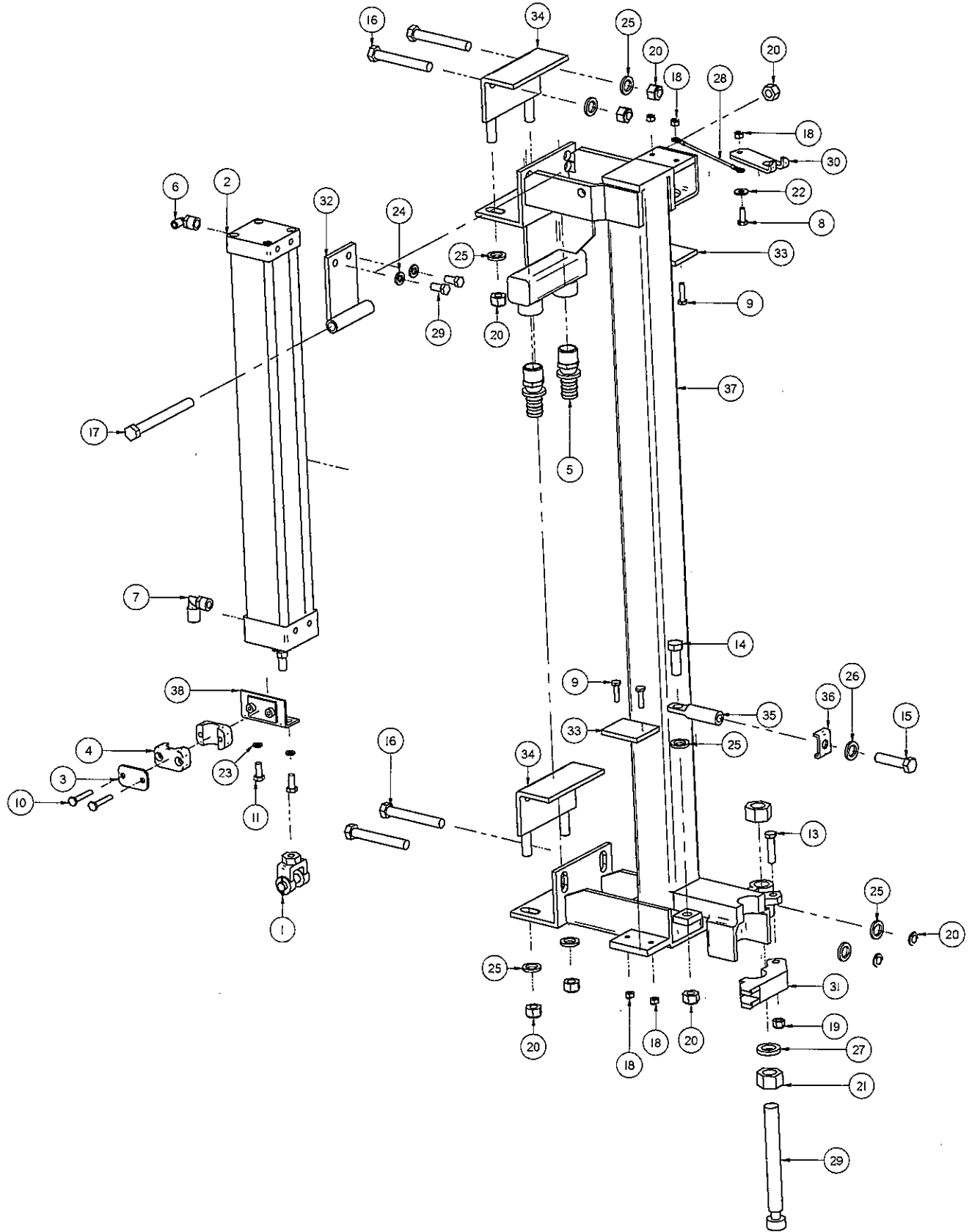
FNG814300-07

TOOL BAR ASSEMBLY

| Item Number | File Name | Quantity | Description |
|-------------|--------------|----------|----------------------------------|
| 1 | 2560BLT.par | 6 | 1/2" X 1 1/4" BOLT |
| 2 | 2568BLT.par | 8 | 1/2" X 3 1/2" BOLT |
| 3 | 2732NUT.par | 6 | 1/2" STANDARD NUT |
| 4 | 2734NUT.par | 16 | 1/2" LOCKNUT |
| 5 | 283IWAS.par | 16 | 7/8"OD X 1/2"ID WASHER 10GA. |
| 6 | 950IMIS.par | 2 | GREASE ZERT |
| 7* | MFA06420.par | 4 | 2" FEED BAR CLAMP |
| 8* | SRS16334.par | 2 | FEED BAR |
| 9* | SRS16351.par | 2 | HINGE |
| 10* | SRUI318.par | 2 | OUTSIDE TOOL BAR |
| 11 | SRUI3190.par | 1 | UPPER TOOL BAR |
| 12* | Srui350Par | 1 | TOOL BAR TO CYLINDER MOUNT HINGE |

FNG814300-07

FEED BAR ASSEMBLY



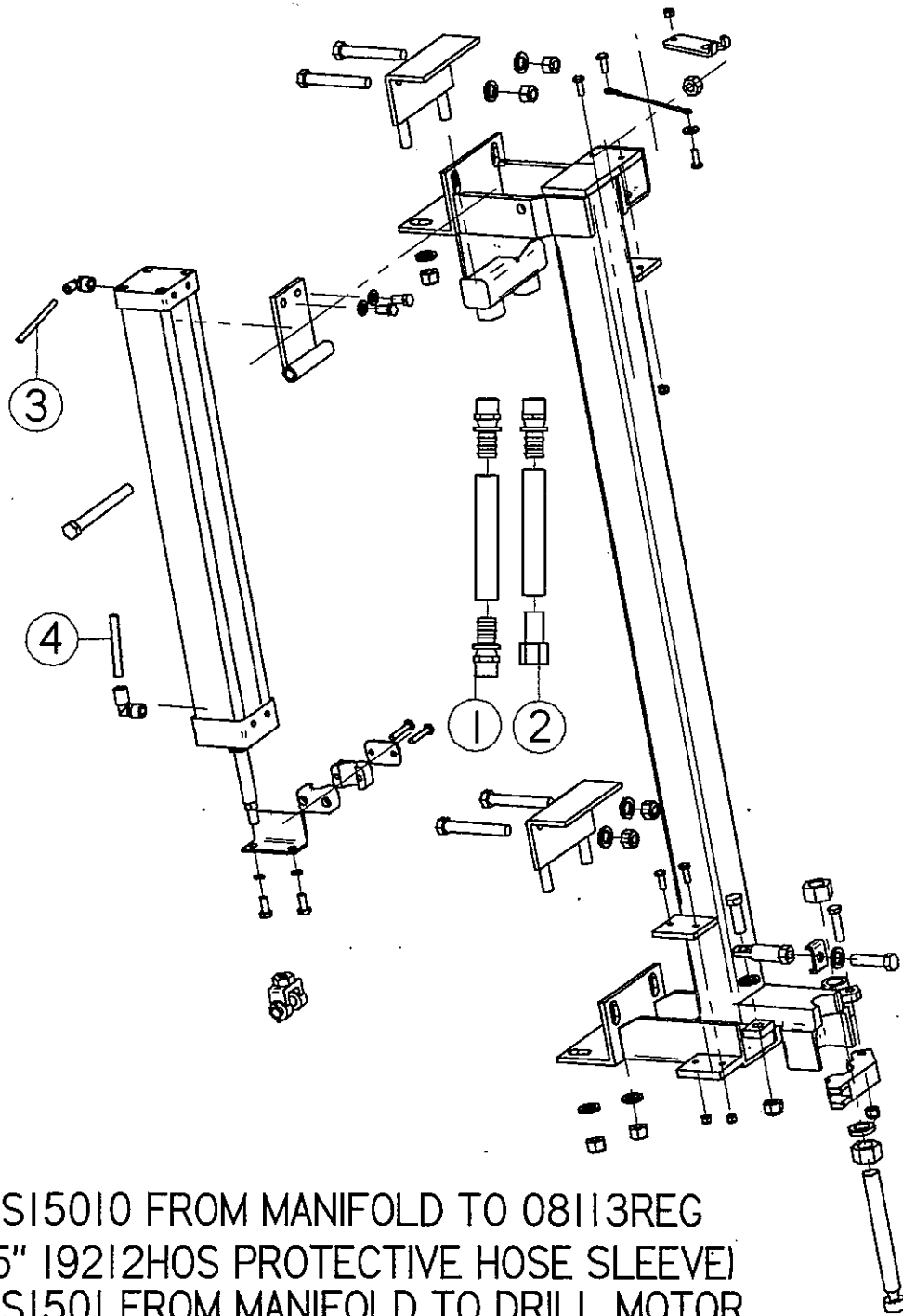
FNG814300-08

FEED BAR ASSEMBLY

| Item Number | File Name | Quantity | Description |
|-------------|---------------|----------|---------------------------------|
| 1 | 0501cylasm | 1 | CLEVIS WITH PIN FOR 5/8" ROD |
| 2 | 0514CYLasm | 1 | 2.5" X 20" FEED CYLINDER |
| 3 | I92309hos.par | 1 | 1" VIBRATION DAMPING HOSE CLAMP |
| 4 | I92309hos.par | 2 | 1" VIBRATION DAMPING HOSE CLAMP |
| 5 | I999fit.par | 2 | 3/4" X 3/4" HOSE SWIVEL |
| 6 | 2052fit.par | 1 | 1/4" TO 3/8" 90 DEG. FITTING |
| 7 | 2054fit.par | 1 | 3/8" X 3/8" 90 DEG. FITTING |
| 8 | 2501blt.par | 1 | 1/4" X 3/4" BOLT |
| 9 | 2503blt.par | 4 | 1/4" X 1" BOLT |
| 10 | 2506blt.par | 2 | 1/4" X 1 1/2" BOLT |
| 11 | 2516blt.par | 2 | 5/16" X 3/4" FINE THREAD BOLT |
| 12 | 2537blt.par | 2 | 3/8" X 3/4" BOLT |
| 13 | 2541blt.par | 1 | 3/8" X 1 1/2" BOLT |
| 14 | 2562blt.par | 1 | 1/2" X 1 1/2" BOLT |
| 15 | 2563blt.par | 1 | 1/2" X 2" BOLT |
| 16 | 2568blt.par | 4 | 1/2" X 3 1/2" BOLT |
| 17 | 2575blt.par | 1 | 1/2" X 5" BOLT |
| 18 | 2716nut.par | 5 | 1/4" NYLON LOCK NUT |
| 19 | 2727nut.par | 1 | 3/8" LOCKNUT |
| 20 | 2734nut.par | 10 | 1/2" LOCKNUT |
| 21 | 27490nut.par | 2 | 3/4" COIL ROD NUT |
| 22 | 2801was.par | 1 | 1/4" FLAT WASHER |
| 23 | 2810was.par | 2 | 5/16" LOCK WASHER |
| 24 | 2821was.par | 2 | 3/8" LOCK WASHER |
| 25 | 2831was.par | 9 | 7/8"OD X 1/2"ID WASHER 10GA |
| 26 | 2832was.par | 1 | 1/2" LOCK WASHER |
| 27 | 2852was.par | 1 | 3/4" LOCK WASHER |
| 28 | 3030pin.par | 1 | 6" LANYARD WITH LOOPS |
| 29 | cra02041.par | 1 | 6" STOP ROD |
| 30 | cra0218.par | 1 | CARRIAGE LOCK |
| 31 | mfa0609.par | 1 | BIT GUIDE |
| 32 | mfa0625.par | 1 | FEED CYLINDER MOUNT BRACKET |
| 33 | mfa0626.par | 2 | STOP PAD |
| 34 | mfa06420.par | 2 | 2" FEED BAR CLAMP |
| 35 | mfa0674.par | 1 | SWIVEL BOLT |
| 36 | mfa0690.par | 1 | BIT GUIDE KEEPER |
| 37 | srs16334.par | 1 | FEED BAR FOR 210B-2SRA |
| 38 | srs1680.par | 1 | 1" HOSE MOUNT BRACKET |

FNG814300-08

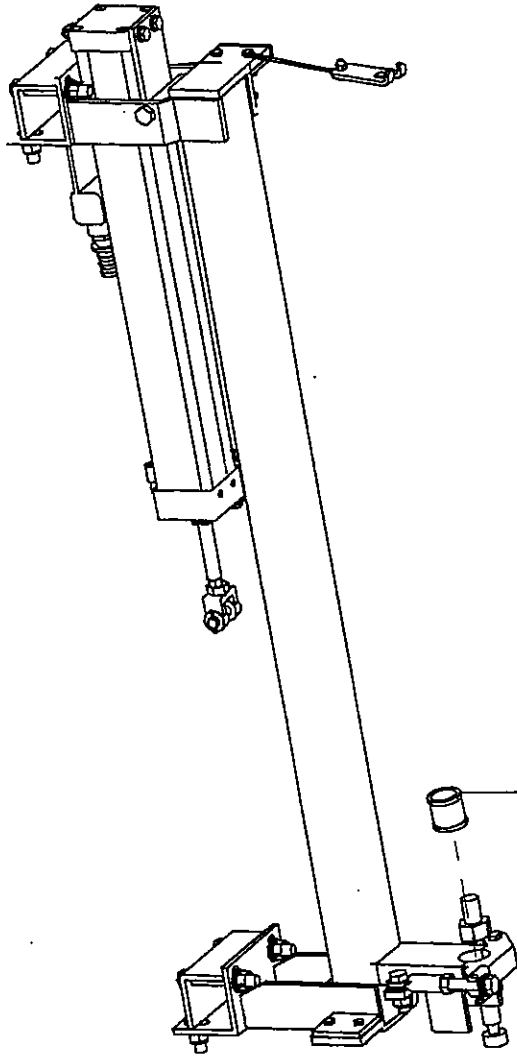
FEED BAR ASSEMBLY



1. HOS15010 FROM MANIFOLD TO 08113REG
(85" 19212HOS PROTECTIVE HOSE SLEEVE)
2. HOS1501 FROM MANIFOLD TO DRILL MOTOR
3. 14' OF 1903HOS 1/4" BLACK TUBING FROM FEED CYLINDER
IN TO 08101REG
4. 14' OF 1905HOS 3/8" BLACK TUBING FROM FEED CYLINDER
OUT TO 060102VAL

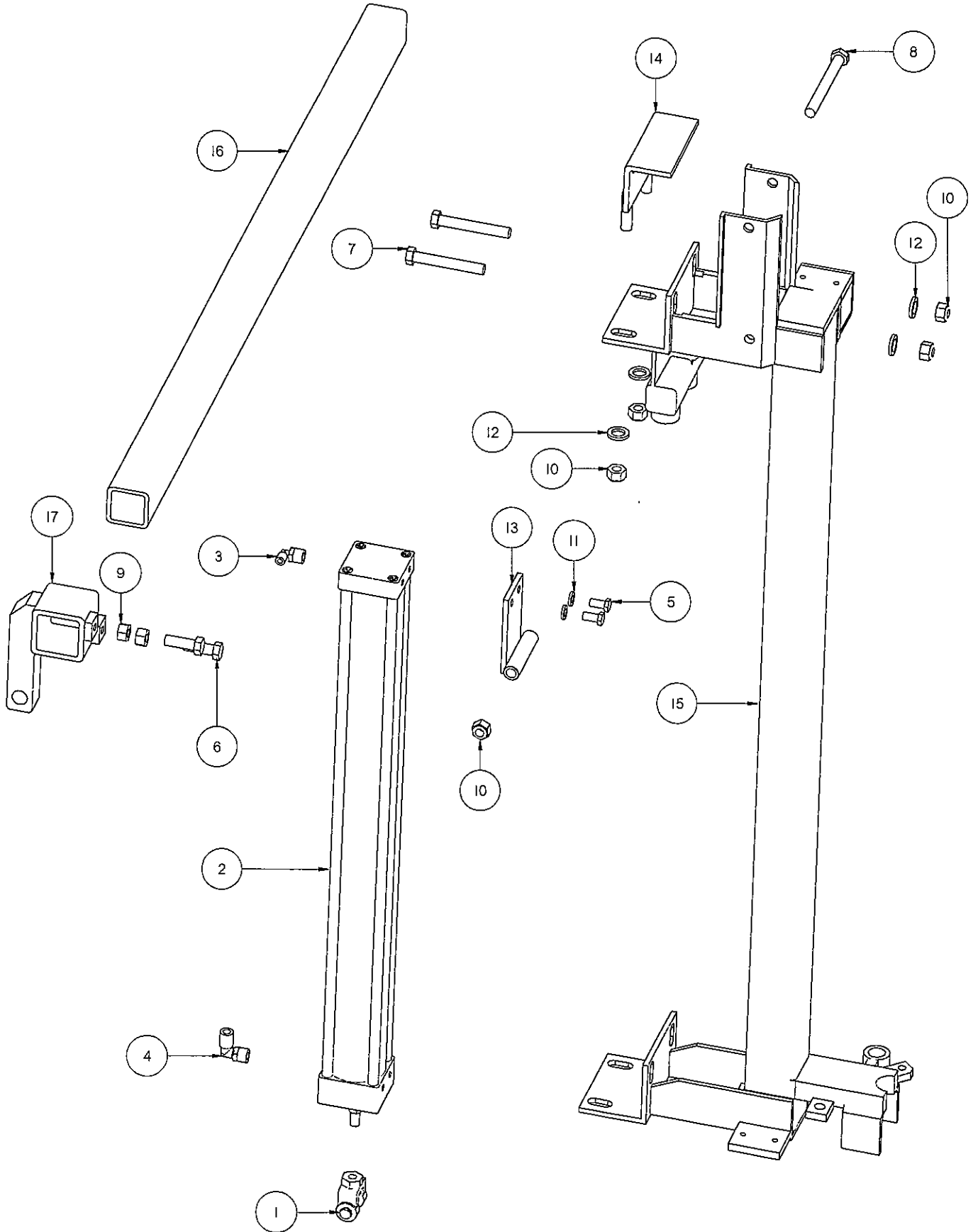
FNG814300-08

FEED BAR ASSEMBLY



FNG814300-08

FEED BAR ASSEMBLY FOR 24" DRILL DEPTH



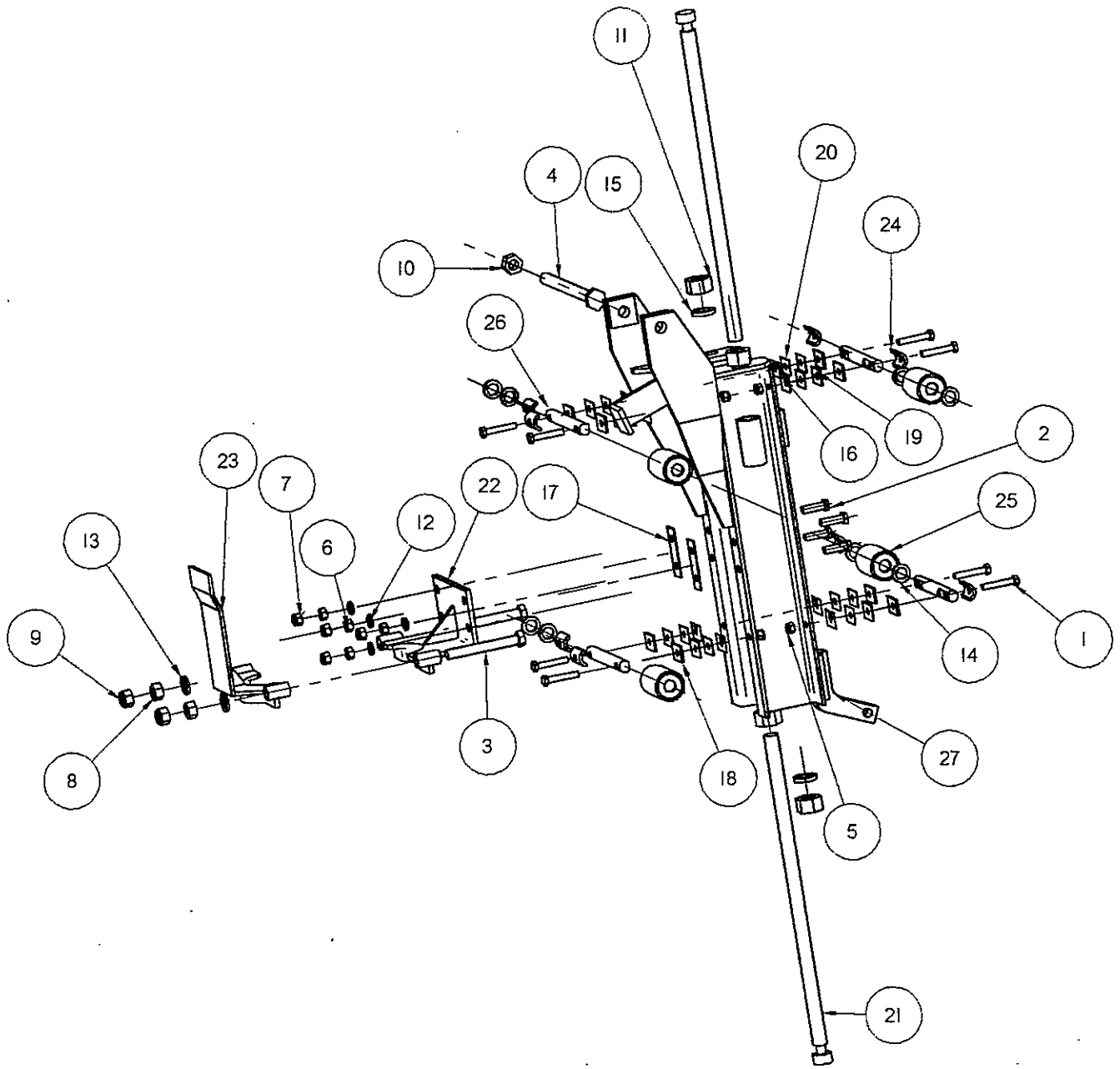
FNG81434

FEED BAR ASSEMBLY FOR 24" DRILL DEPTH

| Item Number | File Name | Quantity | Description |
|-------------|--------------|----------|--------------------------------------|
| 1 | 0501CYL.asm | 1 | CYLINDER CLEVIS |
| 2 | 05161CYL.asm | 1 | FEED CYLINDER FOR 24" DRILL DEPTH |
| 3 | 2052FIT.par | 1 | 1/4" TO 3/8" 90 DEG. FITTING |
| 4 | 2054FIT.par | 1 | 3/8" X 3/8" 90 DEG. FITTING |
| 5 | 2537BLT.par | 2 | 3/8" X 3/4" BOLT |
| 6 | 2562BLT.par | 2 | 1/2" X 1 1/2" BOLT |
| 7 | 2568BLT.par | 2 | 1/2" X 3 1/2" BOLT |
| 8 | 2575BLT.par | 1 | 1/2" X 5" BOLT |
| 9 | 2732NUT.par | 2 | 1/2" STANDARD NUT |
| 10 | 2734nut.par | 5 | 1/2" LOCKNUT |
| 11 | 2821WAS.par | 2 | 3/8" LOCK WASHER |
| 12 | 2831WAS.par | 4 | 7/8"OD X 1/2"ID WASHER 10GA. |
| 13 | MFA0625.par | 1 | FEED CYLINDER MOUNT BRACKET |
| 14 | MFA06420.par | 1 | 2" FEED BAR CLAMP |
| 15 | SRSI6336.par | 1 | FEED BAR 24" DRILL DEPTH |
| 16 | SRUI318.par | 1 | OUTSIDE TOOL BAR |
| 17 | SRUI3500.par | 1 | TOOL BAR TO CYLINDER MOUNT HINGE 24" |

FNG81434

CARRIAGE ASSEMBLY



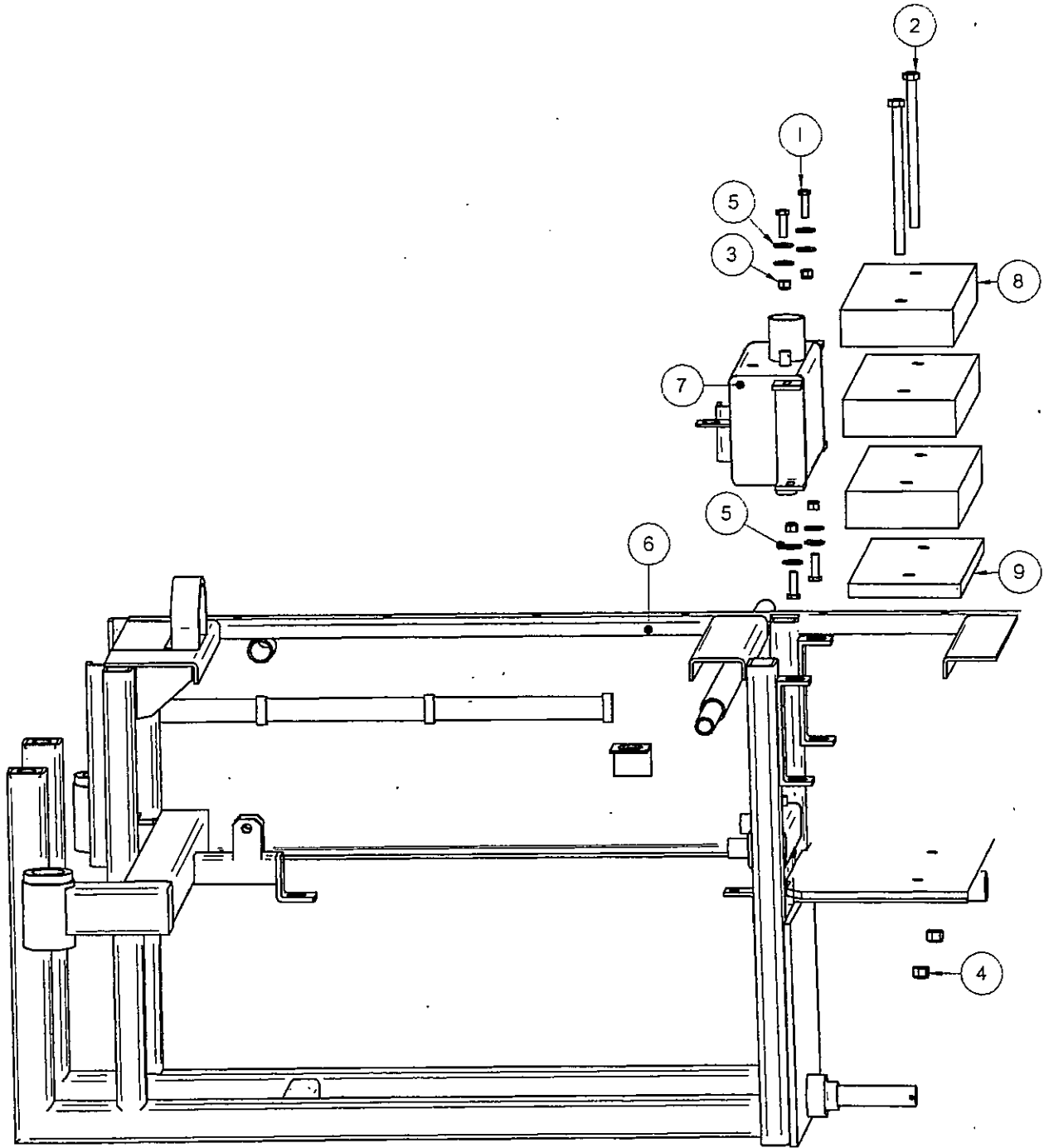
FNG814300-09

CARRIAGE ASSEMBLY

| Item Number | File Name | Quantity | Description |
|-------------|--------------|----------|----------------------|
| 1 | 2528BLT.par | 8 | 5/16" X 1 3/4" BOLT |
| 2 | 2540BLT.par | 4 | 3/8" X 1 1/4" BOLT |
| 3 | 2570BLT.par | 2 | 1/2" X 4" BOLT |
| 4 | 2590BLT.par | 1 | 5/8" X 8" BOLT |
| 5 | 2719NUT.par | 8 | 5/16" LOCKNUT |
| 6 | 2725NUT.par | 4 | 3/8" STANDARD NUT |
| 7 | 2727NUT.par | 4 | 3/8" LOCKNUT |
| 8 | 2732NUT.par | 2 | 1/2" STANDARD NUT |
| 9 | 2734NUT.par | 2 | 1/2" LOCKNUT |
| 10 | 2742NUT.par | 1 | 5/8" LOCKNUT |
| 11 | 27490NUT.par | 4 | 3/4" COIL ROD NUT |
| 12 | 2821WAS.par | 4 | 3/8" LOCK WASHER |
| 13 | 2832WAS.par | 2 | 1/2" WASHER |
| 14 | 2841WAS.par | 8 | 5/16" WASHER |
| 15 | 2852WAS.par | 2 | 3/4" LOCK WASHER |
| 16 | 7009TAB.par | 8 | STAINLESS STEEL SHIM |
| 17 | 7010TAB.par | 2 | 16 GA. TWO HOLE SHIM |
| 18 | 7011TAB.par | 8 | 12 GA. SHIM |
| 19 | 7012TAB.par | 8 | 18 GA. SHIM |
| 20 | 7013TAB.par | 8 | 22 GA. SHIM |
| 21 | Cra02030.Par | 2 | 18" STOP ROD |
| 22 | CRA0214.par | 1 | UPPER DRILL BRACKET |
| 23 | CRA0216.par | 1 | LOWER DRILL BRACKET |
| 24 | CRA0230.par | 8 | BEARING KEEPER |
| 25 | CRA0233.par | 4 | ROLLER BEARING DRUM |
| 26 | CRA0234.par | 4 | ROLLER BEARING AXLE |
| 27 | CRG01041.par | 1 | CARRIAGE |

FNG814300-09

COUNTER WEIGHT ASSEMBLY



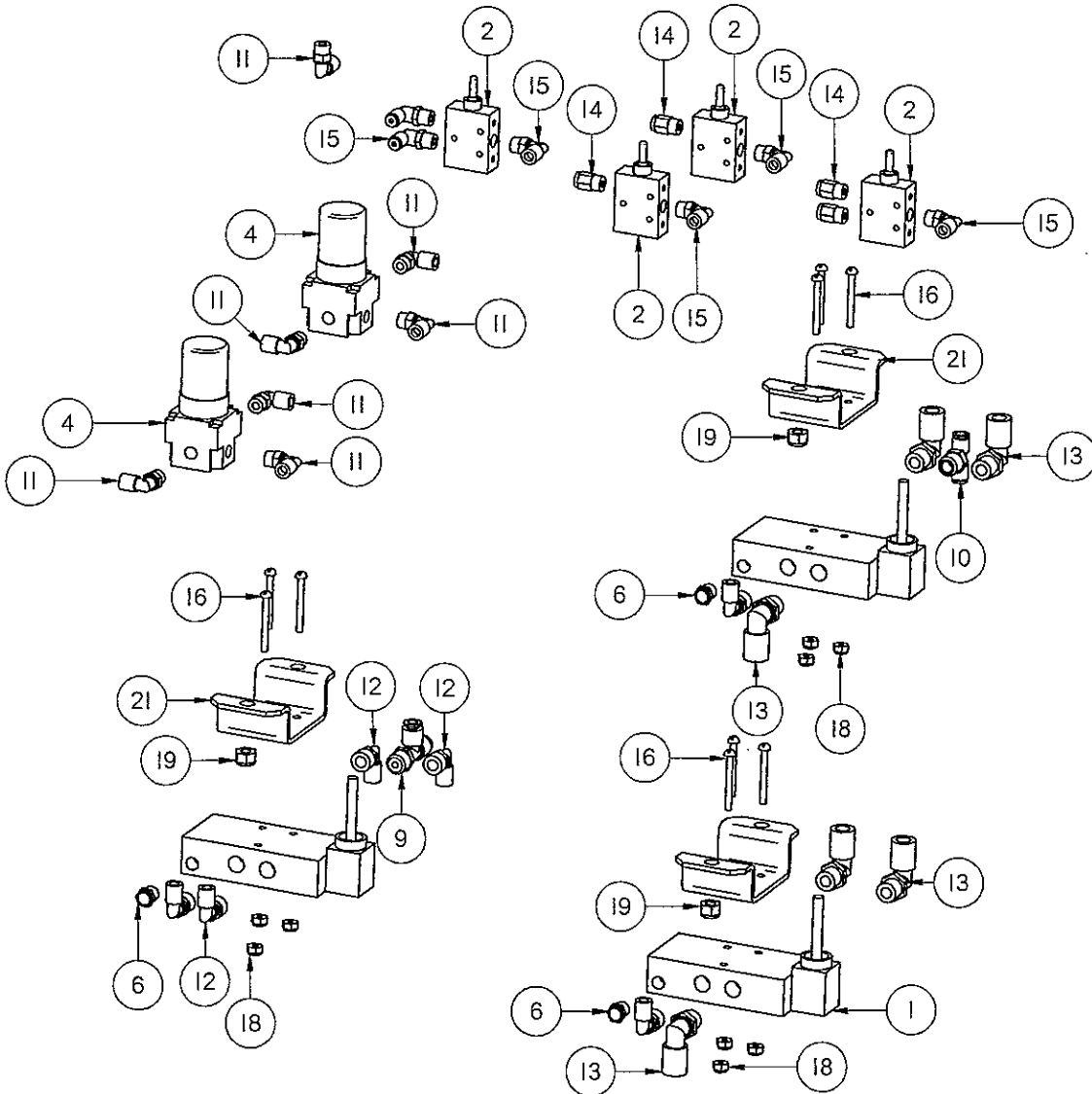
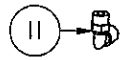
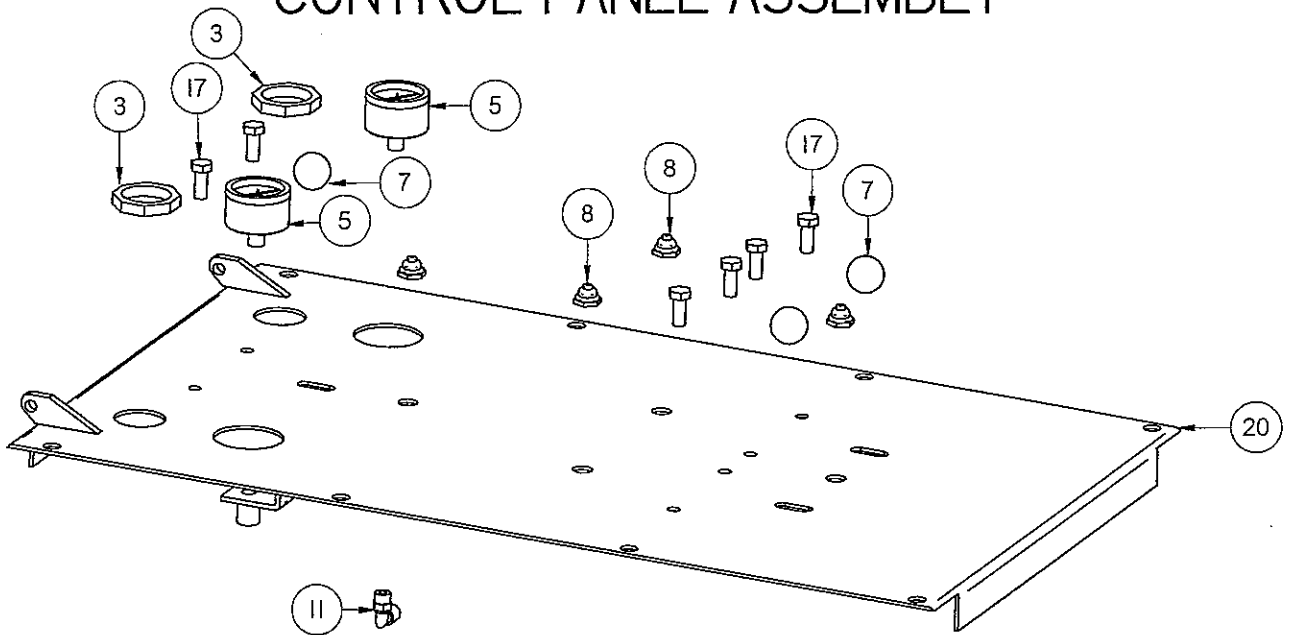
FNG814300-10

COUNTER WEIGHT ASSEMBLY

| Item Number | File Name | Quantity | Description |
|-------------|--------------|----------|---------------------------|
| 1 | 2540BLT.par | 4 | 3/8" X 1 1/4" BOLT |
| 2 | 2580IBLT.par | 2 | 1/2" X 8" BOLT |
| 3 | 2727NUT.par | 4 | 3/8" LOCKNUT |
| 4 | 2734NUT.par | 2 | 1/2" LOCKNUT |
| 5 | 2820IWAS.par | 8 | 3/8" HARDENED FLAT WASHER |
| 6 | MNF0528.asm | 1 | MAIN FRAME |
| 7 | SRS16264.par | 1 | OIL TANK |
| 8 | SRS16271.par | 3 | COUNTER WEIGHT LARGE |
| 9 | SRS16272.par | 1 | COUNTER WEIGHT SMALL |

FNG814300-10

CONTROL PANEL ASSEMBLY

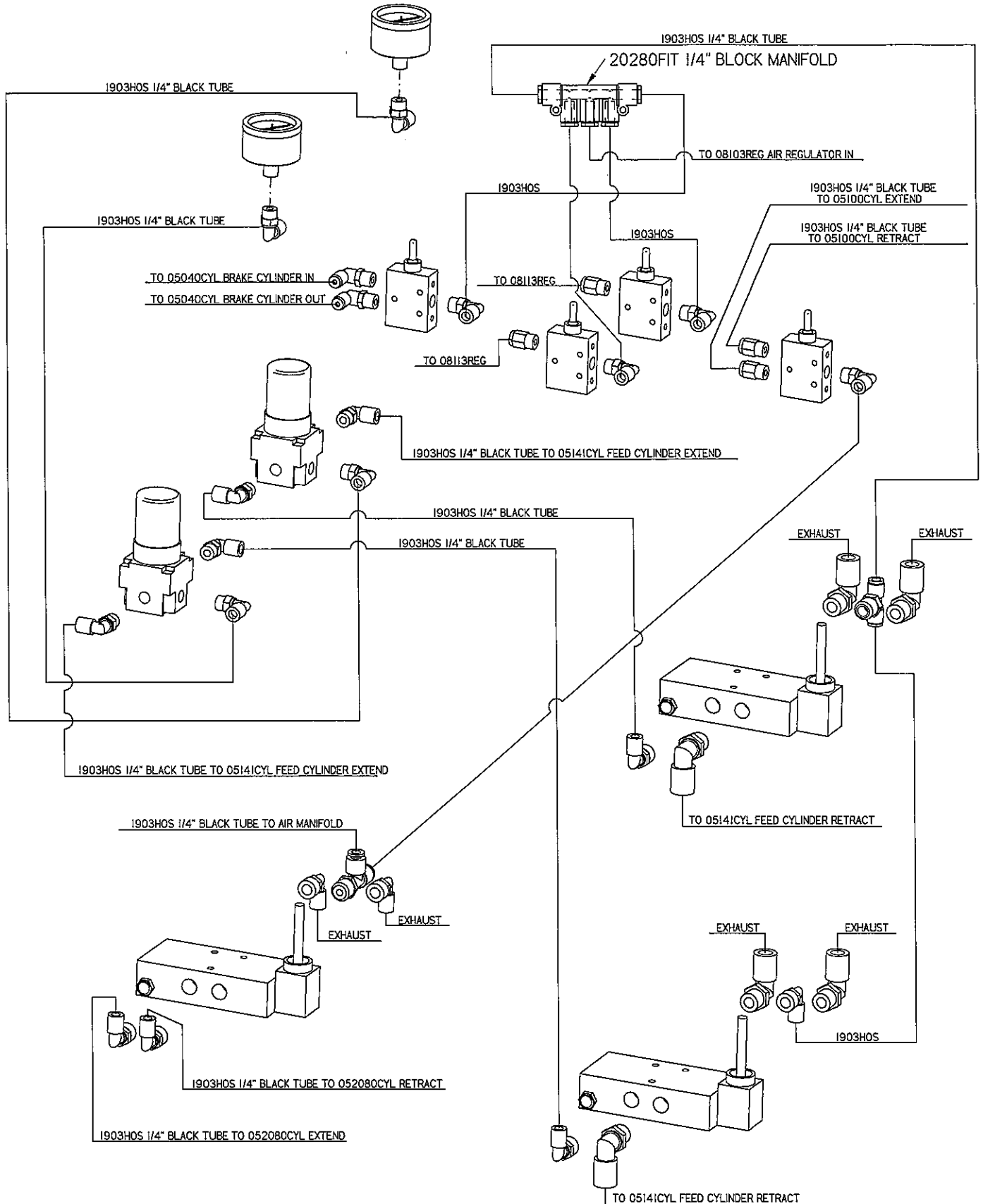


FNG814300-13

CONTROL PANEL ASSEMBLY

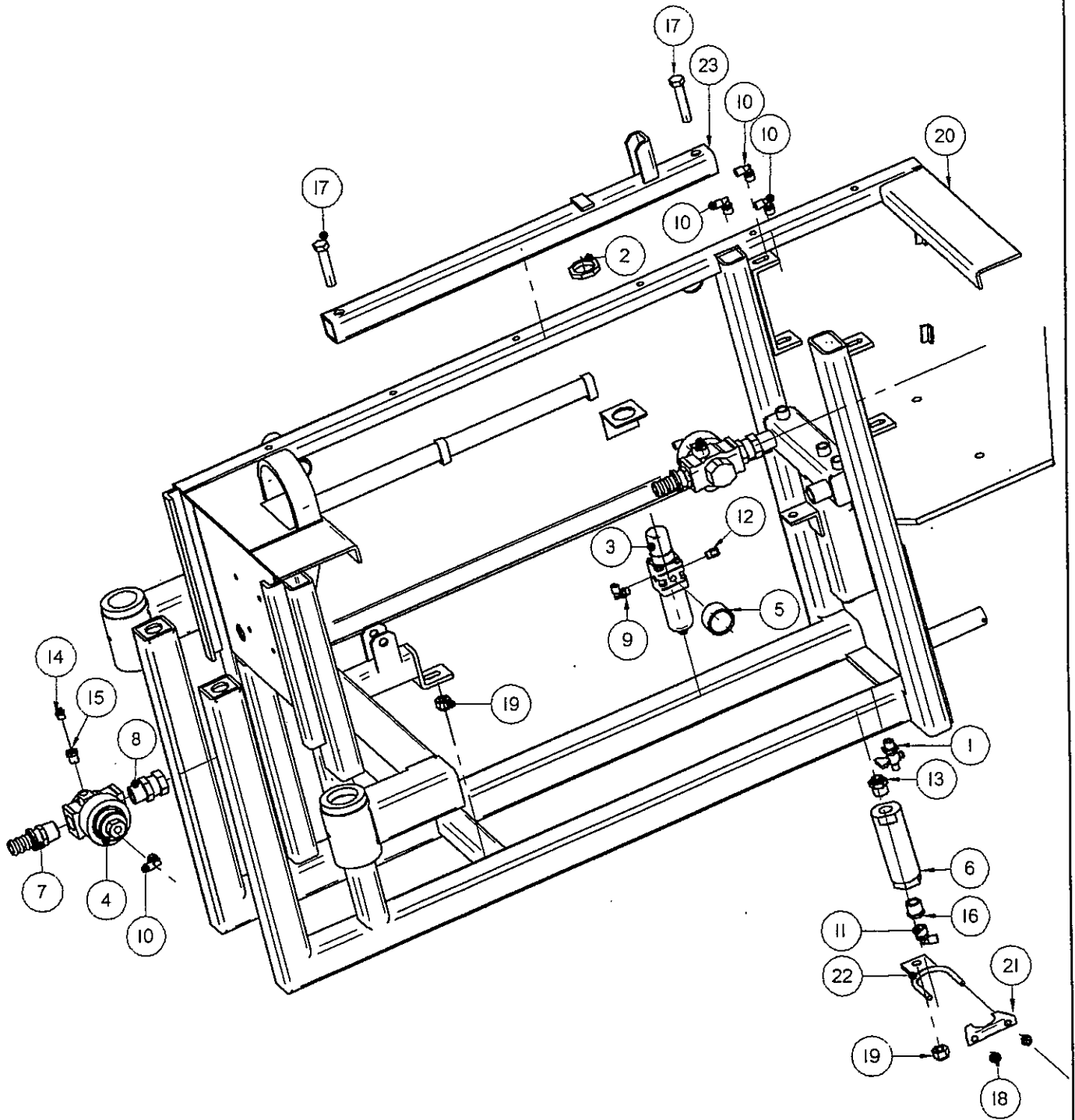
| Item Number | File Name | Quantity | Description |
|-------------|---------------|----------|--------------------------------|
| 1 | 060102VAL.par | 3 | 3 WAY POSITION VALVE WITH KNOB |
| 2* | 06095VAL.par | 4 | TOGGLE SWITCH |
| 3 | 081010REG.par | 2 | REGULATOR LOCK RING |
| 4 | 081010REG.par | 2 | REGULATOR WITH LOCK RING |
| 5 | 09022GAU.par | 2 | GAUGE 0-60 1/8" MPT |
| 6 | 1001BRV.par | 3 | 1/8" BREATHER VENT |
| 7 | 174201RPT.par | 3 | KNOB |
| 8 | 1828GRO.par | 4 | RED BOOT FOR 06095VAL |
| 9 | 2035FIT.par | 1 | 1/4" X 1/4" MALE RUN T |
| 10* | 2041FIT.par | 1 | 1/4" BRANCH T |
| 11 | 2050FIT.par | 12 | 1/4" TO 1/8" 90 DEG. FITTING |
| 12 | 2051FIT.par | 7 | 1/4" TO 1/4" 90 DEG. FITTING |
| 13 | 2053FIT.par | 6 | 3/8" TO 1/4" MALE 90 |
| 14* | 2066FIT.par | 4 | 1/4" TO 1/8" MALE CONNECTOR |
| 15 | 20751FIT.par | 2 | 1/8" X 1/8" 90 DEG. SWIVEL |
| 16 | 2478BLT.par | 9 | 8/32" X 1 1/2" BOLT |
| 17 | 2519BLT.par | 6 | 5/16" X 3/4" BOLT |
| 18 | 2712NUT.par | 9 | 8/32" NYLON LOCK NUT |
| 19 | 2719NUT.par | 3 | 5/16" NYLON LOCK NUT |
| 20 | PAN04080.par | 1 | CONTROL PANEL |
| 21 | SRUI3460.psm | 3 | VALVE SPACER |

CONTROL PANEL SCHEMATIC



FNG814300-13

INTERNAL REGULATOR ASSEMBLY



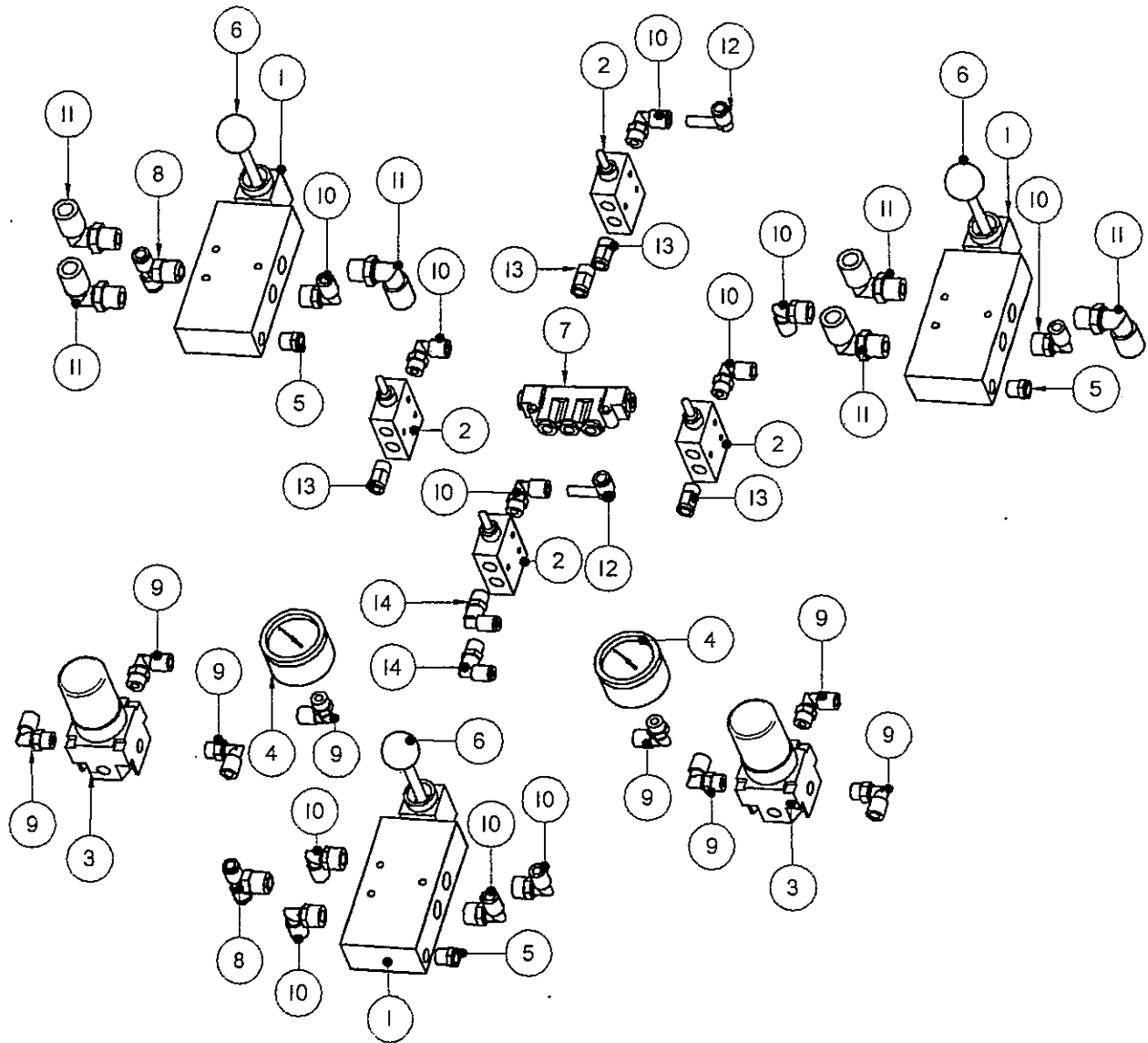
FNG814300-12

INTERNAL REGULATOR ASSEMBLY

| Item Number | File Name | Quantity | Description |
|-------------|--------------|----------|------------------------------|
| 1 | 06056VAL.par | 1 | BUTTERFLY BLEEDER VALVE |
| 2 | 08103REG.par | 1 | REGULATOR LOCK RING |
| 3 | 08103REG.par | 1 | 1/8" FILTER REGULATOR |
| 4 | 08113REG.par | 2 | 3/4" REGULATOR |
| 5 | 09023GAU.par | 1 | 0-160 GAUGE |
| 6 | 1006BRV.par | 1 | 1/2" HYDRAULIC FILTER |
| 7 | 1999FIT.par | 2 | 3/4" X 3/4" HOSE SWIVEL |
| 8 | 20010FIT.par | 2 | 3/4" SWIVEL CONNECTOR |
| 9 | 2050FIT.par | 1 | 1/4" TO 1/8" 90 DEG. FITTING |
| 10 | 2051FIT.par | 5 | 1/4" TO 1/4" 90 DEG. FITTING |
| 11 | 2052FIT.par | 1 | 1/4" TO 3/8" 90 DEG. FITTING |
| 12 | 2066FIT.par | 1 | 1/4" TO 1/8" MALE CONNECTOR |
| 13 | 2072FIT.par | 1 | 3/8" TO 1/2" MALE CONNECTOR |
| 14 | 20750FIT.par | 2 | 1/8" X 1/8" MALE FITTING |
| 15 | 20755FIT.par | 2 | 1/4" X 1/8" BUSHING |
| 16 | 20760PFT.par | 1 | 1/2" TO 3/8" REDUCER |
| 17 | 2564BLT.par | 2 | 1/2" X 2 1/2" BOLT |
| 18 | 2719NUT.par | 2 | 5/16" NYLON LOCK NUT |
| 19 | 2734NUT.par | 2 | 1/2" LOCKNUT |
| 20 | MNF0528.asm | 1 | MAIN FRAME |
| 21 | SRS16265.par | 1 | OIL FILTER BRACKET |
| 22 | SRS16265.par | 1 | OIL FILTER BRACKET |
| 23 | SRUI3041.par | 1 | STEERING SLIDE BAR |

FNG814300-12

AIR LINE SCHEMATIC



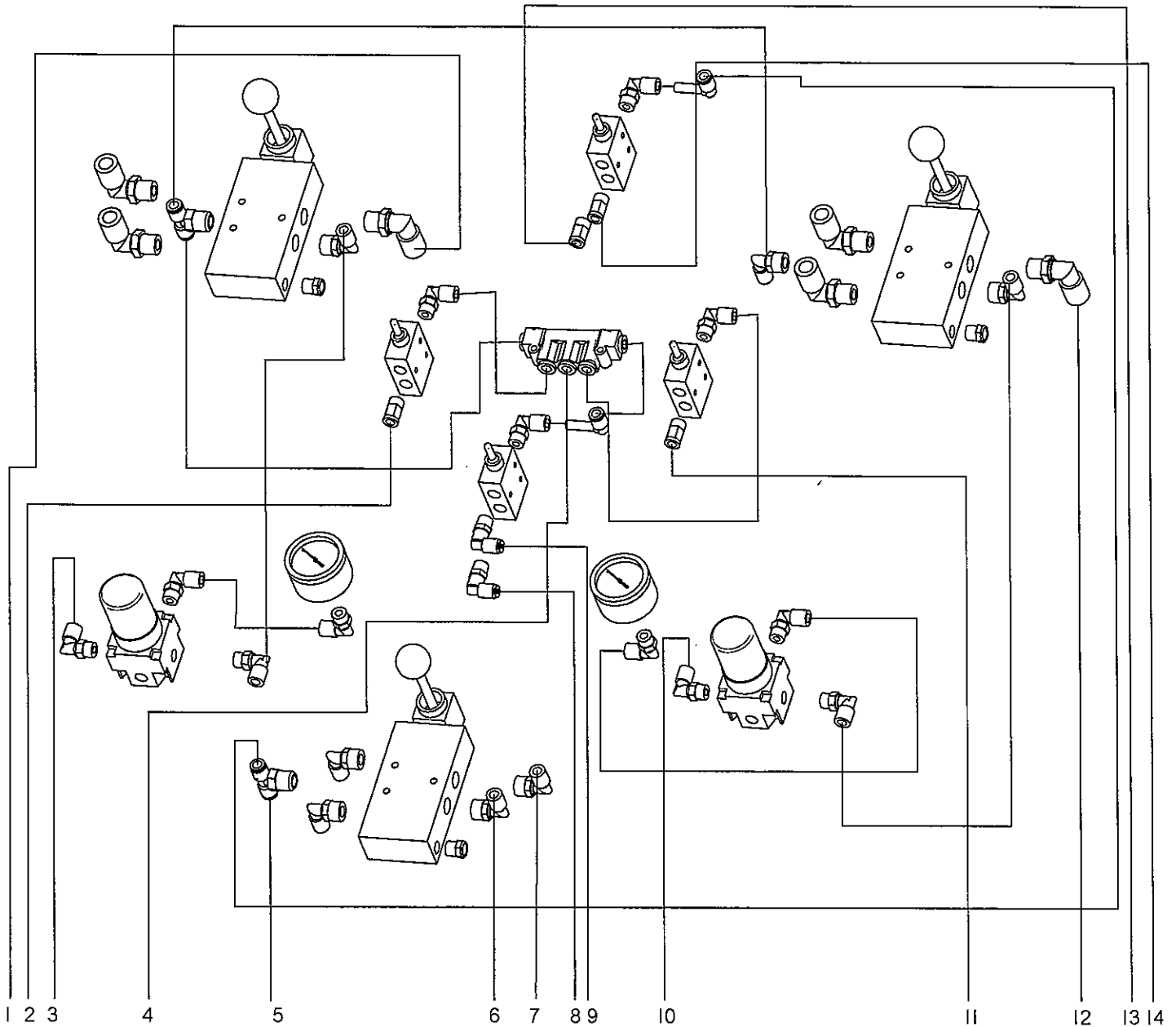
FNG814300-13

AIR LINE SCHEMATIC

| Item Number | File Name | Quantity | Description |
|-------------|---------------|----------|-------------------------------------|
| 1 | 060102VAL.par | 3 | 3 WAY POSITION VALVE |
| 2 | 06095VAL.par | 4 | TOGGLE SWITCH |
| 3 | 0810IREG.par | 2 | REGULATOR 0-125 MAX PSI. 1/8" PORTS |
| 4 | 09022GAU.par | 2 | GAUGE 0-60 1/8" MPT |
| 5 | 1001BRV.par | 3 | 1/8" BREATHER VENT |
| 6 | 17420IRPT.par | 3 | KNOB |
| 7 | 20280FIT.par | 1 | 1/4" BLOCK MANIFOLD |
| 8 | 2041FIT.par | 2 | 1/4" BRANCH T |
| 9 | 2050FIT.par | 12 | 1/4" TO 1/8" 90 DEG. FITTING |
| 10 | 2051FIT.par | 7 | 1/4" TO 1/4" 90 DEG. FITTING |
| 11 | 2053FIT.par | 6 | 3/8" TO 1/4" MALE 90 |
| 12 | 20580FIT.par | 2 | 1/4" PLUG IN ELBOW |
| 13 | 2066FIT.par | 4 | 1/4" TO 1/8" MALE CONNECTOR |
| 14 | 20751FIT.par | 2 | 1/8" X 1/8" 90 DEG. SWIVEL |

FNG814300-13

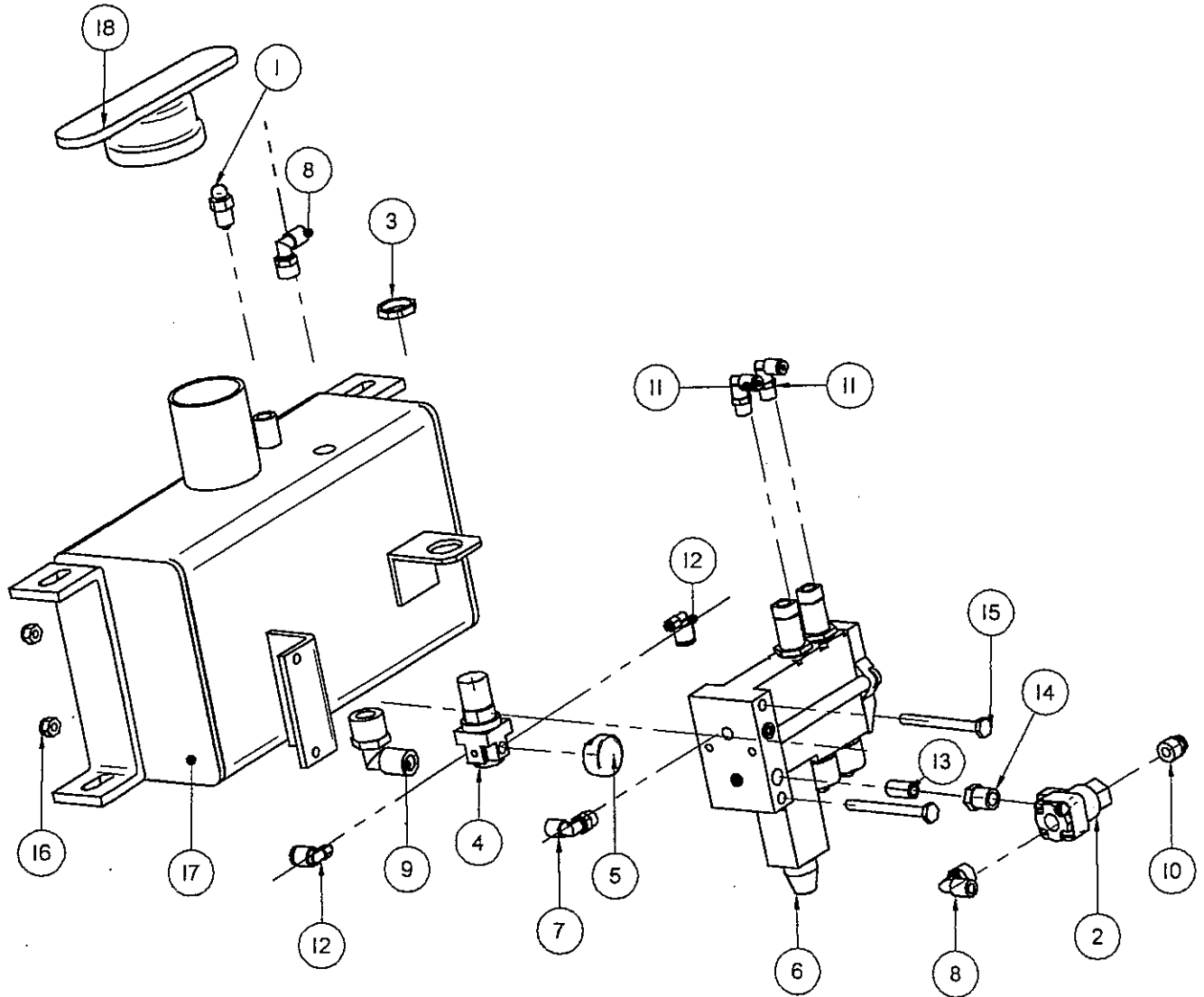
AIR LINE SCHEMATIC



- 1. TO 05141CYL FEED CYLINDER OUT
- 2. TO 08113REG REGULATOR
- 3. TO 05141CYL FEED CYLINDER IN
- 4. TO 08103REG AIR REGULATOR IN
- 5. TO AIR MANIFOLD
- 6. TO 052080CYL RAISE AND LOWER CYLINDER (RAISE)
- 7. TO 052080CYL RAISE AND LOWER CYLINDER (LOWER)
- 8. TO 05040CYL BRAKE CYLINDER IN
- 9. TO 05040CYL BRAKE CYLINDER OUT
- 10. TO 05141CYL FEED CYLINDER IN
- 11. TO 08113REG REGULATOR
- 12. TO 05141CYL FEED CYLINDER OUT
- 13. TO 050511CYL AUTO ALIGN CYLINDER IN
- 14. TO 050511CYL AUTO ALIGN CYLINDER OUT

FNG814300-13

OIL TANK ASSEMBLY



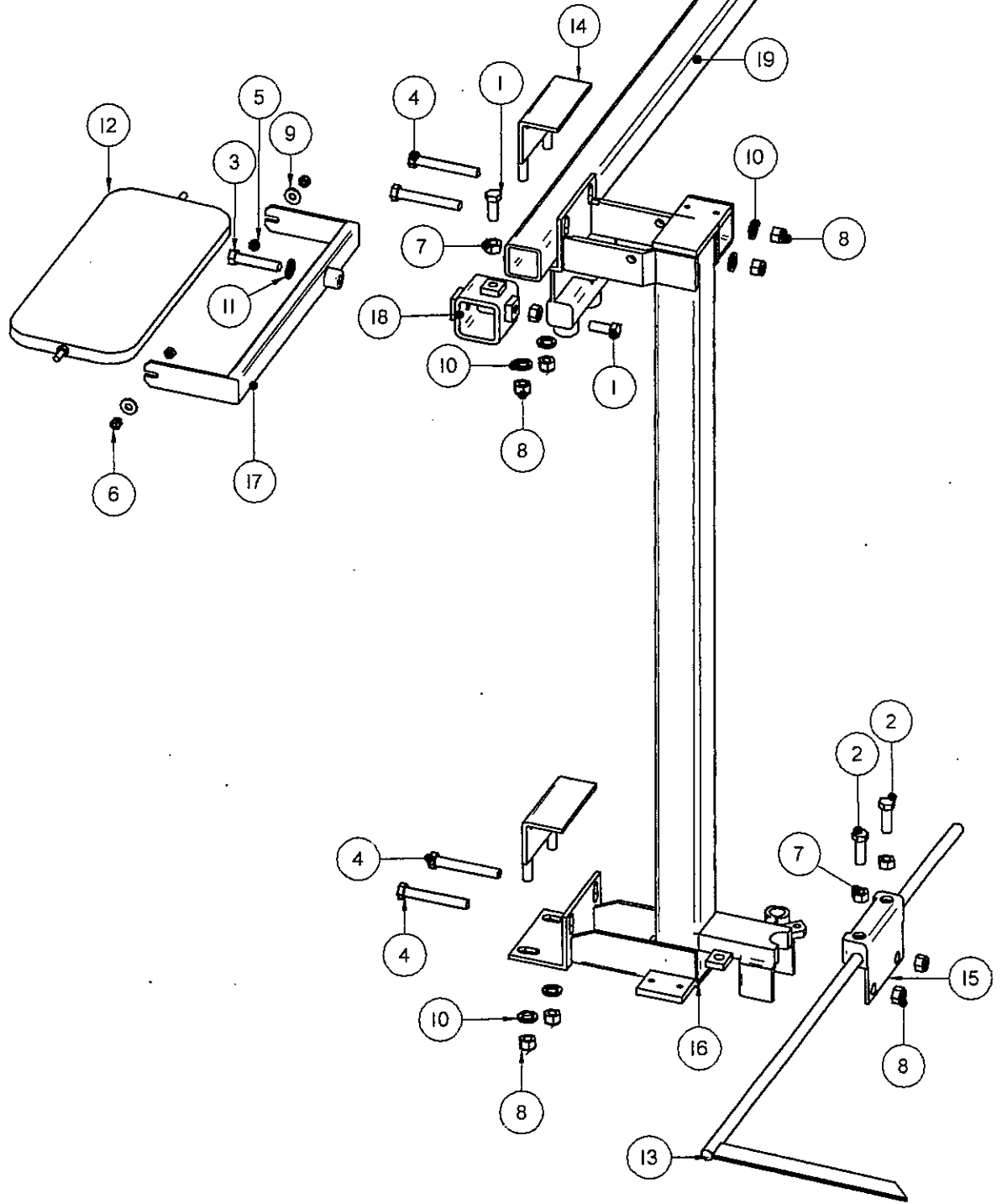
FNG814300-14

OIL TANK ASSEMBLY

| Item Number | File Name | Quantity | Description |
|-------------|--------------|----------|--------------------------------|
| 1 | 06055VAL.par | 1 | BUTTON BLEEDER VALVE |
| 2 | 06140VAL.par | 1 | SHUTTLE VALVE |
| 3 | 08108REG.par | 1 | LOCK RING FOR 08108REG |
| 4 | 08108REG.par | 1 | REGULATOR WITH 0-125 MAX PSI |
| 5 | 09024GAU.par | 1 | GAUGE 0-150 MAX PSI |
| 6 | 16071OIL.par | 1 | 2 BANK OILER |
| 7 | 2050FIT.par | 1 | 1/4" TO 1/8" 90 DEG. FITTING |
| 8 | 2051FIT.par | 2 | 1/4" TO 1/4" 90 DEG. FITTING |
| 9 | 2055FIT.par | 1 | 3/8" TO 1/2" 90 DEG. FITTING |
| 10 | 2067FIT.par | 1 | 1/4" TO 1/4" MALE CONNECTOR |
| 11 | 2075IFIT.par | 2 | 1/8" X 1/8" 90 DEG. SWIVEL |
| 12 | 20754FIT.par | 2 | 1/4" to 10/32" 90 DEG. FITTING |
| 13 | 2105PFT.par | 1 | 1/8" CLOSE NIPPLE |
| 14 | 21390PFT.par | 1 | 1/4" TO 1/8" REDUCER |
| 15 | 2509BLT.par | 2 | 1/4" X 2 1/2" BOLT |
| 16 | 2716NUT.par | 2 | 1/4" NYLON LOCK NUT |
| 17 | SRS16264.par | 1 | OIL TANK |
| 18 | SRS1648.par | 1 | OIL TANK CAP |

FNG814300-14

HOLE SPACEING GUIDE WITH MIRROR ASSEMBLY (OPTIONAL)



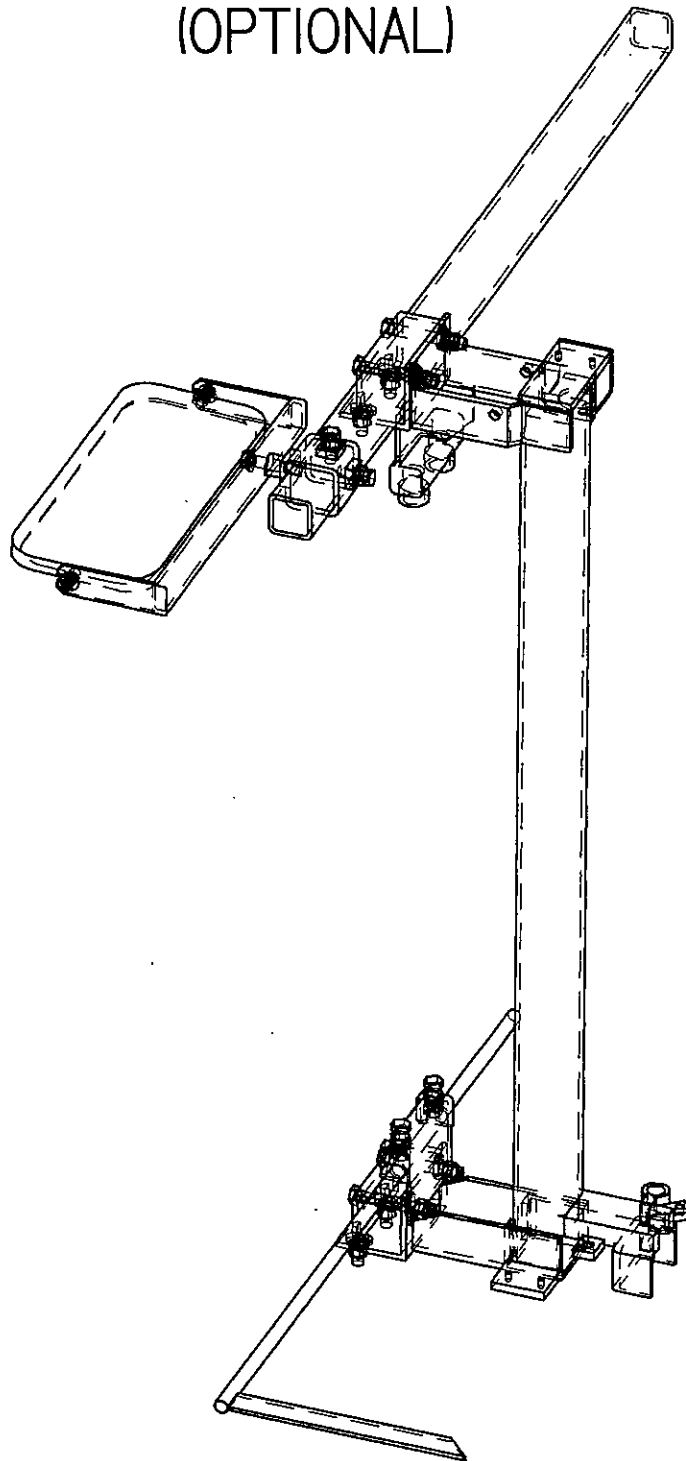
FNG814300-15

HOLE SPACING GUIDE WITH MIRROR ASSEMBLY (OPTIONAL)

| Item Number | File Name | Quantity | Description |
|-------------|--------------|----------|--------------------------------|
| 1 | 2560BLT.par | 2 | 1/2" X 1 1/4" BOLT |
| 2 | 2562BLT.par | 2 | 1/2" X 1 1/2" BOLT |
| 3 | 2564BLT.par | 1 | 1/2" X 2 1/2" BOLT |
| 4 | 2568BLT.par | 4 | 1/2" X 3 1/2" BOLT |
| 5 | 2717NUT.par | 2 | 5/16" STANDARD NUT |
| 6 | 2719NUT.par | 2 | 5/16" NYLON LOCK NUT |
| 7 | 2732NUT.par | 4 | 1/2" STANDARD NUT |
| 8 | 2734NUT.par | 8 | 1/2" LOCKNUT |
| 9 | 2800WAS.par | 2 | 5/16" FLAT WASHER |
| 10 | 2831WAS.par | 6 | 7/8"OD X 1/2"ID WASHER 10GA. |
| 11 | 2832WAS.par | 1 | 1/2" WASHER |
| 12 | 9008MIS.par | 1 | MIRROR |
| 13 | MFA0635.par | 1 | POINTER |
| 14 | MFA06420.par | 2 | 2" FEED BAR CLAMP |
| 15 | MFA0654.par | 1 | HOLE SPACING BRACKET |
| 16 | SRS16334.par | 1 | FEED BAR |
| 17 | SRS1668.par | 1 | MIRROR BRACKET |
| 18 | SRS16737.par | 1 | MIRROR BRACKET NO GUIDE WHEELS |
| 19 | SRUI318.par | 1 | OUTSIDE TOOL BAR |

FNG814300-15

HOLE SPACEING GUIDE WITH MIRROR ASSEMBLY (OPTIONAL)



FNG814300-15

ON GRADE CONVERSION KIT

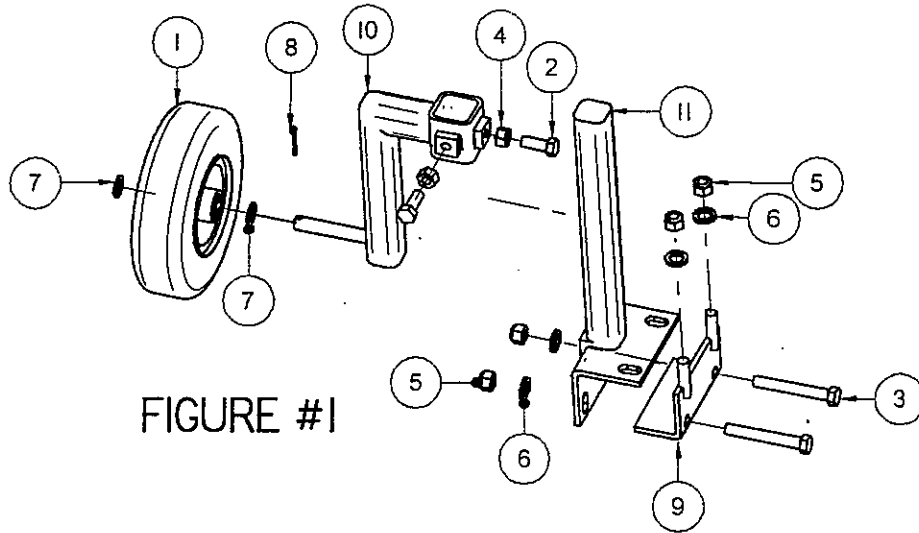


FIGURE #1

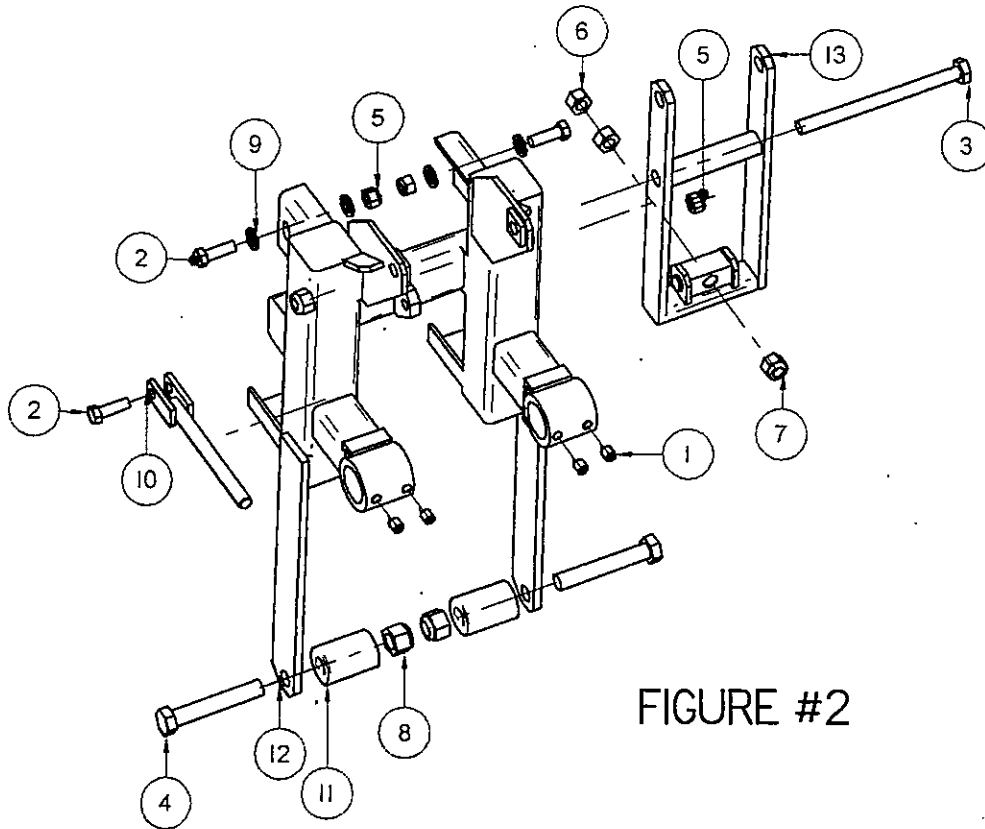


FIGURE #2

FNG814300-16

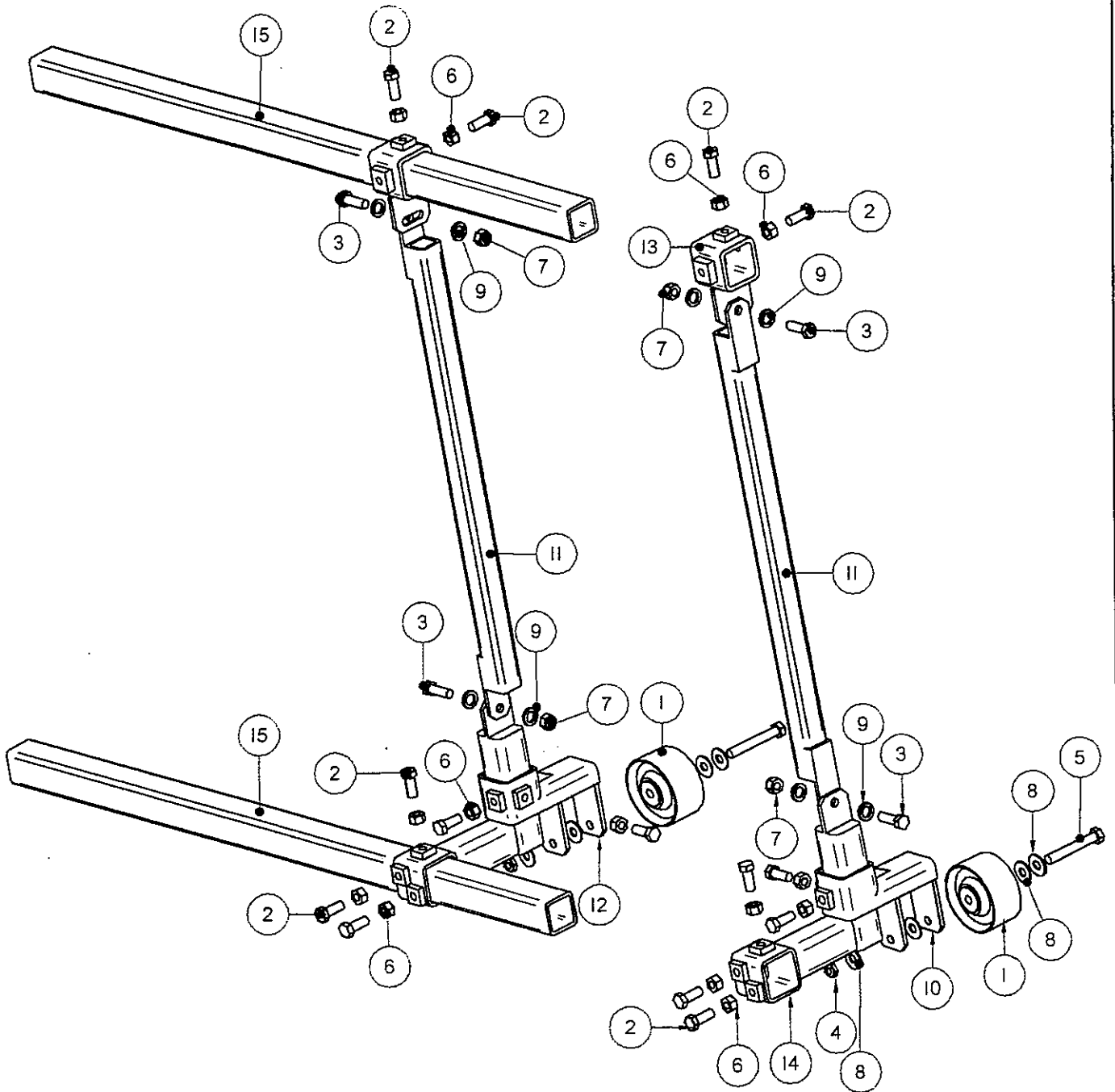
ON GRADE CONVERSION KIT

| Item Number | File Name | Quantity | Description |
|-------------|--------------|----------|-----------------------------------|
| 1 | 0201WHL.par | 1 | 8" WHEEL WITH 5/8" BORE |
| 2 | 2560BLT.par | 2 | 1/2" X 1 1/4" BOLT |
| 3 | 2568BLT.par | 2 | 1/2" X 3 1/2" BOLT |
| 4 | 2732NUT.par | 2 | 1/2" STANDARD NUT |
| 5 | 2734NUT.par | 4 | 1/2" LOCKNUT |
| 6 | 2831WAS.par | 4 | 7/8"OD X 1/2"ID WASHER 10GA |
| 7 | 2840WAS.par | 2 | 5/8" 14GA. WASHER |
| 8 | 3022IPIN.par | 1 | 1/8" X 1 1/4" COTTER PIN |
| 9 | MFA06420.par | 1 | 2" FEED BAR CLAMP |
| 10 | SRUI3351.par | 1 | SPINDLE ADJUSTER |
| 11 | SRUI3361.par | 1 | SPINDLE ADJUSTER MOUNTING BRACKET |

| Item Number | File Name | Quantity | Description |
|-------------|---------------|----------|--------------------------------------|
| 1 | 25590BLT.par | 4 | 1/2" X 1/2" 13 SET SCREW |
| 2 | 2562BLT.par | 3 | 1/2" X 1 1/2" BOLT |
| 3 | 2590BLT.par | 1 | 5/8" X 8" BOLT |
| 4 | 259907BLT.par | 2 | 3/4" X 2 1/2" BOLT |
| 5 | 2734NUT.par | 3 | 1/2" LOCKNUT |
| 6 | 2742NUT.par | 2 | 5/8" LOCKNUT |
| 7 | 2743NUT.par | 2 | 5/8" NYLON LOCK NUT |
| 8 | 2749NUT.par | 2 | 3/4" NYLON LOCK NUT |
| 9 | 2831WAS.par | 4 | 7/8"OD X 1/2"ID WASHER 10GA |
| 10 | SRS1661.par | 1 | ADJUSTABLE CLEVIS |
| 11 | SRS16620.par | 2 | BUSHING |
| 12 | SRUI3480.par | 1 | ON GRADE CONVERSION MAST |
| 13 | SRUI3490.asm | 1 | AUTO ALIGN PIVOT ON GRADE CONVERSION |

FNG814300-16

GUIDE WHEEL ASSEMBLY (OPTIONAL)



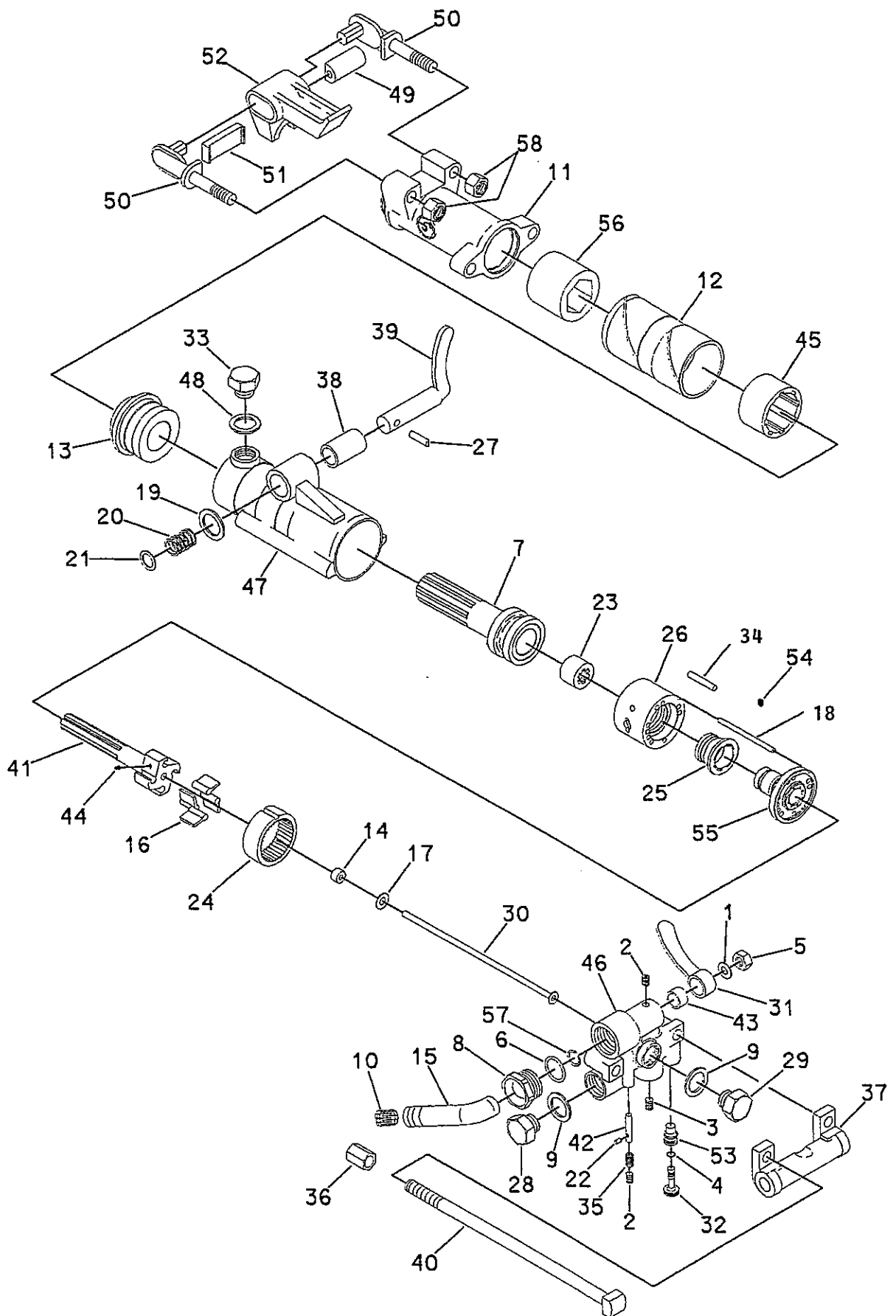
FNG 9504

GUIDE WHEEL ASSEMBLY (OPTIONAL)

| Item Number | File Name | Quantity | Description |
|-------------|---------------|----------|---------------------------------|
| 1* | 0214WHL.par | 2 | STEEL GUIDE WHEEL |
| 2* | 2560BLT.par | 14 | 1/2" X 1 1/4" BOLT |
| 3* | 2562BLT.par | 4 | 1/2" X 1 1/2" BOLT |
| 4* | 25675BLT.par | 2 | GREASE BOLT NUT |
| 5* | 25675BLT.par | 2 | GREASE BOLT |
| 6* | 2732NUT.par | 14 | 1/2" STANDARD NUT |
| 7* | 2734NUT.par | 4 | 1/2" LOCKNUT |
| 8* | 2830WAS.par | 8 | 1/2" WASHER |
| 9* | 2831WAS.par | 8 | 7/8"OD X 1/2"ID WASHER 10GA. |
| 10* | SRS1673.par | 1 | GUIDE WHEEL MOUNT RT. |
| 11* | SRS16730.par | 2 | GUIDE WHEEL SUPPORT ARM |
| 12* | SRS167300.par | 1 | GUIDE WHEEL MOUNT LT. |
| 13* | SRS16735.par | 2 | MIRROR BRACKET |
| 14* | SRS16736.par | 2 | GUIDE WHEEL BRACKET MOUNT SHORT |
| 15* | SRU1318.par | 2 | OUTSIDE TOOL BAR |

FNG 9504

CPO032A SINKER DRILL MODEL "L"

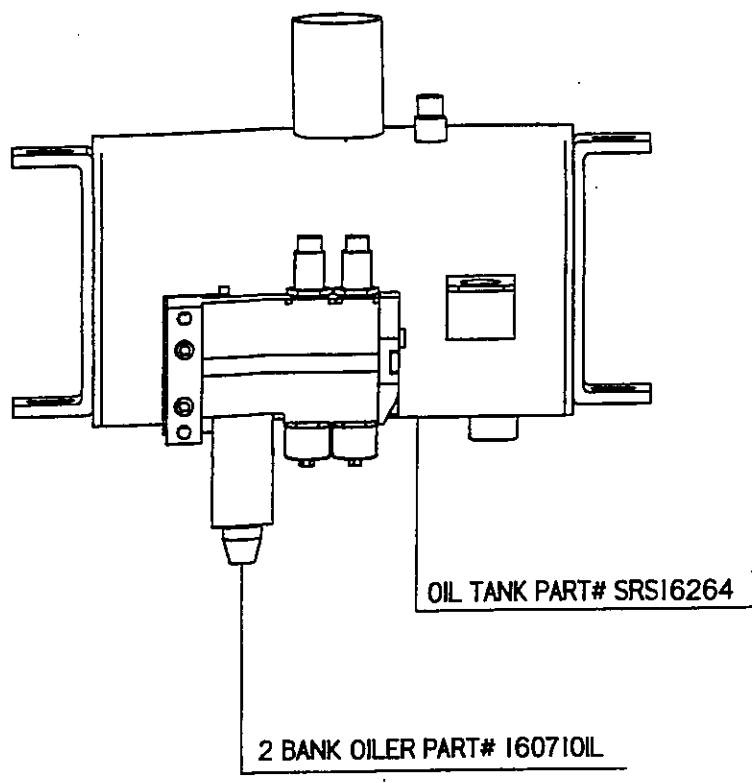


0101DRL-10

CP0032A SINKER DRILL MODEL "L"

| ITEM | PART NO | QTY | DESCRIPTION |
|------|---------|-----|--|
| 1. | C036717 | 1 | LOCKWASHER-VALVE HANDLE (1/2") |
| 2. | C068064 | 2 | PLUG-PIPE (1/8") |
| 3. | C068799 | 1 | PLUG-PIPE (1/4") |
| 4. | C079489 | 1 | O-RING (-008) |
| 5. | P002149 | 1 | NUT-HEX (THIN 1/2" - 20) |
| 6. | P103521 | 1 | O-RING (-128) |
| 7. | R000088 | 1 | PISTON |
| 8. | R000530 | 1 | NUT-AIR INLET SWIVEL |
| 9. | R000537 | 2 | GASKET-TUBE PLUG |
| 10. | R005584 | 1 | SCREEN-AIR INLET |
| 11. | R041320 | 1 | FRONTHEAD (7/8" HEX X 3-1/4") |
| | R041323 | 1 | FRONTHEAD (7/8" HEX X 4-1/4" & 1" HEX X 4-1/4") |
| 12. | R041321 | 1 | SLEEVE-CHUCK (7/8" HEX X 3-1/4") |
| | R041324 | 1 | SLEEVE CHUCK (7/8" HEX X 4-1/4" & 1" HEX X 4-1/4") |
| 13. | R042161 | 1 | BUSHING-CYLINDER |
| 14. | R075099 | 1 | RUBBER-AIR TUBE |
| 15. | R075265 | 1 | SWIVEL-AIR INLET |
| 16. | R075267 | 4 | PAWL |
| 17. | R075449 | 1 | WASHER-AIR TUBE |
| 18. | R075772 | 1 | PIN-VALVE CASE DOWEL |
| 19. | R075777 | 1 | WASHER-BLOWER VALVE |
| 20. | R075778 | 1 | SPRING-BLOWER VALVE |
| 21. | R075780 | 1 | WASHER-VALVE SPRING |
| 22. | R075802 | 1 | PIN-VALVE PLUNGER |
| 23. | R075839 | 1 | NUT-RIFLE BAR (STEEL) |
| | R075826 | 1 | NUT-RIFLE BAR (BRONZE) |
| 24. | R076194 | 1 | RING-RATCHET |
| 25. | R076263 | 1 | VALVE |
| 26. | R076264 | 1 | CASE-VALVE |
| 27. | R076266 | 1 | PIN-SPRING |
| 28. | R076372 | 1 | PLUG-WATER CONNECTION |
| 29. | R076793 | 1 | PLUG-AIR TUBE |
| 30. | R077184 | 1 | TUBE-AIR |
| 31. | R079124 | 1 | HANDLE-THROTTLE VALVE |
| 32. | R079130 | 1 | WATER VALVE PORT PLUG COMPLETE (INCL REF NO 4) |
| 33. | R085611 | 1 | PLUG-OIL (INCL REF NO 48) |
| 34. | R085625 | 1 | STEM-OIL REGULATING |
| 35. | R085671 | 1 | SPRING-VALVE PLUNGER |
| 36. | R085756 | 2 | NUT-THRU BOLT |
| 37. | R086608 | 1 | BRACKET-HANDLE |
| 38. | R086611 | 1 | BUSHING-BLOWER VALVE |
| 39. | R086612 | 1 | VALVE-BLOWER |
| 40. | R086623 | 2 | BOLT-THRU |
| 41. | R086622 | 1 | BAR-RIFLE |
| 42. | R086627 | 1 | PLUNGER-THROTTLE VALVE |
| 43. | R086628 | 1 | VALVE-THROTTLE |
| 44. | R086654 | 4 | SPRING-PAWL |
| 45. | R086733 | 1 | NUT-CHUCK ROTATION |
| 46. | R087948 | 1 | BACKHEAD (INCL REF NO 43) |
| 47. | R087990 | 1 | CYLINDER (INCL REF NO 38) |
| 48. | R091176 | 1 | GASKET-OIL PLUG |
| 49. | R093897 | 1 | BUFFER-RETAINER |
| 50. | R093896 | 2 | TRUNNION-RETAINER) |
| 51. | R093898 | 1 | RETAINER-LATCH SHOE |
| 52. | R093913 | 1 | RETAINER (7/8" HEX) |
| | R093895 | 1 | RETAINER (1" HEX) |
| 53. | R098054 | 1 | BUSHING-WATER VALVE |
| 54. | R098084 | 1 | PLUG-OIL REGULATING |
| 55. | R098085 | 1 | BUSHING-VALVE GUIDE |
| 56. | R099374 | 1 | CHUCK (7/8" HEX X 3-1/4") |
| | R093891 | 1 | CHUCK (7/8" HEX X 4-1/4") |
| | R093890 | 1 | CHUCK (1" HEX X 4-1/4") |
| 57. | R110317 | 1 | O-RING (.978 I.D.) |
| 58. | R005742 | 2 | NUT-ELASTIC STOP (5/8" -11) |

0101DRL-10



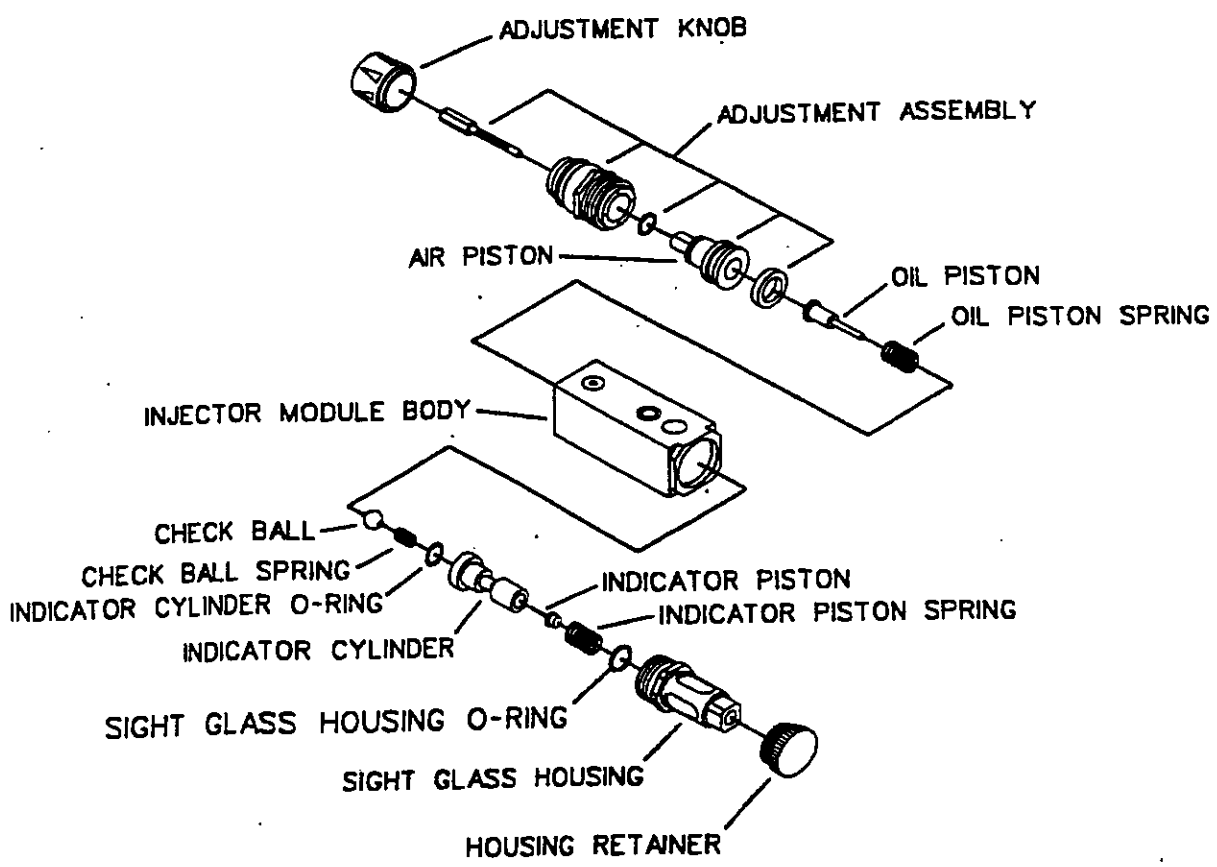
REPAIR KITS:

1757RPT

- OIL PISTON SPRING
- OIL PISTON
- ADJUSTMENT KNOB
- ADJUSTMENT ASSEMBLY

17570RPT

- INDICATOR CYLINDER
- INDICATOR CYLINDER O-RING
- INDICATOR PISTON
- INDICATOR PISTON SPRING
- CHECK BALL
- CHECK BALL SPRING
- HOUSING RETAINER
- SIGHT GLASS HOUSING
- SIGHT GLASS HOUSING O-RING



13. INSTRUCTIONS FOR INSTALLING "ON-GRADE CONVERSION KIT" FOR E-Z DRILL MODEL 210B-2 SRA

(Refer to "ON GRADE CONVERSION KIT" pages in Parts Book/Operators Manual)

To begin, the machine, which is set up in the "slab-rider" configuration, will have to have the drill systems dropped down in the horizontal position. Since the drill systems, in the horizontal position, will be below the wheels, you will either need to block up the wheels off the ground, or move the machine over to the edge of a concrete slab at least 9" thick.

Turn off air and disconnect the main air from the air compressor. Begin to disconnect entire drill systems assembly from the main frame assembly.

- (1) Disconnect all hoses and tubing at the drill systems.
- (2) Remove "raise and lower" cylinder (05209 CYL).
- (3) Remove both lower tool bars (2" square tube – SRU 1318) and upper tool bar (black round pipe – SRU 13190) and hinges (SRS 16351) by loosening all clamps (MFA 06420).
- (4) Where the upper tool bar was, install the bushings (SRS 16620).
- (5) Take the conversion mast (SRU 13480) and match up the "ears" on it to "ears" on the main frame mast; bolt it on.
- (6) Slide the upper tool bar (round black tube - SRU 13190) that was earlier removed through the bosses on the conversion mast and the hinges; tighten set screws (25590 BLT)

Move the main frame around to the other end of the feed systems.

- (1) Lower the mast (by turning the large nuts on top of the mast – loosen ½" bolts on the side of the mast first). Lower it down until you can slide the lower tool through the clamps on the feed systems (the one that is closest to the main frame) and the hinges (SRS 16351). Center it and tighten the clamps.

IMPORTANT: BE SURE TO CENTER THE CYLINDER MOUNT (SRU 15300) AND PLACE IT SO THAT IT IS POINTING STRAIGHT UP

- (2) Install "raise and lower" cylinder (05209 CYL)
- (3) Be sure that nuts on the adjustable clevis (SRS 1661) are backed away from the auto align pivot (SRU 13490) approximately 1" from either side. This lets the drill systems "float", allowing for changes in the subgrade and keeps the drill systems horizontal.
- (4) Connect all hoses and tubing

Install wheel assembly on to outer tool bar close to the center of the frame. This wheel will ride on top of the slab. Adjust the height of the wheel to level the drills. Also, adjust screw jack on main frame to level the other end of the drill systems. **IMPORTANT: Remember to loosen ½" bolts on side of the mast before adjusting screw jacks. Re-tighten after making the adjustment.**