

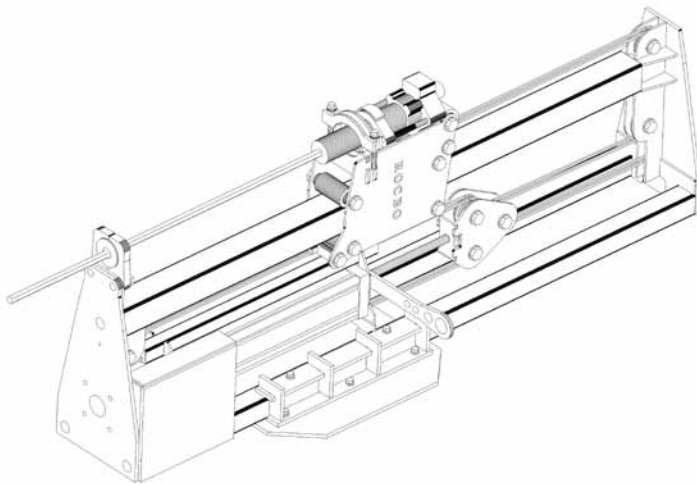
# Drill Mast BL-series



## Drill Mast BL-series

Pneumatic drill masts as attachment for (mini-) excavators or skid steer loaders.

Successful concrete and rock drilling projects require accurate planning and execution. Drilling in concrete and hard rock demands reliable technology and high-grade drilling equipment.



ROCBO supplies drilling equipment of the highest quality. Our BL-series drill masts has been developed in conjunction with everyday users. Their experience combined with our technical know-how has resulted in a robust and powerful product.

Available in standard sizes or custom made.

We will provide you with expert knowledge at the time of start-up, as well as training, technical support and maintenance.



### Drilling attachment

Total length	mm	2.000-3.200
Drill depth (single pass)	mm	1.200-2.400
Hole diameter	mm	16-102
Weight	kg	180-350
Feed swing		360°
Controls		Remote control

### Rock drill

		BBG SH-21	BBG CR-251L
Weight	kg	24	30
Length	mm	560	560
Shank size	mm	S22x82,5 S22x108 S26x108	S22x108 S26x108
Blows	1/s	45,7	53,0
Energy	Nm	43	60
Air consumption	l/s	35,0	48,5
Air pressure	bar	5-6	5-6
Flushing		air/water	air/water

### Carrier

(mini-) Excavator	ton	1-10
Skid steer loader	ton	1-4

### Accessories & options

Connector / quick connect for excavator	CW00-CW20
Pneumatic dust collector	1.2-1.7m <sup>3</sup> air
Air Compressor	3-5m <sup>3</sup> bij 6bar
Oiler for rock drill	LubroStar
Drill rods & drill bits	

## Drill Mast BL-series

### The models have the following outstanding characteristics:

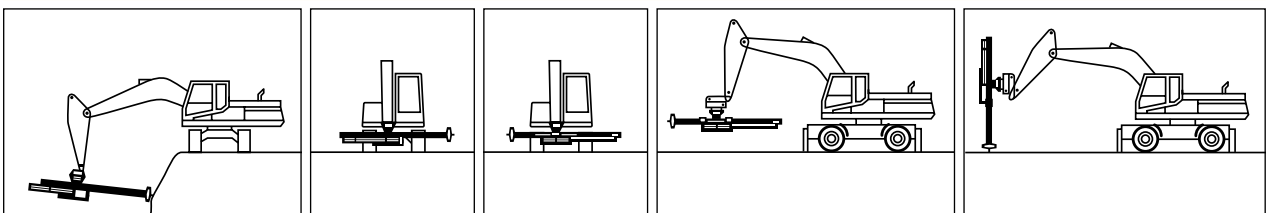
- Robust, compact modular design
- Full 360° rotation of the mast
- Excellent mobility, allows the drill to be used for almost all conceivable applications
- Entirely air powered; no hydraulic or electrical connections needed
- Dust free drilling with optional dust extraction or water flushing
- Great value for money

### Range of applications:

- Anchor hole drilling
- Dowel hole drilling
- Blast hole drilling
- High pressure injection drilling
- Drilling under water



**Large coverage due to the excavator boom and the 360° rollover mounted on the drill mast.**





**Haarlem • The Netherlands**  
**T. +31 (0)23 525 69 04 • [www.rocbo.com](http://www.rocbo.com)**